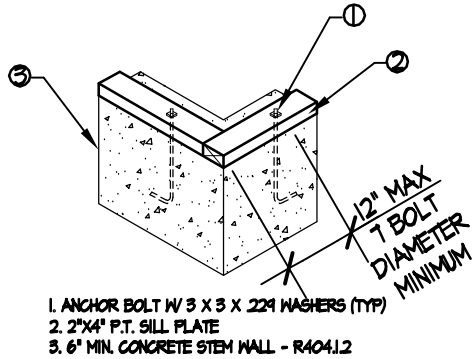


NOTES:

1. SLAB AT GARAGE FLOOR SHALL BE 3-1/2" THICK WITH 6 MIL BLACK VISQUEEN OVER COMPACTED FILL.
2. FOUNDATION PLATES SHALL BE BOLTED TO FOUNDATION WITH NOT LESS THAN 1/2" STEEL BOLTS EMBEDDED 7" MINIMUM INTO CONCRETE SPACED NOT MORE THAN 6' APART WITH AT LEAST TWO BOLTS PER PIECE. WASHERS ARE REQUIRED.
3. SEE FRAMING PLAN FOR STEEL REQUIREMENTS.
4. FOUNDATION VENTILATION SHALL BE 1/50 OF UNDER FLOOR AREA AND SHALL BE VENTED BY APPROVED MECHANICAL MEANS OR BY OPENINGS IN EXTERIOR PERIMETER WALL. OPENING SHALL BE LOCATED MAX. 3 FEET TO CORNERS AND ARRANGED TO PROVIDE CROSS VENTILATION ON AT LEAST TWO SIDES. THEY SHALL BE COVERED WITH CORROSION RESISTANT WIRE MESH 1/4" OPENINGS.

5. CRAWL SPACE UNDER FLOOR SHALL BE AT LEAST 18" AND A MINIMUM OF 12" UNDER BOTTOM OF GIRDERS. UNDER FLOOR AREA SHALL BE PROVIDED WITH A MINIMUM OF 18"X24" ACCESS HOLE.
6. PROVIDE A 6 MIL BLACK VAPOR BARRIER LAPPED A MINIMUM OF 12" AT EACH JOINT AND EXTEND UP TO THE FOUNDATION WALL W/SEC.
7. ALL WOOD IN CONTACT WITH CONCRETE SHALL BE PRESSURE TREATED WOOD OF ANY SPECIES ALL MARKED OR BRANDED BY APPROVED AGENCY.
8. DRYER TO BE VENTED SEPARATELY VENTED TO OUTSIDE.
9. PROVIDE PRESSURE RELIEF VALVE PIPE DRAIN OUTSIDE PIPE TO EXTEND WITHIN 12" ABOVE GROUND POINTING DOWN.
10. HOT WATER MUST MEET THE REQUIREMENT OF ASHRAE 90-A-80 AND BE SO LABELED.



1. ANCHOR BOLT W/ 3 X 3 X 224 WASHERS (TYP)
2. 2"x4" P.T. SILL PLATE
3. 6" MIN. CONCRETE STEM WALL - R404.2

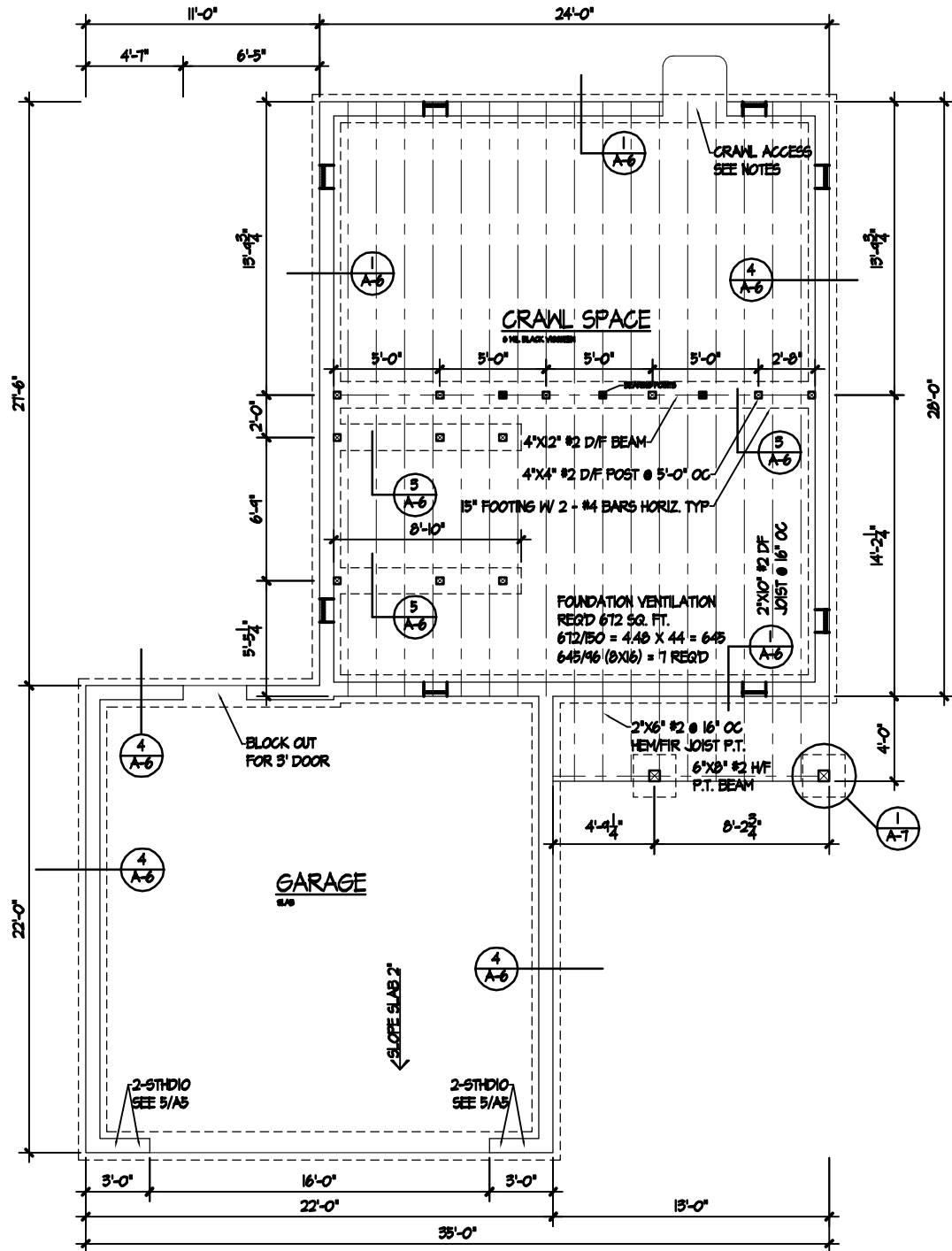
1 2"x4" SILL AND BOLTS DETAIL
A-5 SCALE: 3/4" = 1'-0"

WALL BRACING PANEL SCHEDULE

A	PLYWOOD/OSB 3/8"x4'x8'	6d NAILS 6" OC (EDGES) 12" OC (FIELD)
B	GWB - 1/2"x8'x8' (ONE FACE)	3d COOLER NAILS OR WALLBOARD NAILS T" OC THROUGHOUT
C	GWB - 1/2"x4'x8' (TWO FACES)	3d COOLER NAILS OR WALLBOARD NAILS T" OC THROUGHOUT
D	STRUCTURAL PANEL SIDING 5/8"x4'x8'	CORROSION RESISTANT 6d NAILS • 6" OC (EDGES) • 12" OC (FIELD)
E	ONE-STORY ALT. BRACED PANEL 5/8"x2'-6"x10' OR LESS	NAILING 8d • 6" OC (EDGES) 8d • 12" OC (FIELD) BLOCKING REQUIRED AT ALL EDGES 2 ANCHOR BOLTS PLACED AT QUARTER POINTS HOLDINGS - 1800# AT EACH END
F	TWO-STORY ALT. BRACED PANEL 5/8"x2'-6"x10' OR LESS PLYWOOD OR OSB (TWO FACES)	NAILING 8d • 6" OC (EDGES) 8d • 12" OC (FIELD) BLOCKING REQUIRED AT ALL EDGES 3 ANCHOR BOLTS PLACED AT FIFTH POINTS HOLDINGS - 3000# AT EACH END

GENERAL NOTES:
 BRACED WALL PANEL SOLE PLATES NAILED TO FLOOR AND TOP PLATES SHALL BE ANCHORED TO FRAMING ABOVE.
 WHERE JOISTS ARE PERPENDICULAR TO BRACED WALL LINES, PROVIDE BLOCKING UNDER AND IN LINE WITH BRACED WALL PANELS.

FOR ILLUSTRATION PURPOSES ONLY



FOUNDATION PLAN
 SCALE: 1/4" = 1'-0"