

# Snohomish County Drainage Manual

## Volume IV Source Control BMPs

Adapted from  
Stormwater Management Manual  
for Western Washington, Volume IV

Revised 2008  
Snohomish County

Adopted by  Date 8/18/08

Steven E. Thomsen, P.E., Director  
Department of Public Works

Adopted by  Date 8/15/08

Owen B. Carter, P.E.  
County Engineer

## **Second Acknowledgement**

---

Snohomish County acknowledges the use of text and material from the 2005 Stormwater Management Manual for Western Washington (Ecology Stormwater Manual) in developing this adapted version of Volume IV of the Ecology Stormwater Manual. This adapted version contains regulations, policies, and practices specific to Snohomish County, in order to allow equivalent implementation of the source control BMPs contained in Volume IV of the Ecology Stormwater Manual, in Snohomish County.



# Volume IV

## Source Control BMPs

### Table of Contents

Acknowledgements .....i  
 Second Acknowledgement ..... i-SC

Chapter 1 - Introduction To Volume IV ..... 1-1

Chapter 2 - Source Control BMPs Generally Required By  
 SCC Chapter 7.53 ..... 2-1

2.1 Prohibited Discharge Elimination..... 2-6  
 2.2 Spill Response and Reporting..... 2-8  
 2.3 Pollution Prevention in Storage Areas ..... 2-11  
 2.4 Pollution Prevention in Work Areas ..... 2-13  
 2.5 Source Control BMP Inspection / Maintenance ..... 2-15  
 2.6 Management..... 2-16  
 2.7 Additional Recommendations..... 2-18

Chapter 3 - Source Control BMPs Required By SCC 7.53 For  
 Specific Activities Or Land Uses ..... 3-1

3.1 BMPs for the Building, Repair, and Maintenance of Boats  
 and Ships..... 3-2  
 3.2 BMPs for Commercial Animal Handling Areas..... 3-3  
 3.3 BMPs for Commercial Composting ..... 3-4  
 3.4 BMPs for Commercial Printing Operations ..... 3-5  
 3.5 BMPs for Deicing and Anti-Icing Operations - Airports and  
 Aircraft..... 3-6  
 3.6 BMPs for Deicing and Anti-Icing Operations – Commercial  
 Parking Lots and Paved Areas ..... 3-8  
 3.7 BMPs for Dust Control at Unpaved Commercial or Industrial  
 Sites ..... 3-9  
 3.8 BMPs for Dust Control at Manufacturing Areas ..... 3-10  
 3.9 BMPs for Fueling At Dedicated Stations ..... 3-11  
 3.10 BMPs for Landscaping and Lawn/Vegetation Management at  
 Commercial Sites or Performed Commercially at Other Sites..... 3-12  
 3.11 BMPs for Loading and Unloading Areas for Liquid or Solid  
 Material ..... 3-15  
 3.12 BMPs for Log Sorting and Handling..... 3-18  
 3.13 BMPs for Maintenance and Repair of Vehicles and Equipment..... 3-19

3.14	BMPs for Maintenance of Public and Private Utility Corridors and Facilities .....	3-20
3.15	BMPs for Maintenance of Roadside Ditches .....	3-21
3.16	BMPs for Maintenance of Stormwater Drainage and Treatment Systems.....	3-22
3.17	BMPs for Manufacturing Activities - Outside .....	3-24
3.18	BMPs for Mobile Fueling of Vehicles and Heavy Equipment.....	3-25
3.19	BMPs for Painting/Finishing/ Coating of Vehicles/ Boats/ Buildings/ Equipment .....	3-28
3.20	BMPs for Parking and Storage of Vehicles and Equipment.....	3-29
3.21	BMPs for Railroad Yards .....	3-30
3.22	BMPs for Recyclers and Scrap Yards .....	3-31
3.23	BMPs for Roof/ Building Drains at Manufacturing and Commercial Buildings.....	3-32
3.24	BMPs for Soil Erosion and Sediment Control at Industrial Sites .....	3-33
3.25	BMPs for Spills of Oil and Hazardous Substances.....	3-34
3.26	BMPs for Storage of Liquid Waste, Food Waste, or Dangerous Waste Containers.....	3-36
3.27	BMPs for Storage of Liquids in Permanent Above-ground Tanks.....	3-38
3.28	BMPs for Storage or Transfer (Outside) of Solid Raw Materials, By-Products, or Finished Products.....	3-39
3.29	BMPs for Washing and Steam Cleaning Vehicles/ Equipment/ Building Structures.....	3-40
3.30	BMPs for Wood Treatment Facilities.....	3-41
3.31	BMPs for Swimming Pool and Spa Maintenance .....	3-42

**Chapter 4 - Additional Recommended Source Control BMPs For Specific Activities Or Land Uses..... 4-1**

4.1	BMPs for the Building, Repair, and Maintenance of Boats and Ships.....	4-2
4.2	BMPs for Commercial Animal Handling Areas.....	4-3
4.3	BMPs for Commercial Composting .....	4-4
4.4	BMPs for Commercial Printing Operations .....	4-5
4.5	BMPs for Deicing and Anti-Icing Operations - Airports and Aircraft.....	4-6
4.6	BMPs for Deicing and Anti-Icing Operations – Commercial Parking Lots and Paved Areas .....	4-7
4.7	BMPs for Dust Control at Unpaved Commercial Or Industrial Sites .....	4-8
4.8	BMPs for Dust Control at Manufacturing Areas .....	4-9
4.9	BMPs for Fueling At Dedicated Stations .....	4-10
4.10	BMPs for Landscaping and Lawn/Vegetation Management at Commercial Sites or Performed Commercially at Other Sites.....	4-11
4.11	BMPs for Loading and Unloading Areas for Liquid or Solid Material .....	4-17

4.12	BMPs for Log Sorting and Handling.....	4-18
4.13	BMPs for Maintenance and Repair of Vehicles and Equipment.....	4-19
4.14	BMPs for Maintenance of Public and Private Utility Corridors and Facilities .....	4-20
4.15	BMPs for Maintenance of Roadside Ditches .....	4-21
4.16	BMPs for Maintenance of Stormwater Drainage and Treatment Systems .....	4-22
4.17	BMPs for Manufacturing Activities - Outside .....	4-23
4.18	BMPs for Mobile Fueling of Vehicles and Heavy Equipment.....	4-24
4.19	BMPs for Painting/Finishing/ Coating of Vehicles/Boats/ Buildings/ Equipment.....	4-25
4.20	BMPs for Parking and Storage of Vehicles and Equipment.....	4-26
4.21	BMPs for Railroad Yards .....	4-27
4.22	BMPs for Recyclers and Scrap Yards .....	4-28
4.23	BMPs for Roof/ Building Drains at Manufacturing and Commercial Buildings.....	4-29
4.24	BMPs for Soil Erosion and Sediment Control at Industrial Sites .....	4-30
4.25	BMPs for Spills of Oil and Hazardous Substances.....	4-31
4.26	BMPs for Storage of Liquid Waste, Food Waste, or Dangerous Waste Containers.....	4-33
4.27	BMPs for Storage of Liquids in Permanent Above-ground Tanks.....	4-34
4.28	BMPs for Storage or Transfer (Outside) of Solid Raw Materials, By-Products, or Finished Products.....	4-35
4.29	BMPs for Washing and Steam Cleaning Vehicles/ Equipment/ Building Structures .....	4-36

**Chapter 5 - Source Control BMPs Required for New Development and  
Redevelopment..... 5-1**

<b>5.1</b>	<b>BMPs Required for Development Or Redevelopment At Commercial Or Industrial Facilities .....</b>	<b>5-2</b>
5.1.1	BMPs for Loading and Unloading Areas for Liquid or Solid Material..	5-2
5.1.2	BMPs for Manufacturing Activities Conducted Outside .....	5-5
5.1.3	BMPs for Parking and Storage of Vehicles and Equipment.....	5-7
5.1.4	BMPs for Storing Containers of Liquids, Food Waste, or Dangerous Waste.....	5-8
5.1.5	BMPs for Storing Liquids in Permanent Above-ground Tanks .....	5-10
5.1.6	BMPs for Outside Storage or Transfer of Solid Raw Materials, Byproducts, or Finished Products.....	5-12
5.1.7	BMPs for Washing and Steam Cleaning Vehicles, Equipment, and Building Structures .....	5-14

<b>5.2</b>	<b>BMPs for Specific Commercial or Industrial Facilities .....</b>	<b>5-18</b>
5.2.1	BMPs for the Building, Repair, and Maintenance of Boats and Ships.....	5-18
5.2.2	BMPs for Commercial Composting .....	5-19
5.2.3	BMPs for Fueling Stations .....	5-20
5.2.4	BMPs for Vehicle Recycling Facilities.....	5-23
5.2.5	BMPs for Motor Vehicle and Equipment Repair Facilities.....	5-24
5.2.6	BMPs for Wood Treatment Facilities.....	5-25

**Volume IV References..... Ref-1**

**Appendix IV-A Urban Land Uses and Pollutant Generating Sources..... A-1**

<b>A.1</b>	<b>Manufacturing Businesses.....</b>	<b>A-1</b>
	<i>Cement .....</i>	<i>A-1</i>
	<i>Chemicals Manufacturing.....</i>	<i>A-2</i>
	<i>Concrete Products .....</i>	<i>A-2</i>
	<i>Electrical Products .....</i>	<i>A-3</i>
	<i>Food Products.....</i>	<i>A-4</i>
	<i>Glass Products .....</i>	<i>A-5</i>
	<i>Industrial Machinery and Equipment, Trucks and Trailers, Aircraft, Aerospace, and Railroad .....</i>	<i>A-5</i>
	<i>Metal Products.....</i>	<i>A-6</i>
	<i>Paper and Pulp .....</i>	<i>A-7</i>
	<i>Paper Products .....</i>	<i>A-8</i>
	<i>Petroleum Products .....</i>	<i>A-8</i>
	<i>Printing .....</i>	<i>A-9</i>
	<i>Rubber and Plastic Products .....</i>	<i>A-9</i>
	<i>Ship and Boat Building and Repair Yards.....</i>	<i>A-10</i>
	<i>Wood Treatment.....</i>	<i>A-11</i>
	<i>Other Manufacturing Businesses.....</i>	<i>A-11</i>
<b>A.2</b>	<b>Transportation and Communication .....</b>	<b>A-12</b>
	<i>Airfields and Aircraft.....</i>	<i>A-12</i>
	<i>Maintenance.....</i>	<i>A-12</i>
	<i>Railroads.....</i>	<i>A-13</i>
	<i>Warehouses and Mini-Warehouses.....</i>	<i>A-13</i>
	<i>Other Transportation and Communication .....</i>	<i>A-13</i>
<b>A.3</b>	<b>Retail and Wholesale Businesses .....</b>	<b>A-14</b>
	<i>Gas Stations .....</i>	<i>A-14</i>
	<i>Recyclers and Scrap Yards .....</i>	<i>A-14</i>
	<i>Commercial Composting .....</i>	<i>A-14</i>
	<i>Restaurants/Fast Food.....</i>	<i>A-14</i>
	<i>Retail/General Merchandise.....</i>	<i>A-14</i>
	<i>Retail/Wholesale Vehicle and Equipment Dealers .....</i>	<i>A-14</i>
	<i>Retail/Wholesale Nurseries and Building Materials .....</i>	<i>A-15</i>

	<i>Retail/Wholesale Chemicals and Petroleum</i> .....	A-15
	<i>Retail/Wholesale Foods and Beverages</i> .....	A-15
	<i>Other Retail/Wholesale Businesses</i> .....	A-16
<b>A.4</b>	<b>Service Businesses</b> .....	<b>A-16</b>
	<i>Animal Care Services</i> .....	A-16
	<i>Commercial Car and Truck Washes</i> .....	A-16
	<i>Equipment Repair</i> .....	A-17
	<i>Laundries and Other Cleaning Services</i> .....	A-17
	<i>Marinas and Boat Clubs</i> .....	A-17
	<i>Golf and Country Clubs</i> .....	A-18
	<i>Miscellaneous Services</i> .....	A-18
	<i>Professional Services</i> .....	A-18
	<i>Vehicle Maintenance and Repair</i> .....	A-19
	<i>Multi-Family Residences</i> .....	A-19
	<i>Construction Businesses</i> .....	A-19
<b>A.5</b>	<b>Public Agency Activities</b> .....	<b>A-20</b>
	<i>Public Facilities and Streets</i> .....	A-20
	<i>Maintenance of Open Public Space Areas</i> .....	A-20
	<i>Maintenance of Public Stormwater Pollutant Control Facilities</i> .....	A-20
	<i>Water and Sewer Districts and Departments</i> .....	A-21
	<i>Port Districts</i> .....	A-22

**Appendix IV-B Stormwater Pollutants and Their Adverse Impact.....B-1**

**Appendix IV-C Recycling/Disposal of Vehicle Fluids/Other Wastes\* ..... C-1**

**Appendix IV-D Regulatory Requirements That Impact Stormwater Programs ..... D-1**

	<i>R.1 Stormwater Discharges to Public Sanitary Sewers, Septic Systems, Dead-End Sumps, and Industrial Waste Treatment Systems</i> .....	D-1
	<i>R.2 Uniform Fire Code Requirements</i> .....	D-3
	<i>R.3 Ecology Requirements for Generators of Dangerous Wastes</i> .....	D-3
	<i>R.4 Minimum Functional Standards For Containers</i> .....	D-3
	<i>R.5 Coast Guard Requirements For Marine Transfer of Petroleum Products</i> .....	D-3
	<i>R.6 Washington State/Federal Emergency Spill Cleanup Requirements</i> .....	D-4
	<i>R.7 WSDA Pesticide Regulations</i> .....	D-5
	<i>R.8 Air Quality Regulations</i> .....	D-6
	<i>R.9 Ecology Waste Reduction Program</i> .....	D-7
	<i>R.10 Washington State Ground Water Quality Standards</i> .....	D-8



**Appendix IV-E NPDES Stormwater Discharge Permits.....E-1**

**Summary: .....E-1**

    What Does The Baseline General Permit Require Industries To Do?.....E-5

    Municipalities May Have To Apply for an Industrial Stormwater Permit .....E-6

    NPDES Permit Program for Municipal Stormwater Discharges .....E-7

**Appendix IV-F Example of an Integrated Pest Management Program .....F-1**

**The Integrated Pest Management Process .....F-2**

    Step One: Correctly identify problem pests and understand their life cycle. .... F-2

    Step Two: Establish tolerance thresholds for pests..... F-2

    Step Three: Monitor to detect and prevent pest problems. .... F-2

    Step Four: Modify the maintenance program to promote healthy plants  
                    and discourage pests. .... F-2

    Step Five: If pests exceed the tolerance thresholds ..... F-2

    Step Six: Evaluate and record the effectiveness of the control, and modify  
                    maintenance practices to support lawn or landscape recovery and  
                    prevent recurrence..... F-3

**Appendix IV-G Recommendations for Management of Street Wastes ..... G-1**

    Introduction..... G-1

    Street Waste Solids ..... G-2

    Street Waste Liquids ..... G-10

    Site Evaluation ..... G-15

    Resource Materials – Management of Street Wastes ..... G-17

## Tables

Table 2.1 – Source Control BMPs Required For Different Properties Or Activities.....	2-3
Table 2.2 - Sample Stormwater Pollution Prevention Task Assignment Sheet .....	2-16
Table G.1 - Typical TPH Levels in Street Sweeping and Catch Basin Solids.....	3
Table G.2 - Typical c-PAH Values in Street Waste Solids and Related Materials.....	4
Table G.3 - Typical Metals Concentrations in Catch Basin Sediments .....	4
Table G.4 - Recommended Parameters and Suggested Values for Determining Reuse & Disposal Options .....	7
Table G.5 - Recommended Sampling Frequency for Street Waste Solids .....	8
Table G.6 - Pollutants in Catch Basin Solids – Comparison to Dangerous Waste Criteria.....	8
Table G.7 - Typical Catch Basin Decant Values Compared to Surface Water Quality Criteria.....	13
Table G.8 - Typical Values for Conventional Pollutants in Catch Basin Decant .....	14
Table G.9 - Catch Basin Decant Values Following Settling <sup>1</sup> .....	14

## Figures

Figure 3.1 – Drip Pan .....	3-15
Figure 3.2 – Drip Pan Within Rails .....	3-16
Figure 3.3 – Secondary Containment System .....	3-36
Figure 3.4 – Locking System for Drum Lid.....	3-37
Figure 5.1 – Loading Dock with Door Skirt.....	5-3
Figure 5.2 – Loading Dock with Overhang.....	5-3
Figure 5.3 – Enclose the Activity .....	5-5
Figure 5.4 – Cover the Activity .....	5-6
Figure 5.5 – Covered and Bermed Containment Area .....	5-9
Figure 5.6 – Mounted Container - with drip pan.....	5-9
Figure 5.7 – Above-ground Tank Storage.....	5-11
Figure 5.8 – Covered Storage Area for Bulk Solids (include berm if needed) .....	5-13
Figure 5.9 – Uncovered Wash Area .....	5-16
Figure 5.10 -- Additional BMP for Vehicles 10 feet in height or greater .....	5-21

(This page intentionally left blank)

# Chapter 1 - Introduction To Volume IV

---

Snohomish County regulates water pollution primarily by two codes: Snohomish County Code (SCC) Chapter 7.53 – Water Pollution Control, and SCC Chapter 30.63A – Drainage. Each of these codes directs the use of certain chapters of this volume.

SCC Chapter 7.53, generally speaking, prohibits illicit connections and discharges that could cause water pollution, and requires implementation of pollution-preventing “best management practices,” or “BMPs,” in a wide variety of circumstances. SCC Chapter 7.53 defines “best management practices” or “BMPs” as “physical objects, structures, managerial practices, or behaviors, that when used singly or in combination, eliminate or reduce the introduction of contaminants to stormwater, receiving waters, or groundwater.” That code chapter defines “source control best management practices” or “source control BMPs” as “structures, equipment, supplies, or operations that are intended to prevent pollutants from coming into contact with stormwater through physical separation of areas or careful management of activities that are sources of pollutants.”

Chapter 2 of this volume contains detailed information about the source control BMPs required by SCC Chapter 7.53 for all activities to which that code applies.

Chapter 3 of this volume contains additional pollution source control measures required by SCC 7.53 for specific activities, facilities, and types of sites.

Chapter 4 contains additional recommendations and information for certain activities that may be performed at a wide variety of sites. These recommendations and information are not directly required by SCC Chapter 7.53, but may be required through enforcement of that code if polluted discharges occur.

Chapter 5 of this volume contains source control BMPs that must be implemented in the new development or redevelopment of a wide variety of commercial or industrial facilities, in accordance with the requirements of SCC Chapter 30.63A.

This volume also contains appendices that were reprinted or adapted from the Department of Ecology 2005 Stormwater Management Manual for Western Washington. The appendices to this volume contain more detailed information on selected topics. In particular, Appendix IV-A lists common pollutant sources associated with specific businesses and public agencies. These appendices are not invoked directly by Snohomish County code, but may be of use to site owners or operators in determining potential pollution sources and appropriate BMPs. The appendices may also be used by Snohomish County to determine requirements for additional BMPs if the operational BMPs set forth in Chapters 2 and 3 do not prevent prohibited discharges.

Site owners or operators may also refer to the Snohomish Health District publication *Navigating the Regulatory Maze: a Business Guide to Hazardous Waste Handling*, for more information and guidance, which may be found at: <http://www.snohd.org/snoEnvHealth/swt/Navagating/navindex.htm>

The site owners or operators are ultimately responsible for compliance with the applicable federal, state or local regulations, and should contact Snohomish Health District (425-339-5250) for information on meeting solid or hazardous waste handling requirements.

(This page intentionally left blank)

## Chapter 2 - Source Control BMPs Generally Required By SCC Chapter 7.53

---

Generally speaking, SCC Chapter 7.53 prohibits discharges to streams, lakes, groundwater, or the County's storm sewer if the discharges are not completely composed of stormwater or contain contaminants as defined in that code. Examples of prohibited discharges include discharges from:

- washing vehicles, equipment, or buildings;
- steam cleaning equipment, engines, parts;
- inappropriate manure storage and application;
- fertilizer or pesticide applications;
- inadequate implementation of temporary sediment and erosion control measures;
- illicit connections to the storm drainage conveyance;
- failing septic systems or drainfields;
- fire fighting drills; and
- inappropriate storage, containment or disposal of solid and liquid wastes.

SCC Chapter 7.53.120 requires any person storing or using materials that may contain contaminants in a manner that could result in prohibited discharges to implement the source control BMPs described in this chapter. The terms "contaminant" and "prohibited discharge" are defined in SCC Chapter 7.53.

These requirements apply to any person performing these activities, regardless of zoning, other land use attributes, or whether the activity is commercial in nature. However, the code requirements are triggered only if the activities are performed such that prohibited discharges could occur. This may depend on the scale of the activity, the size of the site, the type of site, where on the site the activity is performed, etc. For example, fueling a single lawnmower in the middle of a residential lawn is unlikely to result in a prohibited discharge of gasoline to the storm sewer or adjacent receiving waters, due to the amount of fuel used, distance from the property line or receiving waters, and the fact that the minor amount of possible gasoline spillage would be adsorbed by the soil. In this case, no source control BMPs are necessary. On the other hand, fueling a fleet of lawnmowers on a paved driveway near a public street or a catch basin would have a much higher likelihood of causing a prohibited discharge, and thus would require source control BMPs. Note that these BMPs in this example are required regardless of whether the property is zoned residential or commercial, or whether the lawnmowers are used as part of a business on or off the property.

Snohomish County recognizes that not all of the BMPs need to be implemented at all types of properties or activities, and thus has designated three categories of properties or activities:

- commercial activities or properties with one or more employees;
- commercial activities or properties with one employee; and
- non-commercial activities performed at residential properties.

Table 2.1 indicates the source control BMPs that are required for each of these categories. For example, a spill kit and posted spill plan are only required for a commercial activity with more than one employee. If the activity performed at a residential property is commercial in nature (such as an automobile repair shop conducted as a home occupation), a spill kit and posted spill plan are required.

If the source control BMPs described in this chapter and Chapter 3 are not sufficient to prevent prohibited discharges, SCC Chapter 7.53 requires the implementation of additional or more stringent BMPs as set forth in the Snohomish County Drainage Manual, or equivalent BMPs as allowed by the director of the Department of Planning and Development Services. These BMPs may include the source control BMPs described in Chapters 4 or 5 of this volume, erosion and sedimentation control BMPs described in Volume 2, flow control BMPs described in Volume 3, or treatment BMPs described in Volume 5.

For many properties and activities, the source control BMPs set forth in Chapters 2 and 3 of this volume will be the simplest and cheapest ways to prevent violations of SCC Chapter 7.53. However, SCC Chapter 7.53 provides Snohomish County the authority to require implementation of structural source control or treatment BMPs in lieu of the BMPs in Chapter 2. Conversely, a person responsible for a discharge can propose alternative BMPs as equivalents to the director of Planning and Development Services.

**Table 2.1 – Source Control BMPs  
Required For Different Properties Or Activities**

<b>Chapter</b>		<b>Commercial activities or properties– more than one employee</b>	<b>Commercial activities or properties – one employee</b>	<b>Non-commercial activities at residential properties</b>
<b>2.1</b>	<b>Prohibited Discharge Elimination</b>			
	Site map	X	X	
	Prevention of prohibited discharges and connections	X	X	X
	Post onsite storm drains to indicate they are not to receive pollutants	X	X	
<b>2.2</b>	<b>Spill Response and Reporting</b>			
	Spill kit	X	X	
	Spill response plan including materials inventory	X	X	
	Spill containment and cleanup	X	X	X
	Spill reporting	X	X	X



**Table 2.1 – Source Control BMPs  
Required For Different Properties Or Activities**

<b>Chapter</b>		<b>Commercial activities or properties– more than one employee</b>	<b>Commercial activities or properties – one employee</b>	<b>Non-commercial activities at residential properties</b>
<b>2.3</b>	<b>Pollution Prevention – Storage Areas</b>			
	Materials storage	X	X	X
	Materials containment	X	X	X
	Area cleanup	X	X	X
<b>2.4</b>	<b>Pollution Prevention – Work Areas</b>			
	Materials storage	X	X	X
	Materials containment	X	X	X
	Area cleanup	X	X	X
<b>2.5</b>	<b>Inspection / maintenance</b>			
	Site inspection	X	X	
	Source control BMP repair / maintenance	X	X	
<b>2.6</b>	<b>Management</b>			
	Assigned tasks	X		

**Table 2.1 – Source Control BMPs  
Required For Different Properties Or Activities**

<b>Chapter</b>		<b>Commercial activities or properties—more than one employee</b>	<b>Commercial activities or properties – one employee</b>	<b>Non-commercial activities at residential properties</b>
	Employee meetings	X		
	Training	X		
	Recordkeeping	X	X	

## 2.1 Prohibited Discharge Elimination

### Required BMPs for prohibited discharge elimination:

Site map showing the following features (Note: not required for noncommercial activities performed at residential properties) Maps showing storm sewers onsite may be held on file with Snohomish County Planning and Development Services – Records 425-388-3311 or through accessing publicly available drainage inventory maps via Snohomish County Surface Water Managements website

[http://www.co.snohomish.wa.us/PWApp/SWM/drainage\\_maps/index.html](http://www.co.snohomish.wa.us/PWApp/SWM/drainage_maps/index.html)

- Storm sewer on site (catch basins, pipes, ditches, oil/water separators, detention ponds, treatment systems, etc.)
- Sanitary sewer manholes and internal drains that drain to sanitary sewer
- Dead-end sumps
- Wastewater / process water disposal points
- Spill kit locations
- Potential pollution sources (see Appendix IV A for typical pollutants by business)

### Containment or proper plumbing / sewer connections for non-stormwater discharges

- Wastewater discharges must be plumbed to the sanitary sewer or a wastewater treatment system approved by Ecology (e.g., on regulated by an NPDES permit or State Waste Discharge Permit) or by another appropriate agency (such as a septic system permitted by the Snohomish Health District).
- Parts cleaning, steam cleaning, pressure washing, etc. must be conducted inside a building or on an impervious contained area such as a concrete pad. Contaminated stormwater from such an area must be discharged to a sanitary sewer or a wastewater treatment system approved by Ecology (e.g., on regulated by an NPDES permit or State Waste Discharge Permit) or by another appropriate agency (such as a septic system permitted by the Snohomish Health District).

Visible identification of on-site storm drains (Note – not required for noncommercial activities performed at residential properties)

- Post “do not discharge wastes” or similar message at catch basins and other storm sewer inlet points. Use posted signs, stenciled pavement, or other clearly visible means.

### Identification and elimination of prohibited plumbing or sewer connections

- Identify prohibited plumbing and sewer connections, and disconnect them from the storm sewer. Reroute the connection so that discharges are legal, or cease the discharge.

### Prohibitions

- Do not hose down pollutants from any area to the ground, storm drain, or receiving water unless necessary for dust control purposes to meet air quality regulations. Runoff from dust control must be conveyed to a stormwater treatment system

approved by Snohomish County, to the sanitary sewer, or to a wastewater treatment system approved by Ecology (e.g., one regulated by an NPDES permit or State Waste Discharge Permit) or by another appropriate agency (such as a septic system permitted by the Snohomish Health District).

- Do not discharge liquid or solid wastes, process wastewater, or sewage to ground or surface water, or to storm drains which discharge to surface water, or to the ground.
- Do not connect floor drains in potential pollutant source areas to storm drains, surface water, or to the ground.

**Additional information**

(Reserved)

## 2.2 Spill Response and Reporting

### Required BMPs for spill response and reporting

NOTE – The businesses and public agencies identified in Appendix IV-A are required to prepare and implement a spill containment, response, and reporting plan. Spill response plans are not required for noncommercial activities performed at residential properties.

#### Spill containment and cleanup kit

- NOTE : Not required for noncommercial activities performed at residential properties.
- Spill containment and cleanup kits must be placed at outside areas where there is a potential for spills or polluting materials. These kits must be appropriate for the materials being handled and the size of the potential spill. At a minimum, the kits must consist of:
  - one or more containers of a size and material appropriate to the potential spill substance, such as high density polyethylene, polypropylene or polyethylene sheet-lined steel; polyethylene or equivalent disposal bags
  - personal protection equipment (safety gloves, protective clothing, goggles, etc.)
  - containment booms, absorbent pads, or other appropriate absorbent material
  - shovels or other appropriate cleanup equipment
  - spill containment and cleanup instructions

#### Spill response plan

- NOTE – Not required for noncommercial activities performed at residential properties
- The spill response plan should document those items identified in BMP 3.25.
- Copies of the spill response plan must be developed for the site and posted in the main business office and at all locations on the site where spills could enter the storm drainage system. A plan should contain all the information identified for spill response plans in BMP 3.25.

#### Spill containment and cleanup

- NOTE – Required for commercial and noncommercial activities performed at residential properties
- The following actions must be taken in the event of a spill:
  - Immediately upon discovery, stop and contain the spill. Promptly clean up solid and liquid pollutant leaks and spills on any exposed soil, vegetated area, or other pervious area.
  - Clean up pollutant liquid spills in impervious uncovered containment areas at the end of each working day. Use solid absorbents, e.g., clay and peat absorbents and rags for cleanup, where practicable.

- Promptly repair or replace all substantially cracked or otherwise damaged paved secondary containment, high-intensity parking and any other drainage areas, which are subjected to pollutant material leaks or spills.
- Dispose of waste in a manner consistent with Snohomish Health District (SHD) Sanitary Code 3.1 and all other federal, state or local regulations for disposal of solid or hazardous waste.

### Spill reporting

- NOTE – Required for commercial and noncommercial activities performed at residential properties
- For a spill that has reached or may reach a sanitary or a storm sewer, ground water, or surface water, make the following calls immediately upon detection:
  - **Call 911.** The dispatcher will route the information to the proper response agency.
  - **Call Snohomish County at 425-388-6481.**
  - **Call Ecology at (425) 649-7000**
  - **Call the local sanitary sewer agency.**
- Notification must comply with and federal spill reporting requirements. See also recordkeeping requirements in Chapter 2.6.
- To report a spill or to determine if a spill is a substance of a Reportable Quantity, call the Department of Ecology Northwest Regional Office at (425) 649-7000 and ask for an oil spill operations or a hazardous waste specialist.

For further information, refer to Emergency Spill Response in Washington State Publication #97-1165-CP. The document may be obtained at <http://www.ecy.wa.gov/pubs/971165cp.pdf> or by calling the Washington State Department of Ecology Publication Distribution Office at 360-407-7472.

### **Prohibitions**

Do not flush absorbent materials or other spill cleanup materials to a storm drain. Collect the contaminated absorbent material as a solid and dispose in a manner consistent with SHD Sanitary Code Chapter 3.1 and all other federal, state and local regulations.

### **Additional information**



- Photo of spill kit contents

## 2.3 Pollution Prevention in Storage Areas

### Required BMPs for pollution prevention in storage areas

#### Materials storage

- Where feasible, and not in conflict with uniform fire code, store potential stormwater pollutant materials inside a building or under a cover and/or containment.
- When exposed to stormwater, cover and contain stockpiled materials, which includes but is not limited to manure or soils, such that contamination of storm drainage conveyance systems or water of the state is prevented. This may be accomplished by building a structure to cover the materials or using temporary tarps held in place. Note: building a structure may be subject to permitting required by Snohomish County Planning and Development Services or other agencies as necessary. To determine if your project needs permits you may call 425-388-3311.
- Convey any contaminated stormwater to a wet pond, settling pond, swale media filter or other treatment system approved by a federal, state or local agency.
- Liquid and applicable solid materials must be stored in containers suitable for the contents and inspected for corrosion, structural failure, tight fitting lids, leaks and overfills.
- Businesses storing liquids shall use secondary containment, such as spill palettes or berms such that a volume of either 10 percent of the total enclosed container volume or 110 percent of the volume contained in the largest container, whichever is greater, or, if a single container, 110 percent of the volume of that container.
- Cover dumpsters, or keep them under cover such as a lean-to, to prevent the entry of stormwater. Replace or repair leaking garbage dumpsters.
- Store materials in areas sloping to dead end sumps or other sufficient containment area away from storm drain systems or surface waters.
- Sweep and clean materials storage areas regularly to prevent build up of contaminating materials.

#### Materials containment

- Use drip pans to collect leaks from equipment, storage containers, vehicles, and other potential pollution sources that are stored outside.
- Where exposed to stormwater, use containers, piping, tubing, pumps, fittings, and valves that are appropriate for their intended use and for the contained liquid.
- Empty drip pans immediately after a spill or leak is collected in an uncovered area.
- Promptly repair or replace all leaking connections, pipes, hoses, valves, etc., that contain material that can contaminate stormwater.
- Household hazardous wastes transported in a sealed, non leaking container may be disposed of free of charge at the Snohomish County Hazardous Materials Drop off



station located at 3434 McDougall Ave., Everett WA. 98201. For more information call Snohomish County Solid Waste at 425-388-6050.

- A business which generates small quantities of hazardous waste may use the McDougall facility noted above for a fee, but must make an appointment to do so.
- Small quantities are defined as generating fewer than 220 lbs. of hazardous waste (e.g., sludges, solvents, inks) per month or batch or accumulating fewer than 2,200 lbs. of hazardous waste, or accumulating fewer than 2.2 lbs. of acutely or extremely hazardous waste per month or batch. For more information, call the Snohomish County Health District at 425-339-5250.

#### Storage area cleanup

- Sweep paved material storage areas regularly. Clean up pollutant liquid leaks and spills in impervious uncovered containment areas at the end of each working day. Use solid absorbents, e.g., clay and peat absorbents and rags for cleanup, where practicable.
- Promptly clean up solid and liquid pollutant leaks and spills on any exposed soil, vegetated area, or other pervious area.
- Dispose of collected material in a manner consistent with Snohomish Health District Sanitary Code Chapter 3.1 and all other federal, state and local regulations regarding the disposal of solid waste or hazardous waste, to prevent stormwater pollution. For more information on disposal options call the Snohomish Health District at 425-339-5250 or Snohomish County Solid Waste at 425-388-6050.

#### **Additional information**

(Reserved)

## 2.4 Pollution Prevention in Work Areas

### Required BMPs for pollution prevention in work areas

#### Materials storage

- Where feasible, store potential stormwater pollutant materials inside a building or under a cover and/or containment.

#### Materials containment

- Use drip pans to collect leaks from equipment, storage containers, vehicles, and other potential pollution sources that are stored outside.
- Where exposed to stormwater, use containers, piping, tubing, pumps, fittings, and valves that are appropriate for their intended use and for the contained liquid.
- Empty drip pans immediately after a spill or leak is collected in an uncovered area.
- Dispose of collected material in a manner consistent with Snohomish Health District Sanitary Code Chapter 3.1 and all other federal, state and local regulations regarding the disposal of solid waste, to prevent stormwater pollution. For more information on disposal options call the Snohomish Health District at 425-339-5250 or Snohomish County Solid Waste at 425-388-6050.
- Promptly repair or replace all leaking connections, pipes, hoses, valves, etc., that contain material that can contaminate stormwater.
- Install dust and spray containment barriers around areas where activities such as painting, pressure washing, and sandblasting are performed. Follow requirements in Chapter 2.1 for prevention of prohibited discharges of wastewater and other polluted discharges.
- Apply pesticides and fertilizers in a manner that will not result in stormwater contamination. Do not apply immediately before or during a rainstorm.

#### Work area cleanup

- Sweep paved material storage areas regularly, and dispose of collected material in a manner that will not cause stormwater pollution.
- Clean up pollutant liquid leaks and spills in impervious uncovered containment areas at the end of each working day. Use solid absorbents, e.g., clay and peat absorbents and rags for cleanup, where practicable.
- Promptly clean up solid and liquid pollutant leaks and spills on any exposed soil, vegetated area, or other pervious area.
- Dispose of collected material in a manner consistent with Snohomish Health District Sanitary Code Chapter 3.1 and all other federal, state and local regulations regarding the disposal of solid waste, to prevent stormwater pollution. For more information on disposal options call the Snohomish Health District at 425-339-5250 or Snohomish County Solid Waste at 425-388-6050.

**Additional information**

(Reserved)

## 2.5 Source Control BMP Inspection / Maintenance

### Required inspections and maintenance

#### Site inspections

- Conduct and document site inspections quarterly to collect information adequate to answer the questions or information requirements in the form below.
  - 1) Spill kits
    - spill control kits available and stocked
    - spill plans posted
  - 2) Storage area BMPs
    - polluting materials covered or stored indoors
    - drip pans in use
    - drip pans emptied and waste properly disposed of
    - containment systems (berms, dikes, etc.) functional and structurally intact
    - paved containment areas structurally intact
  - 3) Work area BMPs
    - polluting materials covered or stored indoors
    - drip pans in use
    - drip pans emptied and waste properly disposed of
    - containment systems (berms, dikes, etc.) functional and structurally intact
    - paved containment areas structurally intact
  - 4) Site map
    - site map accurately and completely depicts all information set forth in site map requirements in Chapter 2.1
  - 5) Pollution source observations
    - evidence of polluted discharges: polluted material in catch basins, stains or corrosion on pavement or other ground surfaces, and odors.

#### Source control BMP maintenance

- Repair or replace all source control BMPs that are damaged or otherwise not functioning, or that are inadequate to contain or prevent prohibited discharges.

## 2.6 Management

### Required management BMPs

#### Assignment Of Pollution Prevention Tasks

- *NOTE – Not required for noncommercial activities performed at residential properties or for businesses with only one employee.*
- Site owners, operators, or managers will assign responsibility to one or more staff for implementation of all BMPs in this chapter, plus implementation of any other BMPs required by SCC 7.53 or other Snohomish County codes. A sample task assignment sheet is included below.
- During hours of business operation, at least one person trained in spill response must be present.

**Table 2.2 - Sample  
Stormwater Pollution Prevention  
Task Assignment Sheet**

<b>BMP / TASK</b>	<b>ASSIGNED TO</b>	<b>DATE</b>
Site inspections		
Training		
Recordkeeping		
Drip pan content disposal		
Other containment system content disposal		
Spill kit deployment / maintenance / refill		
Spill plan preparation / posting		
Spill response		
Spill reporting		
Work area cleanup		
Emergency task assignments		

### Pollution prevention meetings

- Hold regularly-scheduled meetings to review the overall operation of the BMPs. These may be incorporated into other employee meetings.

### Training

- Train all team members in the operation, maintenance and inspections of BMPs, and reporting procedures. Use Ecology's "Guidance Manual for Preparing/Updating a Stormwater Pollution Prevention Plan for Industrial Facilities" (Publication Number 04-10-030) as a training reference.

### Recordkeeping

- The following records of BMPs implemented in order to comply with SCC 7.53 shall be kept:

#### ***Spill reports***

Reports on spills of oil or hazardous substances in greater than Reportable Quantities (Code of Federal Regulations Title 40 Parts 302.4 and 117), including the following: oil, gasoline, or diesel fuel, that causes a violation of the State of Washington's Water Quality Standards, or, that causes a film or sheen upon or discoloration of the waters of the State or adjoining shorelines or causes a sludge or emulsion to be deposited beneath the surface of the water or upon adjoining shorelines.

#### ***Training***

At a minimum, for each type of training, documentation shall consist of a list of staff trained, type of training, date training was given, and a signature by the owner or manager certifying accuracy of the information.

#### ***Materials and equipment purchased related to pollution source control***

Records should include spill kit contents, spill control materials, pollution control equipment, etc.

#### ***Material use and disposal***

Records related to spill cleanup or other pollution prevention actions.

#### ***Maintenance***

Maintenance of storm drainage system and equipment or facilities related to spill control or pollution prevention

#### ***Records retention***

Records shall be made available to Snohomish County upon request, and shall be retained for three years.

## 2.7 Additional Recommendations

1. Recycle materials, such as oils, solvents, and wood waste, to the maximum extent practicable.
2. Construct impervious areas that are compatible with the materials handled. Portland cement concrete, asphalt, or equivalent material may be considered.
3. At industrial and commercial facilities, drain oil and fuel filters before disposal. Discard empty oil and fuel filters, oily rags and other oily solid waste into appropriately closed and properly labeled containers, and in compliance with the Uniform Fire Code, or applicable federal, state or local solid waste handling regulations.
4. For the storage of liquids use containers, such as steel and plastic drums, that are rigid and durable, corrosion resistant to the weather and fluid content, non-absorbent, water tight, rodent-proof, and equipped with a close fitting cover.
5. For the temporary storage of solid wastes contaminated with liquids or other potential pollutant materials use dumpsters, garbage cans, drums and comparable containers, which are durable, corrosion resistant, non-absorbent, non-leaking, and equipped with either a solid cover or screen cover to prevent littering. If covered with a screen, the container must be stored under a lean-to or equivalent structure.
6. Minimize use of toxic cleaning solvents, such as chlorinated solvents, and other toxic chemicals.
7. Use environmentally safer raw materials, products, additives, etc. such as substitutes for zinc used in rubber production.
8. Recycle waste materials such as solvents, coolants, oils, degreasers, and batteries to the maximum extent feasible. Refer to Appendix IV-C for recommendations on recycling or disposal of vehicle waste liquids and other waste materials.
9. Stencil warning signs at stormwater catch basins and drains, e.g., “Dump no waste.”
10. Do not pave over contaminated soil unless approved by the Department of Ecology Toxics Clean up Program. Call the Snohomish Health District for assistance with contaminated soils at 425-339-5250.
11. Where feasible, store potential stormwater pollutant materials inside a building or under a cover and/or containment.
12. Dispose of waste in a manner consistent with Snohomish Health District Sanitary Code Chapter 3.1 and all other federal, state or local regulations for disposal of solid or hazardous waste.
13. Minimize runoff from lawn and landscape irrigation by watering only as needed, and by properly directing spray from sprinklers. Runoff from lawn and landscape irrigation can contain contaminants such as fertilizers, pesticides, and bacteria.

## **Chapter 3 - Source Control BMPs Required By SCC 7.53 For Specific Activities Or Land Uses**

---

This chapter sets forth BMPs required by SCC 7.53 for specific activities, facilities, or types of sites.



### 3.1 BMPs for the Building, Repair, and Maintenance of Boats and Ships

**NOTE:** All boatyards in Washington State with haul out facilities are required to be covered under the NPDES General Permit for Boatyard Activities. All shipyards in Washington State with haul out facilities such as drydocks, graving docks, marine railways or synchrolifts are required to be covered under an individual NPDES Permit. Any facility conducting boatyard or shipyard activities strictly from dockside, with no vessel haul out, must be covered by the NPDES General Stormwater Permit for Industrial Activities. SCC Chapter 7.53 states that full implementation of all BMPs required by an NPDES industrial stormwater permit shall constitute compliance with that code chapter.

**Description of Pollutant Sources:** Sources of pollutants at boat and shipbuilding, repair, and maintenance at boatyards, shipyards, ports, and marinas include pressure washing, surface preparation, paint removal, sanding, painting, engine maintenance and repairs, and material handling and storage, if conducted outdoors. Potential pollutants include spent abrasive grits, solvents, oils, ethylene glycol, washwater, paint over-spray, cleaners/ detergents, anti-corrosive compounds, paint chips, scrap metal, welding rods, resins, glass fibers, dust, and miscellaneous trash. Pollutant constituents include TSS, oil and grease, organics, copper, lead, tin, and zinc.

#### **Source Control BMPs:**

- Use fixed platforms with appropriate plastic or tarpaulin barriers as work surfaces and for containment when work is performed on a vessel in the water to prevent blast material or paint overspray from contacting stormwater or the receiving water. Use of such platforms will be kept to a minimum and at no time be used for extensive repair or construction (anything in excess of 25 percent of the surface area of the vessel above the waterline).
- Use plastic or tarpaulin barriers beneath the hull and between the hull and dry dock walls to contain and collect waste and spent materials. Clean and sweep regularly to remove debris.
- Enclose, cover, or contain blasting and sanding activities to the maximum extent practicable to prevent abrasives, dust, and paint chips, from reaching storm sewers or receiving water. Use plywood and/or plastic sheeting to cover open areas between decks when sandblasting (scuppers, railings, freeing ports, ladders, and doorways).
- Direct deck drainage to a collection system sump for settling and/or additional treatment.
- Store cracked batteries in a covered secondary container.

## 3.2 BMPs for Commercial Animal Handling Areas

**Description of Pollutant Sources:** Animals at racetracks, kennels, fenced pens, veterinarians, and businesses that provide boarding services for horses, dogs, cats, etc., can generate pollutants from the following activities: manure deposits, animal washing, grazing and any other animal handling activity that could contaminate stormwater. Pollutants can include coliform bacteria, nutrients, and total suspended solids.

### Source Control BMPs

- Regularly sweep and clean animal keeping areas to collect and properly dispose of droppings, uneaten food, and other potential stormwater contaminants
- Do not hose down to storm drains or to receiving water those areas that contain potential stormwater contaminants
- Do not allow any washwaters to be discharged to storm drains or to receiving water without proper treatment
- If animals are kept in unpaved and uncovered areas, the ground must either have vegetative cover or some other type of ground cover such as mulch
- If animals are not leashed or in cages, the area where animals are kept must be surrounded by a fence or other means that prevents animals from moving away from the controlled area where BMPs are used.

### 3.3 BMPs for Commercial Composting

**Description of Pollutant Sources:** Commercial compost facilities, operating outside without cover, require large areas to decompose wastes and other feedstocks. These facilities should be designed to separate stormwater from leachate (i.e., industrial wastewater) to the greatest extent possible. When stormwater is allowed to contact any active composting areas, including waste receiving and processing areas, it becomes leachate. Pollutants in leachate include nutrients, biochemical oxygen demand (BOD), organics, coliform bacteria, acidic pH, color, and suspended solids. Stormwater at a compost facility consists of runoff from areas at the facility that are not associated with active processing and curing, such as product storage areas, vehicle maintenance areas, and access roads.

**NOTE:** Discharge of leachate from a compost facility will require a State Waste Discharge Permit or NPDES permit from Ecology, depending on the disposal method chosen for managing leachate at the facility (See Chapter 2 in “Compost Facility Resource Handbook, Guidance for Washington State”, November 1998, Publication # 97-502.) An additional alternative, zero discharge, is possible by containing all leachate from the facility (in tanks or ponds) or preventing production of leachate (by composting under a roof or in an enclosed building). SCC Chapter 7.53 states that full implementation of all BMPs required by an NPDES industrial stormwater permit or State Waste Discharge Permit shall constitute compliance with that code chapter.

#### **Source Control BMPs:**

- Ensure that the compost feedstocks do not contain dangerous wastes, regulated under Chapter 173-303 WAC or hazardous products of a similar nature, or solid wastes that are not beneficial to the composting process. Employees must be trained to screen these materials in incoming wastes.
- Develop a plan of operations as outlined in the Compost Facility Resource Handbook, Publication #97-502.
- Store finished compost in a manner to prevent contamination of stormwater.
- Construct structural or treatment BMPs in accordance with NPDES permit or State Waste Discharge Permits applicable to the site.

### 3.4 BMPs for Commercial Printing Operations

**Description of Pollutant Sources:** Materials used in the printing process include inorganic and organic acids, resins, solvents, polyester film, developers, alcohol, vinyl lacquer, dyes, acetates, and polymers. Waste products may include waste inks and ink sludge, resins, photographic chemicals, solvents, acid and alkaline solutions, chlorides, chromium, zinc, lead, spent formaldehyde, silver, plasticizers, and used lubricating oils. As the printing operations are conducted indoors, the only likely points of potential contact with stormwater are the outside temporary storage of waste materials and offloading of chemicals at external unloading bays. Pollutants can include TSS, pH, heavy metals, oil and grease, and COD.

**Source Control BMPs:**

- Discharge process wastewaters to a sanitary sewer, if approved by the local sewer authority, or to an approved process wastewater treatment system.
- Do not discharge process wastes or wastewaters into storm drains or surface water.
- Determine whether any of these wastes qualify for regulation as dangerous wastes and dispose of them accordingly.
- Store raw materials or waste materials that could contaminate stormwater in covered and contained areas.
- Train all employees in pollution prevention, spill response, and environmentally acceptable materials handling procedures.
- Store materials in proper, appropriately labeled containers. Identify and label all chemical substances.
- Inspect all stormwater management devices regularly and maintain in accordance with the standards set forth in Volume 5 of this Manual.
- Place cleanup sludges into a container with a tight lid and dispose of as hazardous waste. Do not dispose of cleanup sludges in the garbage or in containers of soiled towels.

For additional information on pollution prevention, the following Washington Department of Ecology publications are recommended: A Guide for Screen Printers, Publication #94-137 and A Guide for Lithographic Printers, Publication #94-139.

### 3.5 BMPs for Deicing and Anti-Icing Operations - Airports and Aircraft

**Description of Pollutant Sources:** Deicing and/or anti-icing compounds are used on airport runways and aircraft to control ice and snow. Typically ethylene glycol and propylene glycol are deicers used on aircraft. The deicing and anti-icing compounds become pollutants when they are conveyed to storm drains or to surface water after application. Leaks and spills of these chemicals can also occur during their handling and storage.

#### **BMPs for Airport De/anti-icing Operations**

*EPA is currently studying airport deicing as part of the pretreatment regulations (40 CFR 403). These regulations are not expected to be promulgated for several years.*

**Pollutant Control Approach for Aircraft:** Spent glycol discharges in aircraft application areas are process wastewaters that are regulated under Ecology's industrial stormwater general permit. (Contact the Ecology Regional Office for details.) BMPs for aircraft de/anti-icers must be consistent with aviation safety and the operational needs of the aircraft operator.

#### **Source control BMPs for aircraft:**

- Conduct aircraft deicing or anti-icing applications in impervious containment areas. Collect aircraft deicer or anti-icer spent chemicals, such as glycol, draining from aircraft in deicing or anti-icing application areas and convey to a sanitary sewer, treatment, or other approved disposal or recovery method. Divert deicing runoff from paved gate areas to appropriate collection areas or conveyances for proper treatment or disposal.
- Do not allow spent deicer or anti-icer chemicals or stormwater contaminated with aircraft deicer or anti-icer chemicals to be discharged from application areas including gate areas, to surface water, or ground water, directly or indirectly. Transfer deicing and anti-icing chemicals on an impervious containment pad, or equivalent spill/leak containment area, and store in secondary containment areas.

#### **Source control BMPs for airport runways/taxiways:**

- Avoid excessive application of all de/anti-icing chemicals, which could contaminate stormwater.
- Store and transfer de/anti-icing materials on an impervious containment pad or an equivalent containment area and/or under cover in accordance with BMP Storage or Transfer (Outside) of Solid Raw Materials, By-Products, or Finished Products in this volume. Other material storage and transfer approaches may be considered if it can be

### **3.5 BMPs for Deicing and Anti-Icing Operations - Airports and Aircraft**

demonstrated that stormwater will not be contaminated with or that the de/anti-icer material cannot reach surface or ground waters.

- Include limits on toxic materials and phosphorous in the specifications for de/anti-icers, where applicable.
- Consider using anti-icing materials rather than deicers if it will result in less adverse environmental impact.
- Select cost-effective de/anti-icers that cause the least adverse environmental impact.

### 3.6 BMPs for Deicing and Anti-Icing Operations – Commercial Parking Lots and Paved Areas

**Description of Pollutant Sources:** Deicing and/or anti-icing compounds are used on paved surfaces to control ice and snow. Common pavement deicers include calcium magnesium acetate (CMA), calcium chloride, magnesium chloride, sodium chloride, urea, and potassium acetate. The deicing and anti-icing compounds become pollutants when they are conveyed to storm drains or to surface water after application. Leaks and spills of these chemicals can also occur during their handling and storage.

#### **Source Control BMPs**

- Select de and anti-icers that cause the least adverse environmental impact. Apply only as needed using minimum quantities.
- Where feasible and practicable use roadway deicers, such as calcium magnesium acetate, potassium acetate, or similar materials, that cause less adverse environmental impact than urea, and sodium chloride.
- Store and transfer de/anti-icing materials on an impervious containment pad in accordance with BMP Storage or Transfer (Outside) of Solid Raw Materials, By-Products, or Finished Products in this volume.
- Sweep/clean up accumulated de/anti-icing materials and grit from paved areas as soon as possible after the paved surface is free of ice.

### 3.7 BMPs for Dust Control at Unpaved Commercial or Industrial Sites

**Description of Pollutant Sources:** Dust can cause air and water pollution problems particularly at demolition sites and in arid areas where reduced rainfall exposes soil particles to transport by air.

**Source Control BMPs:**

- Sprinkle or wet down soil or dust with water as long as it does not result in a wastewater discharge.
- Use only state government approved dust suppressant chemicals such as those listed in Ecology Publication #96-433, “Techniques for Dust Prevention and Suppression.”
- Avoid excessive and repeated applications of dust suppressant chemicals. Time the application of dust suppressants to avoid or minimize their wash-off by rainfall or human activity such as irrigation.
- Apply stormwater containment to prevent the conveyance of stormwater TSS into storm drains or receiving waters.
- The use of motor oil for dust control is prohibited. Care should be taken when using lignin derivatives and other high BOD chemicals in excavations or areas easily accessible to surface water or ground water.
- Consult with the Ecology Northwest Regional Office on discharge permit requirements if the dust suppression process results in a wastewater discharge to the ground, ground water, storm drain, or surface water.



### 3.8 BMPs for Dust Control at Manufacturing Areas

**Description of Pollutant Sources:** Industrial material handling activities can generate considerable amounts of dust that is typically removed using exhaust systems. This can generate air emissions that can contaminate stormwater. Dusts can be generated at cement and concrete products mixing, and wherever powdered materials are handled. Particulate materials that are of concern to air pollution control agencies include grain dust, sawdust, coal, gravel, crushed rock, cement, and boiler fly ash. The objective of this BMP is to reduce the stormwater pollutants caused by dust generation and control.

**Source Control BMPs:**

- Regularly sweep dust accumulation areas that can contaminate stormwater. Sweeping should be conducted using vacuum filter equipment to minimize dust generation and to ensure optimal dust removal.
- In manufacturing operations, train employees to carefully handle powders to prevent generation of dust.

### 3.9 BMPs for Fueling At Dedicated Stations

**Description of Pollutant Sources:** A fueling station is a facility dedicated to the transfer of fuels from a stationary pumping station to mobile vehicles or equipment. It includes above or under-ground fuel storage facilities. In addition to general service gas stations, fueling may also occur at 24-hour convenience stores, construction sites, warehouses, car washes, manufacturing establishments, port facilities, and businesses with fleet vehicles. Typically, stormwater contamination at fueling stations is caused by leaks/spills of fuels, lube oils, radiator coolants, and vehicle washwater.

**Source Control BMPs:**

- Prepare an emergency spill response and cleanup plan (per BMPs for Spills of Oil and Hazardous Substances) and have designated trained person(s) available on site during business hours, properly implement that plan and immediately cleanup all spills. Keep suitable cleanup materials, such as dry adsorbent materials, on site to allow prompt cleanup of a spill.
- Train employees on the proper use of fuel dispensers. Post signs in accordance with the Uniform Fire Code (UFC). Post “No Topping Off” signs (topping off gas tanks causes spillage and vents gas fumes to the air). Make sure that the automatic shutoff on the fuel nozzle is functioning properly.
- The person conducting the fuel transfer must be present at the fueling pump during fuel transfer, particularly at unattended or self-serve stations.
- Keep drained oil filters in a suitable container or drum.

### **3.10 BMPs for Landscaping and Lawn/Vegetation Management at Commercial Sites or Performed Commercially at Other Sites**

**Description of Pollutant Sources:** Landscaping can include grading, soil transfer, vegetation removal, pesticide and fertilizer applications, and watering. Stormwater contaminants include toxic organic compounds, heavy metals, oils, total suspended solids, coliform bacteria, fertilizers, and pesticides.

Lawn and vegetation management can include control of objectionable weeds, insects, mold, bacteria and other pests with chemical pesticides and is conducted commercially at commercial, industrial, and residential sites. Examples include weed control on golf course lawns, access roads, and utility corridors and during landscaping; sap stain and insect control on lumber and logs; rooftop moss removal; killing nuisance rodents; fungicide application to patio decks, and residential lawn/plant care. Toxic pesticides such as pentachlorophenol, carbamates, and organometallics can be released to the environment by leaching and dripping from treated parts, container leaks, product misuse, and outside storage of pesticide contaminated materials and equipment. Poor management of the vegetation and poor application of pesticides or fertilizers can cause appreciable stormwater contamination.

Pesticide and herbicide pollution can be minimized by developing and implementing an Integrated Pest Management (IPM) Plan. Appendix IV-F contains more information on developing an IPM Plan. If pesticides/herbicides are used they must be carefully applied in accordance with label instructions on U.S. Environmental Protection Agency (EPA) registered materials. Maintain appropriate vegetation, with proper fertilizer application where practicable, to control erosion and the discharge of stormwater pollutants. Where practicable grow plant species appropriate for the site, or adjust the soil properties of the subject site to grow desired plant species.

#### **Source Control BMPs for Landscaping:**

- Do not dispose of collected vegetation into waterways or storm drainage systems.
- If oil or other chemicals are handled, store and maintain appropriate oil and chemical spill cleanup materials in readily accessible locations. Ensure that employees are familiar with proper spill cleanup procedures.

### **3.10 BMPs for Landscaping and Lawn/Vegetation Management at Commercial Sites or Performed Commercially at Other Sites**

#### **Source Control BMPs for the Use of Pesticides:**

- Apply the pesticide according to label directions. Under no conditions shall pesticides be applied in quantities that exceed manufacturer's instructions.
- Mix the pesticides and clean the application equipment in an area where accidental spills will not enter surface or ground waters, and will not contaminate the soil.
- Store pesticides in enclosed areas or in covered impervious containment. Ensure that pesticide contaminated stormwater or spills/leaks of pesticides are not discharged to storm drains. Do not hose down the paved areas to a storm drain or conveyance ditch. Store and maintain appropriate spill cleanup materials in a location known to all near the storage area.
- Clean up any spilled pesticides and ensure that the pesticide contaminated waste materials are kept in designated covered and contained areas.
- The pesticide application equipment must be capable of immediate shutoff in the event of an emergency.
- Do not spray pesticides within 100 feet of open waters including wetlands, ponds, and streams, sloughs and any drainage ditch or channel that leads to open water except when approved by Ecology. All sensitive areas including wells, creeks and wetlands must be flagged prior to spraying.
- As required by applicable regulations, complete public posting of the area to be sprayed prior to the application.
- Spray applications should only be conducted during weather conditions as specified in the label direction and applicable local and state regulations. Do not apply during rain or immediately before expected rain.
- Rinseate from equipment cleaning and/or triple-rinsing of pesticide containers should be used as product, recycled into product, or disposed of in a manner consistent with Snohomish Health District Sanitary Code Chapter 3.1 and all other federal, state and local regulations regarding the disposal of solid waste, to prevent stormwater pollution. For more information on disposal options call the Snohomish Health District at 425-339-5250 or Snohomish County Solid Waste at 425-388-6050.

#### **Source Control BMPs for Vegetation Management:**

### **3.10 BMPs for Landscaping and Lawn/Vegetation Management at Commercial Sites or Performed Commercially at Other Sites**

- Do not dispose of collected vegetation into waterways or storm drainage systems.

#### ***Fertilizer Management:***

- Properly trained persons should apply all fertilizers. At commercial and industrial facilities fertilizers should not be applied to grass swales, filter strips, or buffer areas that drain to sensitive water bodies unless approved by the local jurisdiction.

### 3.11 BMPs for Loading and Unloading Areas for Liquid or Solid Material

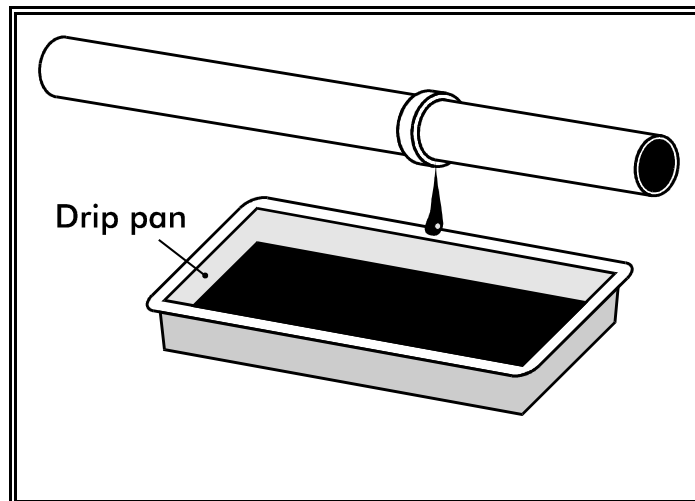
**Description of Pollutant Sources:** Loading/unloading of liquid and solid materials at industrial and commercial facilities are typically conducted at shipping and receiving, outside storage, fueling areas, etc. Materials transferred can include products, raw materials, intermediate products, waste materials, fuels, scrap metals, etc. Leaks and spills of fuels, oils, powders, organics, heavy metals, salts, acids, alkalis, etc. during transfer are potential causes of stormwater contamination. Spills from hydraulic line breaks are a common problem at loading docks.

**Source Control BMPs:**

***At All Loading/ Unloading Areas:***

- A significant amount of debris can accumulate at outside, uncovered loading/unloading areas. Sweep these surfaces frequently to remove material that could otherwise be washed off by stormwater. Sweep outside areas that are covered for a period of time by containers, logs, or other material after the areas are cleared. Place drip pans, or other appropriate temporary containment device, at locations where leaks or spills may occur such as hose connections, hose reels and filler nozzles. Drip pans shall always be used when making and breaking connections (see Figure 3.1). Check loading/ unloading equipment such as valves, pumps, flanges, and connections regularly for leaks and repair as needed.
- Provide signage clearly designating loading and unloading areas.

Figure 3.1 – Drip Pan



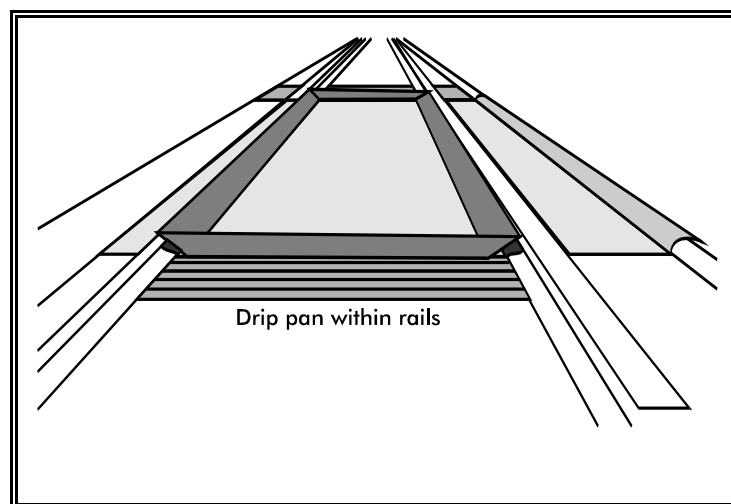
### 3.11 BMPs for Loading and Unloading Areas for Liquid or Solid Material

#### *At Tanker Truck and Rail Transfer Areas to Above/Below-ground Storage Tanks:*

- To minimize the risk of accidental spillage, prepare an "Operations Plan" that describes procedures for loading/unloading. Train the employees, especially fork lift operators, in its execution and post it or otherwise have it readily available to employees.
- Report spills of reportable quantities to Ecology (refer to Chapter 2 for telephone numbers of Ecology Regional Offices).
- Prepare and implement an Emergency Spill Cleanup Plan for the facility (BMP Spills of Oil and Hazardous Substances) which includes the following BMPs:
  - Ensure the clean up of liquid/solid spills in the loading/ unloading area immediately, if a significant spill occurs, and, upon completion of the loading/unloading activity, or, at the end of the working day.
  - Retain and maintain an appropriate oil spill cleanup kit on-site for rapid cleanup of material spills. (See BMP Spills of Oil and Hazardous Substances).
  - Ensure that an employee trained in spill containment and cleanup is present during loading/unloading.

*At Rail Transfer Areas to Above/below-ground Storage Tanks:* Install a drip pan system as illustrated within the rails to collect spills/leaks from tank cars and hose connections, hose reels, and filler nozzles.

Figure 3.2 – Drip Pan Within Rails



### **3.11 BMPs for Loading and Unloading Areas for Liquid or Solid Material**

*Loading/Unloading from/to Marine Vessels:* Facilities and procedures for the loading or unloading of petroleum products must comply with Coast Guard requirements specified in Appendix IV-D R.5.

*Transfer of Small Quantities from Tanks and Containers:* Refer to BMPs Storage of Liquids in Permanent Above-Ground Tanks, and Storage of Liquid, Food Waste, or Dangerous Waste Containers, for requirements on the transfer of small quantities from tanks and containers, respectively.



### 3.12 BMPs for Log Sorting and Handling

**Description of Pollutant Sources:** Log yards are paved or unpaved areas where logs are transferred, sorted, debarked, cut, and stored to prepare them for shipment or for the production of dimensional lumber, plywood, chips, poles, or other products. Log yards are generally maintained at sawmills, shipping ports, and pulp mills. Typical pollutants include oil and grease, BOD, settleable solids, total suspended solids (including soil), high and low pH, heavy metals, pesticides, wood-based debris, and leachate.

The following are pollutant sources:

- Log storage, rollout, sorting, scaling, and cutting areas
- Log and liquid loading areas
- Log sprinkling
- Debarking, bark bin and conveyor areas
- Bark, ash, sawdust and wood debris piles, and other solid wastes
- Metal salvage areas
- Truck, rail, ship, stacker, and loader access areas
- Log trucks, stackers, loaders, forklifts, and other heavy equipment
- Maintenance shops and parking areas
- Cleaning areas for vehicles, parts, and equipment
- Storage and handling areas for hydraulic oils, lubricants, fuels, paints, liquid wastes, and other liquid materials
- Pesticide usage for log preservation and surface protection
- Application of herbicides for weed control
- Contaminated soil resulting from leaks or spills of fluids

**NOTE:** Industries with log yards are required to obtain coverage under the baseline general permit for discharges of stormwater associated with industrial activities to surface water. The permit requires preparation and on-site retention of Stormwater Pollution Prevention Plans (SWPPP). The SWPPP must identify operational, source control, erosion and sediment control and, if necessary, treatment BMPs. Required and recommended source control and treatment BMPs are presented in detail in Ecology's Guidance Document: "Industrial Stormwater General Permit Implementation Manual for Log Yards, Publication # 04-10-031. Implementation of all BMPs required by an NPDES industrial stormwater permit or State Waste Discharge Permit is adequate to comply with Snohomish County Code 7.53 unless these BMPs do not prevent prohibited discharges.

### 3.13 BMPs for Maintenance and Repair of Vehicles and Equipment

**Description of Pollutant Sources:** Pollutant sources include parts/vehicle cleaning, spills/leaks of fuel and other liquids, replacement of liquids, outdoor storage of batteries/liquids/parts, and vehicle parking.

**Source Control BMPs:**

- Inspect for leaks all incoming vehicles, parts, and equipment stored temporarily outside.
- Use drip pans or containers under parts or vehicles that drip or that are likely to drip liquids, such as during dismantling of liquid containing parts or removal or transfer of liquids.
- Remove batteries and liquids from vehicles and equipment in designated areas designed to prevent stormwater contamination. Store cracked batteries in a covered non-leaking secondary containment system.
- Empty oil and fuel filters before disposal. Provide for proper disposal of waste oil and fuel.
- Do not pour/convey washwater, liquid waste, or other pollutant into storm drains or to surface water. Check with the local sanitary sewer authority for approval to convey to a sanitary sewer.
- Do not connect maintenance and repair shop floor drains to storm drains or to surface water. To allow for snowmelt during the winter a drainage trench with a sump for particulate collection can be installed and used only for draining the snowmelt and not for discharging any vehicular or shop pollutants.
- Inspect all BMPs regularly, particularly after a significant storm. Identify and correct deficiencies to ensure that the BMPs are functioning as intended.
- For additional required or recommended source control BMPs refer to the following BMPs:
  - Fueling at Dedicated Stations
  - Washing and Steam Cleaning
  - Vehicle/Equipment/Building Structures
  - Loading and Unloading Areas for Liquid or Solid Material
  - Storage of Liquids in Permanent Above-Ground Tanks
  - Storage of Liquid, Food Waste, or Dangerous Waste Containers
  - Storage or Transfer (Outside) of Solid Raw Materials, By-Products, or Finished Products
  - Spills of Oil and Hazardous Substances
  - Illicit Connections to Storm Drains

### 3.14 BMPs for Maintenance of Public and Private Utility Corridors and Facilities

**Description of Pollutant Sources:** Passageways and equipment at petroleum product, natural gas, and water pipelines, and electrical power transmission corridors and rights-of-way can be sources of pollutants such as herbicides used for vegetation management, and eroded soil particles from unpaved access roads. At pump stations waste materials generated during maintenance activities may be temporarily stored outside. Additional potential pollutant sources include the leaching of preservatives from wood utility poles, PCBs in older transformers, water that is removed from underground transformer vaults, and leaks/spills from petroleum pipelines. The following are potential pollutants: oil and grease, TSS, BOD, organics, PCB, pesticides, and heavy metals.

**Source control BMPs:**

- Implement BMPs for Landscaping and Lawn/Vegetation Management.
- When water or sediments are removed from electric transformer vaults, determine whether contaminants might be present before disposing of the water and sediments. This includes inspecting for the presence of oil or sheen, and determining from records or testing if the transformers contain PCBs. If records or tests indicate that the sediment or water are contaminated above applicable levels, manage these media in accordance with applicable federal and state regulations, including the federal PCB rules (40 CFR 761) and the state MTCA cleanup regulations (Chapter 173-340 WAC). Water removed from the vaults can be discharged in accordance with the federal 40 CFR 761.79, and state regulations (Chapter 173-201A WAC and Chapter 173-200 WAC), or via the sanitary sewer if the requirements, including applicable permits, for such a discharge are met. (See also Appendix IV-D R.1 and R.3).
- Maintain ditches and culverts at an appropriate frequency to ensure that plugging and flooding across the roadbed, with resulting overflow erosion, does not occur.
- Apply the appropriate BMPs in this Volume for the storage of waste materials that can contaminate stormwater.
- Implement temporary erosion and sediment control in areas where clear-cuts are conducted and new roads are constructed.

### 3.15 BMPs for Maintenance of Roadside Ditches

**Description of Pollutant Sources:** Common road debris including eroded soil, oils, vegetative particles, and heavy metals can be sources of stormwater pollutants.

**Source Control BMPs:**

- Inspect roadside ditches regularly, as needed, to identify sediment accumulations and localized erosion.
- Clean ditches on a regular basis, as needed. Ditches should be kept free of rubbish and debris.
- Vegetation in ditches often prevents erosion and cleanses runoff waters. Remove vegetation only when flow is blocked or excess sediments have accumulated.
- Diversion ditches on top of cut slopes that are constructed to prevent slope erosion by intercepting surface drainage must be maintained to retain their diversion shape and capability.
- Ditch cleanings are not to be left on the roadway surfaces. Sweep dirt and debris remaining on the pavement at the completion of ditch cleaning operations.
- Roadside ditch cleanings contaminated by spills or other releases known or suspected to contain dangerous waste must be handled following the Dangerous Waste Regulations (Chapter 173-303 WAC) unless testing determines it is not dangerous waste
- Examine culverts on a regular basis for scour or sedimentation at the inlet and outlet, and repair as necessary. Give priority to those culverts conveying perennial and/or salmon-bearing streams and culverts near streams in areas of high sediment load, such as those near subdivisions during construction.

### 3.16 BMPs for Maintenance of Stormwater Drainage and Treatment Systems

**Description of Pollutant Sources:** Facilities include roadside catch basins on arterials and within residential areas, conveyance systems, detention facilities such as ponds and vaults, oil and water separators, biofilters, settling basins, infiltration systems, and all other types of stormwater treatment systems presented in Volume V. Roadside catch basins can remove from 5 to 15 percent of the pollutants present in stormwater. When catch basins are about 60 percent full of sediment, they cease removing sediments. Oil and grease, hydrocarbons, debris, heavy metals, sediments and contaminated water are found in catch basins, oil and water separators, settling basins, etc.

#### **Source control BMPs:**

Maintain stormwater treatment facilities according to the O & M procedures presented in **Section 4.6 of Volume V**. The following are general requirements spelled out in more detail in Volume V.

- Inspect and clean treatment BMPs, conveyance systems, and catch basins as needed, and determine whether improvements in O & M are needed.
- Promptly repair any deterioration threatening the structural integrity of the facilities. These include replacement of clean-out gates, catch basin lids, and rock in emergency spillways.
- Ensure that storm sewer capacities are not exceeded and that heavy sediment discharges to the sewer system are prevented.
- Regularly remove debris and sludge from BMPs used for peak-rate control, treatment, etc. and discharge to a sanitary sewer if approved by the sewer authority, or truck to a local or state government approved disposal site.
- Clean catch basins when the depth of deposits reaches 60 percent of the sump depth as measured from the bottom of basin to the invert of the lowest pipe into or out of the basin. However, in no case should there be less than six inches clearance from the debris surface to the invert of the lowest pipe. Some catch basins (for example, WSDOT Type 1L basins) may have as little as 12 inches sediment storage below the invert. These catch basins will need more frequent inspection and cleaning to prevent scouring. Where these catch basins are part of a stormwater collection and treatment system, the system owner/operator may choose to concentrate maintenance efforts on downstream control devices as part of a systems approach.
- Clean woody debris in a catch basin as frequently as needed to ensure proper operation of the catchbasin.

### **3.16 BMPs for Maintenance of Stormwater Drainage and Treatment Systems**

- Disposal of sediments and liquids from the catch basins must comply with “Recommendations for Management of Street Wastes” described in Appendix IV-G of this volume.

Select additional applicable BMPs from this chapter depending on the pollutant sources and activities conducted at the facility. Those BMPs include:

- BMPs for Soil Erosion and Sediment Control at Industrial Sites
- BMPs for Storage of Liquid, Food Waste, or Dangerous Waste Containers
- BMPs for Spills of Oil and Hazardous Substances
- BMPs for Illicit Connections to Storm Drains
- BMPs for Urban Streets.

### 3.17 BMPs for Manufacturing Activities - Outside

**Description of Pollutant Sources:** Manufacturing pollutant sources include outside process areas, stack emissions, and areas where manufacturing activity has taken place in the past and significant pollutant materials remain and are exposed to stormwater.

**Source control BMPs:**

- Sweep paved areas regularly, as needed, to prevent contamination of stormwater.
- Cover the activity and connect floor drains to a sanitary sewer, if approved by the local sewer authority. NOTE: A building permit may be required if a structure is proposed to cover the activity. Contact Snohomish County Planning and Development Services at 425-388-3311.

### 3.18 BMPs for Mobile Fueling of Vehicles and Heavy Equipment

**Description of Pollutant Sources:** Mobile fueling, also known as fleet fueling, wet fueling, or wet hosing, is the practice of filling fuel tanks of vehicles by tank trucks that are driven to the yards or sites where the vehicles to be fueled are located. Mobile fueling is only conducted using diesel fuel, as mobile fueling of gasoline is prohibited. Diesel fuel is considered as a Class II Combustible Liquid, whereas gasoline is considered as a Flammable Liquid. Historically mobile fueling has been conducted for off-road vehicles that are operated for extended periods of time in remote areas. This includes construction sites, logging operations, and farms. Mobile fueling of onroad vehicles is also conducted commercially in the State of Washington. *Note that some local fire departments may have restrictions on mobile fueling practices.*

#### **Source control BMPs:**

Organizations and individuals conducting mobile fueling operations must implement the following BMPs. The operating procedures for the driver/operator should be simple, clear, effective and their implementation verified by the organization that will potentially be liable for environmental and third party damage.

- Ensure that all mobile fueling operations are approved by the local fire department and comply with local and Washington State fire codes. • In fueling locations that are in close proximity to sensitive aquifers, designated wetlands, wetland buffers, or other waters of the State, approval by local jurisdictions is necessary to ensure compliance with additional local requirements.
- Ensure the presence and the constant observation/monitoring of the driver/operator at the fuel transfer location at all times during fuel transfer and ensure that the following procedures are implemented at the fuel transfer locations:
  - Locate the point of fueling at least 25 feet from the nearest storm drain or inside an impervious containment with a volumetric holding capacity equal to or greater than 110 percent of the fueling tank volume, or covering the storm drain to ensure no inflow of spilled or leaked fuel. Storm drains that convey the inflow to a spill control separator approved by the local jurisdiction and the fire department need not be covered. Potential spill/leak conveyance surfaces must be impervious and in good repair.
  - Placement of a drip pan, or an absorbent pad under each fueling location prior to and during all dispensing operations. The pan (must be liquid tight) and the absorbent pad must have a capacity of 5 gallons. Spills retained in the drip pan or the pad need not be reported.



### 3.18 BMPs for Mobile Fueling of Vehicles and Heavy Equipment

- The handling and operation of fuel transfer hoses and nozzle, drip pan(s), and absorbent pads as needed to prevent spills/leaks of fuel from reaching the ground, storm drains, and receiving waters.
- Do not extend the fueling hoses across a traffic lane without fluorescent traffic cones, or equivalent devices, conspicuously placed so that all traffic is blocked from crossing the fuel hose.
- Do not “top off” the fuel receiving equipment.
- Provide the driver/operator of the fueling vehicle with:
  - Adequate flashlights or other mobile lighting to view fill openings with poor accessibility. Consult with local fire department for additional lighting requirements.
  - Provide two-way communication with his/her home base.
- Train the driver/operator annually in spill prevention and cleanup measures and emergency procedures. Make all employees aware of the significant liability associated with fuel spills. Document training.
- The fueling operating procedures should be properly signed and dated by the responsible manager, distributed to the operators, retained in the organization files, and made available in the event an authorized government agency requests a review.
- Ensure that the local fire department (911) and the appropriate regional office of the Department of Ecology are immediately notified in the event of any spill entering the surface or ground waters. Establish a “call down list” to ensure the rapid and proper notification of management and government officials should any significant amount of product be lost off-site. Keep the list in a protected but readily accessible location in the mobile fueling truck. The “call down list” should also pre-identify spill response contractors available in the area to ensure the rapid removal of significant product spillage into the environment.
- Maintain a minimum of the following spill clean-up materials in all fueling vehicles, that are readily available for use:
  - Non-water absorbents capable of absorbing 15 gallons of diesel fuel;
  - A storm drain plug or cover kit;
  - A non-water absorbent containment boom of a minimum 10 feet in length with a 12-gallon absorbent capacity;

### **3.18 BMPs for Mobile Fueling of Vehicles and Heavy Equipment**

- A non-metallic shovel; and,
- Two, five-gallon buckets with lids.
- Maintain and replace equipment on fueling vehicles, particularly hoses and nozzles, at established intervals to prevent failures.

### 3.19 BMPs for Painting/Finishing/ Coating of Vehicles/Boats/ Buildings/ Equipment

**Description of Pollutant Sources:** Surface preparation and the application of paints, finishes and/or coatings to vehicles, boats, buildings, and/or equipment outdoors can be sources of pollutants. Potential pollutants include organic compounds, oils and greases, heavy metals, and suspended solids.

**Source control BMPs:**

- Train employees in the careful application of paints, finishes, and coatings to reduce misuse and over spray. Use ground or drop cloths underneath outdoor painting, scraping, sandblasting work, and properly clean and temporarily store collected debris daily.
- Do not conduct spraying, blasting, or sanding activities over open water or where wind may blow paint into water.
- Wipe up spills with rags and other absorbent materials immediately. Do not hose down the area to a storm drain or receiving water or conveyance ditch to receiving water.
- On marine dock areas sweep or vacuum rather than hose down debris.
- Use a storm drain cover, filter fabric, or similarly effective runoff control device if dust, grit, washwater, or other pollutants may escape the work area and enter a catch basin. The containment device(s) must be in place at the beginning of the workday. Collect contaminated runoff and solids and properly dispose of such wastes before removing the containment device(s) at the end of the workday.
- Use a ground cloth, pail, drum, drip pan, tarpaulin, or other protective device for activities such as paint mixing and tool cleaning outside or where spills can contaminate stormwater.
- Properly dispose of all wastes and prevent all uncontrolled releases to the air, ground or water.
- Store toxic materials under cover (tarp, etc.) during precipitation events and when not in use to prevent contact with stormwater.
- Clean paintbrushes and tools covered with water-based paints in sinks connected to sanitary sewers or in portable containers that can be dumped into a sanitary sewer drain.

## 3.20 BMPs for Parking and Storage of Vehicles and Equipment

**Description of Pollutant Sources:** Public and commercial parking lots such as retail store, fleet vehicle (including rent-a-car lots and car dealerships), equipment sale and rental parking lots, and parking lot driveways, can be sources of toxic hydrocarbons and other organic compounds, oils and greases, metals, and suspended solids caused by the parked vehicles.

### **Source control BMPs:**

- If washing of a parking lot is conducted, discharge the washwater to a sanitary sewer, if allowed by the local sewer authority, or other approved wastewater treatment system, or collect it for off-site disposal.
- Do not hose down the area to a storm drain or to a receiving water. Sweep parking lots, storage areas, and driveways, regularly to collect dirt, waste, and debris.

**Applicable Treatment BMPs:** An oil removal system such as an API or CP oil and water separator, catch basin filter, or equivalent BMP, approved by the local jurisdiction, is applicable for parking lots meeting the threshold vehicle traffic intensity level of a *high-use site*.

### **Vehicle High-Use Sites**

Establishments subject to a vehicle high-use intensity have been determined to be significant sources of oil contamination of stormwater. Examples of potential high use areas include customer parking lots at fast food stores, grocery stores, taverns, restaurants, large shopping malls, discount warehouse stores, quick-lube shops, and banks. If the PGIS for a high-use site exceeds 5,000 square feet in a threshold discharge area, and oil control BMP from the Oil Control Menu is necessary. A high-use site at a commercial or industrial establishment has one of the following characteristics:

- Is subject to an expected average daily vehicle traffic (ADT) count equal to or greater than 100 vehicles per 1,000 square feet of gross building area: or
- Is subject to storage of a fleet of 25 or more diesel vehicles that are over 10 tons gross weight (trucks, buses, trains, heavy equipment, etc.).

### 3.21 BMPs for Railroad Yards

**Description of Pollutant Sources:** Pollutant sources can include drips/leaks of vehicle fluids onto the railroad bed, human waste disposal, litter, locomotive/railcar/equipment cleaning areas, fueling areas, outside material storage areas, the erosion and loss of soil particles from the railroad bed, maintenance and repair activities at railroad terminals, switching yards, and maintenance yards, and herbicides used for vegetation management. Waste materials can include waste oil, solvents, degreasers, antifreeze solutions, radiator flush, acids, brake fluids, soiled rags, oil filters, sulfuric acid and battery sludges, and machine chips with residual machining oil and toxic fluids/solids lost during transit. Potential pollutants include oil and grease, TSS, BOD, organics, pesticides, and metals.

**Source Control BMPs:**

- Do not allow discharge to outside areas from toilets while a train is in transit. Pumpout facilities should be used to service these units.
- Use drip pans at hose/pipe connections during liquid transfer and other leak-prone areas.
- During maintenance do not discard debris or waste liquids along the tracks or in railroad yards.

**Applicable Treatment BMPs:** In areas subjected to leaks/spills of oils or other chemicals convey the contaminated stormwater to appropriate treatment such as a sanitary sewer, if approved by the appropriate sewer authority, or, to a CP or API oil/water separator for floating oils, or other treatment, as approved by the local jurisdiction.

## 3.22 BMPs for Recyclers and Scrap Yards

**Description of Pollutant Sources:** Includes businesses that reclaim various materials for resale or for scrap, such as vehicles and vehicle/equipment parts, construction materials, metals, beverage containers, and papers. Potential sources of pollutants include paper, plastic, metal scrap debris, engines, transmissions, radiators, batteries, and other materials that contain fluids or are contaminated with fluids. Other pollutant sources include leachate from metal components, contaminated soil, and the erosion of soil. Activities that can generate pollutants include the transfer, dismantling, and crushing of vehicles and scrap metal; the transfer and removal of fluids; maintenance and cleaning of vehicles, parts, and equipment; and storage of fluids, parts for resale, solid wastes, scrap parts, and materials, equipment and vehicles that contain fluids; generally in uncovered areas. Potential pollutants typically found at vehicle recycle and scrap yards include oil and grease, ethylene and propylene glycol, total suspended solids, BOD, heavy metals, and acidic pH.

**Source control BMPs:**

For facilities subject to Ecology's Industrial Stormwater General Permit refer to BMP Guidance Document #94-146, "Best Management Practices to Prevent Stormwater Pollution at Vehicle Recycler Facilities," Washington Department of Ecology, September 1994 for selection of BMPs. The BMPs in that guidance document can also be applied to scrap material recycling facilities depending on the pollutant sources existing at those facilities and to non-permitted facilities. Implementation of all BMPs required by an NPDES industrial stormwater permit or State Waste Discharge Permit is adequate to comply with Snohomish County Code 7.53 unless these BMPs do not prevent prohibited discharges.

NOTE: A revised guidance document for Vehicle Recycler Facilities was completed in 2006. The document is posted at the Department of Ecology's stormwater web page:

<http://www.ecy.wa.gov/programs/wq/stormwater/index.html>

### **3.23 BMPs for Roof/ Building Drains at Manufacturing and Commercial Buildings**

**Description of Pollutant Sources:** Stormwater runoff from roofs and sides of manufacturing and commercial buildings can be sources of pollutants caused by leaching of roofing materials, building vents, and other air emission sources. Vapors and entrained liquid and solid droplets/particles have been identified as potential pollutants in roof/building runoff. Metals, solvents, acidic/alkaline pH, BOD, and organics, are some of the pollutant constituents identified.

**Source control BMPs:**

- If a roof/building stormwater pollutant source is identified, implement appropriate source control measures such as air pollution control equipment, selection of materials, operational changes, material recycle, process changes, etc.

### **3.24 BMPs for Soil Erosion and Sediment Control at Industrial Sites**

**Description of Pollutant Sources:** Industrial activities on soil areas; exposed and disturbed soils; steep grading; etc. can be sources of sediments that can contaminate stormwater runoff.

**Source control BMPs:**

Implement BMPs from Volume II of this Manual to prevent erosion of exposed or disturbed soil.



### 3.25 BMPs for Spills of Oil and Hazardous Substances

**Description of Pollutant Sources:** Owners or operators of facilities engaged in drilling, producing, gathering, storing, processing, transferring, distributing, refining or consuming oil and/or oil products are required by Federal Law to have a Spill Prevention and Control Plan if the storage capacity of the facility, which is not buried, is 1,320 gallons or more of oil, or any single container with a capacity in excess of 660 gallons and which, due to their location, could reasonably be expected to discharge oil in harmful quantities, as defined in 40 CFR Part 110, into or upon the navigable waters of the United States or adjoining shorelines {40 CFR 112.1 (b)}. Onshore and offshore facilities, which, due to their location, could not reasonably be expected to discharge oil into or upon the navigable waters of the United States or adjoining shorelines are exempt from these regulations {40 CFR 112.1(1)(i)}. Owners of businesses that produce Dangerous Wastes are also required by State Law to have a spill control plan. These businesses should refer to Appendix IV-D R.6. The federal definition of oil is oil of any kind or any form, including, but not limited to petroleum, fuel oil, sludge, oil refuse, and oil mixed with wastes other than dredged spoil.

**Source control BMPs:** The businesses and public agencies identified in Appendix IV-A that are required to prepare and implement an Emergency Spill Cleanup Plan shall implement the following:

- Prepare an Emergency Spill Control Plan (SCP), which includes:
  - A description of the facility including the owner's name and address;
  - The nature of the activity at the facility;
  - The general types of chemicals used or stored at the facility;
  - A site plan showing the location of storage areas for chemicals, the locations of storm drains, the areas draining to them, and the location and description of any devices to stop spills from leaving the site such as positive control valves;
  - Cleanup procedures;
  - Notification procedures to be used in the event of a spill, such as notifying key personnel. Agencies such as Ecology, local fire department, Washington State Patrol, and the local Sewer Authority, shall be notified;
  - The name of the designated person with overall spill cleanup and notification responsibility;
- Train key personnel in the implementation of the Emergency SCP.

### 3.25 BMPs for Spills of Oil and Hazardous Substances

Prepare a summary of the plan and post it at appropriate points in the building, identifying the spill cleanup coordinators, location of cleanup kits, and phone numbers of regulatory agencies to be contacted in the event of a spill;

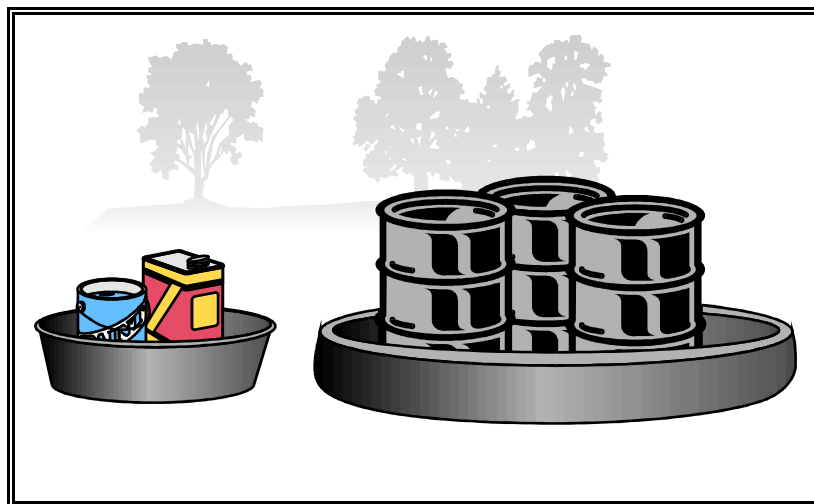
- Update the SCP regularly;
- Immediately notify Ecology and the local Sewer Authority if a spill may reach sanitary or storm sewers, ground water, or surface water, in accordance with federal and Ecology spill reporting requirements;
- Immediately clean up spills. Do not use emulsifiers for cleanup unless an appropriate disposal method for the resulting oily wastewater is implemented. Absorbent material shall not be washed down a floor drain or storm sewer; and,
- Locate emergency spill containment and cleanup kit(s) in high potential spill areas. The contents of the kit shall be appropriate for the type and quantities of chemical liquids stored at the facility.

Spill kits should include appropriately lined drums, absorbent pads, and granular or powdered materials for neutralizing acids or alkaline liquids where applicable. In fueling areas: absorbent should be packaged in small bags for easy use and small drums should be available for storage of absorbent and/or used absorbent. Spill kits should be deployed in a manner that allows rapid access and use by employees.

### 3.26 BMPs for Storage of Liquid Waste, Food Waste, or Dangerous Waste Containers

**Description of Pollutant Sources:** Steel and plastic drums with volumetric capacities of 55 gallons or less are typically used at industrial facilities for container storage of liquids and powders. The BMPs specified below apply to container(s) located outside a building used for temporary storage of accumulated food wastes, vegetable or animal grease, used oil, liquid feedstock or cleaning chemical, or Dangerous Wastes (liquid or solid) unless the business is permitted by Ecology to store the wastes (Appendix IV-D R.4). Leaks and spills of pollutant materials during handling and storage are the primary sources of pollutants. Oil and grease, acid/alkali pH, BOD, COD are potential pollutant constituents.

Figure 3.3 – Secondary Containment System



#### Source control BMPs:

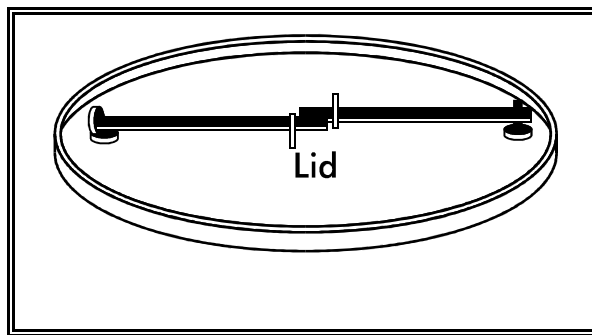
- Place tight-fitting lids on all containers.
- Place drip pans beneath all mounted container taps and at all potential drip and spill locations during filling and unloading of containers.
- Inspect container storage areas regularly for corrosion, structural failure, spills, leaks, overfills, and failure of piping systems. Check containers daily for leaks/spills. Replace containers, and replace and tighten bungs in drums as needed.
- Businesses accumulating Dangerous Wastes that do not contain free liquids need only to store these wastes in a sloped designated area

### 3.26 BMPs for Storage of Liquid Waste, Food Waste, or Dangerous Waste Containers

with the containers elevated or otherwise protected from storm water run-on.

- Drums stored in an area where unauthorized persons may gain access must be secured in a manner that prevents accidental spillage, pilferage, or any unauthorized use (see Figure 3.4).

Figure 3.4 – Locking System for Drum Lid



- If the material is a Dangerous Waste, the business owner must comply with any additional Ecology requirements as specified in Appendix IV-D R.3.
- Storage of reactive, ignitable, or flammable liquids must comply with the Uniform Fire Code (Appendix IV-D R.2).
- Cover dumpsters, or keep them under cover such as a lean-to, to prevent the entry of stormwater. Replace or repair leaking garbage dumpsters.
- Drain dumpsters and/or dumpster pads to sanitary sewer. Keep dumpster lids closed. Install waterproof liners.

### 3.27 BMPs for Storage of Liquids in Permanent Above-ground Tanks

**Description of Pollutant Sources:** Above-ground tanks containing liquids (excluding uncontaminated water) may be equipped with a valved drain, vent, pump, and bottom hose connection. They may be heated with steam heat exchangers equipped with steam traps. Leaks and spills can occur at connections and during liquid transfer. Oil and grease, organics, acids, alkalis, and heavy metals in tank water and condensate drainage can also cause stormwater contamination at storage tanks.

**Source control BMPs:**

- Inspect the tank containment areas regularly to identify problem components such as fittings, pipe connections, and valves, for leaks/spills, cracks, corrosion, etc.
- Place adequately sized drip pans beneath all mounted taps and drip/spill locations during filling/unloading of tanks. Valved drain tubing may be needed in mounted drip pans.
- Sweep and clean the tank storage area regularly, if paved.
- Replace or repair tanks that are leaking, corroded, or otherwise deteriorating.
- Provide signage clearly designating storage area and listing the maximum container volume to be stored in the area (based on diked area containment volume).

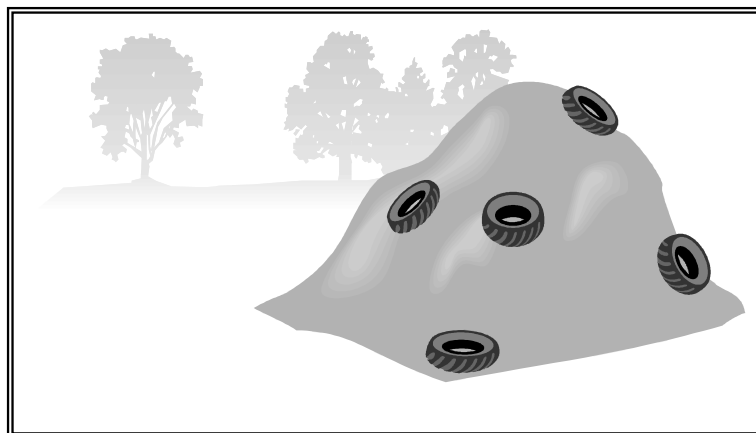
### 3.28 BMPs for Storage or Transfer (Outside) of Solid Raw Materials, By-Products, or Finished Products

**Description of Pollutant Sources:** Solid raw materials, by-products, or products such as gravel, sand, salts, topsoil, compost, logs, sawdust, wood chips, lumber and other building materials, concrete, and metal products sometimes are typically stored outside in large piles, stacks, etc. at commercial or industrial establishments. Contact of outside bulk materials with stormwater can cause leachate, and erosion of the stored materials. Contaminants include TSS, BOD, organics, and dissolved salts (sodium, calcium, and magnesium chloride, etc).

**Source control BMPs:**

- Do not hose down the contained stockpile area to a storm drain or a conveyance to a storm drain or to a receiving water.
- Areas should be sloped to drain stormwater to the perimeter where it can be collected, or to internal drainage “alleyways” where material is not stockpiled.
- Sweep paved storage areas regularly for collection and disposal of loose solid materials.
- Stock cleanup materials, such as brooms, dustpans, and vacuum sweepers near the storage area.
- Place temporary plastic sheeting (polyethylene, polypropylene, hypalon, or equivalent) over the material. See Figure 3.5
- Provide signage clearly designating storage area and listing the maximum container volume to be stored in the area (based on diked area containment volume).

Figure 3.5 – Material Covered with Plastic Sheet



### **3.29 BMPs for Washing and Steam Cleaning Vehicles/ Equipment/ Building Structures**

**Description of Pollutant Sources: Discharge of wash water or other wastewater to the storm sewer system is prohibited by federal law and Snohomish County code.** Vehicles, aircraft, vessels, and transportation, restaurant cooking, carpet cleaning, and industrial equipment, and large buildings may be commercially cleaned with low or high pressure water or steam. This includes frequent “charity” car washes at gas stations and commercial parking lots. The cleaning can include hand washing, scrubbing, sanding, etc. Washwater from cleaning activities can contain oil and grease, suspended solids, heavy metals, soluble organics, soaps, and detergents that can contaminate stormwater.

**See Chapter 5 for source control BMPs required for new development or redevelopment of facilities that will conduct washing practices outside.**

#### **Source control BMPs:**

- For infrequent non-standard activities such as charity car washed, a temporary wastewater collection and pumping system may be employed, such as a pump placed in a catch basin insert that pumps the wastewater to a sanitary sewer manhole. Such kits are available for loan from Snohomish County Surface Water Management. This type of wastewater collection system is not to be used for washing operations that are part of standard operations at a facility.

### 3.30 BMPs for Wood Treatment Facilities

**NOTE:** A wood treatment facility is required to operate under an individual NPDES stormwater permit. SCC Chapter 7.53 states that full implementation of all BMPs required by an NPDES industrial stormwater permit shall constitute compliance with that code chapter.

**Description of Pollutant Sources:** Wood treatment includes both antistaining and wood preserving using pressure processes or by dipping or spraying. Wood preservatives include creosote, creosote/coal tar, pentachlorophenol, copper naphthenate, arsenic trioxide, malathion, or inorganic arsenicals such as chromated copper arsenate, acid copper chromate, chromate zinc chloride, and fluor-chrome-arsenate-phenol. Anti-staining chemical additives include iodo-propenyl-butyl carbamate, dimethyl sulfoxide, didecyl dimethyl ammonium chloride, sodium azide, 8-quinolinol; copper (II) chelate, sodium ortho-phenylphenate, 2-(thiocyanomethylthio)-benzothiazole (TCMTB) and methylene bis-(thiocyanate), and zinc naphthenate. Pollutant sources include drips of condensate or preservative after pressurized treatment; product washwater (in the treatment or storage areas), spills and leaks from process equipment and preservative tanks, fugitive emissions from vapors in the process, blowouts and emergency pressure releases, and kick-back from lumber (phenomenon where preservative leaks as it returns to normal pressure). Potential pollutants typically include the wood treating chemicals, BOD, suspended solids, oil and grease, benzene, toluene, ethylbenzene, phenol, chlorophenols, nitrophenols, heavy metals, and PAH depending on the chemical additive used.

**Source control BMPs:**

- All source control BMPs set forth in the individual NPDES stormwater permit must be implemented.
- Cover and/or enclose wood treatment areas, and perform them on an impervious surface with appropriate berming or other means to prevent stormwater runoff and run-on.
- Cover storage areas for freshly treated wood to prevent contact of treated wood products with stormwater. Segregate clean stormwater from process water. Ensure that all process water is conveyed to an approved treatment system.
- Elevate stored, treated wood products to prevent contact with stormwater run-on and runoff.



### 3.31 BMPs for Swimming Pool and Spa Maintenance

**Description of Pollutant Sources:** The primary pollutants of concern in water found in swimming pools and spas are chlorine and bromine compounds, which are used as disinfectants and algicides. Algicides may also contain copper. Snohomish County Code Chapter 7.53 allows the discharge of water from swimming pools and spas, other than swimming pool cleaning wastewater and filter backwash, provided that the discharge:

- contains less than 0.1 milligram per liter of chlorine
- does not contain algicides other than chlorine or bromine, and
- does not contain other contaminants, including but not limited to algae, solids, excessively high or low pH, and hypoxic water.

In addition, the discharge rate must be controlled in order to avoid resuspension and transport of sediment in downstream drainage systems.

**Source control BMPs:**

- Discharge water to a sanitary sewer or infiltrate on site, if possible.
- If discharge to sanitary sewer or on-site infiltration is not possible:
  - Test pH and chlorine or bromine levels with a standard pool test kit. Adjust pH to between 6.5 and 8.5, and dechlorinate with sodium thiosulfate or similar dechlorination compound to less than 0.1 milligrams per liter of chlorine prior to discharge.
  - Filter water until clear to remove algae and solids before discharge. As an alternative to filtration using the pool filter, pump water through a nonwoven geotextile erosion control filter. This should adequately remove algae and solids and allow reoxygenation of water.
  - Limit discharge rate to 20 gpm unless otherwise authorized by Snohomish County staff.

## **Chapter 4 - Additional Recommended Source Control BMPs For Specific Activities Or Land Uses**

---

Chapter 4 contains additional pollution source control recommendations and information for specific activities or types of sites, using the same indexing system for specific activities and land uses as in Chapter 3, which contains required BMPs. The recommendations and information in Chapter 4 are not directly required by SCC Chapter 7.53, but may be required through enforcement of that code if polluted discharges occur.

## 4.1 BMPs for the Building, Repair, and Maintenance of Boats and Ships

**NOTE:** All boatyards in Washington State with haul out facilities are required to be covered under the NPDES General Permit for Boatyard Activities. All shipyards in Washington State with haul out facilities such as drydocks, graving docks, marine railways or synchrolifts are required to be covered under an individual NPDES Permit. Any facility conducting boatyard or shipyard activities strictly from dockside, with no vessel haul out, must be covered by the NPDES General Stormwater Permit for Industrial Activities. SCC Chapter 7.53 states that full implementation of all BMPs required by an NPDES industrial stormwater permit shall constitute compliance with that code chapter.

**Description of Pollutant Sources:** Sources of pollutants at boat and shipbuilding, repair, and maintenance at boatyards, shipyards, ports, and marinas include pressure washing, surface preparation, paint removal, sanding, painting, engine maintenance and repairs, and material handling and storage, if conducted outdoors. Potential pollutants include spent abrasive grits, solvents, oils, ethylene glycol, washwater, paint over-spray, cleaners/ detergents, anti-corrosive compounds, paint chips, scrap metal, welding rods, resins, glass fibers, dust, and miscellaneous trash. Pollutant constituents include TSS, oil and grease, organics, copper, lead, tin, and zinc.

### **Recommended Source Control BMPs:**

- All source control BMPs for this activity/land use are required and found in section 3.1.

## 4.2 BMPs for Commercial Animal Handling Areas

**Description of Pollutant Sources:** Animals at racetracks, kennels, fenced pens, veterinarians, and businesses that provide boarding services for horses, dogs, cats, etc., can generate pollutants from the following activities: manure deposits, animal washing, grazing and any other animal handling activity that could contaminate stormwater. Pollutants can include coliform bacteria, nutrients, and total suspended solids.

### **Recommended Source Control BMPs**

- Prevent stormwater run-on and contact with manure or soils from facility roofs by infiltrating roof drains or using low impact development techniques as identified in the Puget Sound Partnership Technical Guidance Manual available at [http://www.psp.wa.gov/our\\_work/stormwater/lid/lid\\_manual.htm](http://www.psp.wa.gov/our_work/stormwater/lid/lid_manual.htm), or the Natural Resource Soil and Conservation Technical guidance manual available by calling the Snohomish Conservation District at 425-335-5634. Be aware that implementing measures in these guidance manuals may require obtaining building permits subject to land use code review. To determine if permits are required, or land use codes apply, call Snohomish County Planning and Development Services at 425-388-3311.

### 4.3 BMPs for Commercial Composting

**Description of Pollutant Sources:** Commercial compost facilities, operating outside without cover, require large areas to decompose wastes and other feedstocks. These facilities should be designed to separate stormwater from leachate (i.e., industrial wastewater) to the greatest extent possible. When stormwater is allowed to contact any active composting areas, including waste receiving and processing areas, it becomes leachate. Pollutants in leachate include nutrients, biochemical oxygen demand (BOD), organics, coliform bacteria, acidic pH, color, and suspended solids. Stormwater at a compost facility consists of runoff from areas at the facility that are not associated with active processing and curing, such as product storage areas, vehicle maintenance areas, and access roads.

**Recommended Source Control BMPs:**

- All source control BMPs for this activity/land use are required and found in section 3.3.

## 4.4 BMPs for Commercial Printing Operations

**Description of Pollutant Sources:** Materials used in the printing process include inorganic and organic acids, resins, solvents, polyester film, developers, alcohol, vinyl lacquer, dyes, acetates, and polymers. Waste products may include waste inks and ink sludge, resins, photographic chemicals, solvents, acid and alkaline solutions, chlorides, chromium, zinc, lead, spent formaldehyde, silver, plasticizers, and used lubricating oils. As the printing operations are conducted indoors, the only likely points of potential contact with stormwater are the outside temporary storage of waste materials and offloading of chemicals at external unloading bays. Pollutants can include TSS, pH, heavy metals, oil and grease, and COD.

### **Recommended Source Control BMPs:**

- Try to use press washes without listed solvents, and with the lowest VOC content possible. Don't evaporate ink cleanup trays to the outside atmosphere.

For additional information on pollution prevention, the following Washington Department of Ecology publications are recommended: A Guide for Screen Printers, Publication #94-137 and A Guide for Lithographic Printers, Publication #94-139.

## 4.5 BMPs for Deicing and Anti-Icing Operations - Airports and Aircraft

**Description of Pollutant Sources:** Deicing and/or anti-icing compounds are used on airport runways and aircraft to control ice and snow. Typically ethylene glycol and propylene glycol are deicers used on aircraft. The deicing and anti-icing compounds become pollutants when they are conveyed to storm drains or to surface water after application. Leaks and spills of these chemicals can also occur during their handling and storage.

### ***BMPs for Airport De/anti-icing Operations***

*EPA is currently studying airport deicing as part of the pretreatment regulations (40 CFR 403). These regulations are not expected to be promulgated for several years.*

**Pollutant Control Approach for Aircraft:** Spent glycol discharges in aircraft application areas are process wastewaters that are regulated under Ecology's industrial stormwater general permit. (Contact the Ecology Regional Office for details.) BMPs for aircraft de/anti-icers must be consistent with aviation safety and the operational needs of the aircraft operator.

### **Recommended Source control BMPs for aircraft:**

- Establish a centralized aircraft de/anti-icing facility, if feasible and practicable, or in designated areas of the tarmac equipped with separate collection drains for the spent deicer liquids. Consider installing an aircraft de/anti-icing chemical recovery system, or contract with a chemical recycler, if practicable.

### **Recommended Source control BMPs for airport runways/taxiways:**

- Include limits on toxic materials and phosphorous in the specifications for de/anti-icers, where applicable.
- Consider using anti-icing materials rather than deicers if it will result in less adverse environmental impact.
- Select cost-effective de/anti-icers that cause the least adverse environmental impact.

## 4.6 BMPs for Deicing and Anti-Icing Operations – Commercial Parking Lots and Paved Areas

**Description of Pollutant Sources:** Deicing and/or anti-icing compounds are used on paved surfaces to control ice and snow. Common pavement deicers include calcium magnesium acetate (CMA), calcium chloride, magnesium chloride, sodium chloride, urea, and potassium acetate. The deicing and anti-icing compounds become pollutants when they are conveyed to storm drains or to surface water after application. Leaks and spills of these chemicals can also occur during their handling and storage.

### **Recommended Source Control BMPs**

- Intensify pavement cleaning in early spring to help remove particulates from paved surfaces.
- Include limits on toxic metals in the specifications for de/anti-icers.



## 4.7 BMPs for Dust Control at Unpaved Commercial Or Industrial Sites

**Description of Pollutant Sources:** Dust can cause air and water pollution problems particularly at demolition sites and in arid areas where reduced rainfall exposes soil particles to transport by air.

### **Recommended Source Control BMPs:**

- Consider paving unpaved permanent roads and other trafficked areas at commercial and industrial areas.
- Consider paving or stabilizing shoulders of paved roads with gravel, vegetation.
- Encourage use of alternate paved routes, if available.
- Vacuum or wet sweep fine dirt and skid control materials from paved roads soon after winter weather ends or when needed.
- Consider using traction sand that is pre-washed to reduce dust emissions.
- Stabilize dust-generating soil by growing and maintaining vegetation, mulching, topsoiling, and/or applying stone, sand, or gravel.
- Apply windbreaks in the soil such as trees, board fences, tarp curtains, bales of hay, etc.
- Cover dust-generating piles with wind-impervious fabric, or equivalent material as much as feasible.
- Prepare a dust control plan. Helpful references include: Control of Open Fugitive Dust Sources (EPA-450/3-88-088), and Fugitive Dust Background Document and Technical Information Document for Best Available Control Measures (EPA-450/2-92-004)

## 4.8 BMPs for Dust Control at Manufacturing Areas

**Description of Pollutant Sources:** Industrial material handling activities can generate considerable amounts of dust that is typically removed using exhaust systems. This can generate air emissions that can contaminate stormwater. Dusts can be generated at cement and concrete products mixing, and wherever powdered materials are handled. Particulate materials that are of concern to air pollution control agencies include grain dust, sawdust, coal, gravel, crushed rock, cement, and boiler fly ash. The objective of this BMP is to reduce the stormwater pollutants caused by dust generation and control.

### **Recommended Source Control BMPs:**

- Clean, as needed, powder material handling equipment and vehicles that can be sources of stormwater pollutants, to remove accumulated dust and residue.
- Use dust filtration/collection systems such as bag house filters, cyclone separators, etc. to control vented dust emissions that could contaminate stormwater. Control of zinc dusts in rubber production is one example.
- Use water spray to flush dust accumulations to sanitary sewers where allowed by the local sewer authority or to other appropriate treatment system.
- Use approved dust suppressants such as those listed in Ecology Publication “Techniques for Dust Prevention and Suppression,” #96-433. (Ecology, 1996). Application of some products may not be appropriate in close proximity to receiving waters or conveyances close to receiving waters. For more information check with the Ecology Regional Office.

## 4.9 BMPs for Fueling At Dedicated Stations

**Description of Pollutant Sources:** A fueling station is a facility dedicated to the transfer of fuels from a stationary pumping station to mobile vehicles or equipment. It includes above or under-ground fuel storage facilities. In addition to general service gas stations, fueling may also occur at 24-hour convenience stores, construction sites, warehouses, car washes, manufacturing establishments, port facilities, and businesses with fleet vehicles. Typically, stormwater contamination at fueling stations is caused by leaks/spills of fuels, lube oils, radiator coolants, and vehicle washwater.

**Recommended Source Control BMPs:**

- All source control BMPs for this activity/land use are required and found in section 3.9.

## 4.10 BMPs for Landscaping and Lawn/Vegetation Management at Commercial Sites or Performed Commercially at Other Sites

**Description of Pollutant Sources:** Landscaping can include grading, soil transfer, vegetation removal, pesticide and fertilizer applications, and watering. Stormwater contaminants include toxic organic compounds, heavy metals, oils, total suspended solids, coliform bacteria, fertilizers, and pesticides.

Lawn and vegetation management can include control of objectionable weeds, insects, mold, bacteria and other pests with chemical pesticides and is conducted commercially at commercial, industrial, and residential sites. Examples include weed control on golf course lawns, access roads, and utility corridors and during landscaping; sap stain and insect control on lumber and logs; rooftop moss removal; killing nuisance rodents; fungicide application to patio decks, and residential lawn/plant care. Toxic pesticides such as pentachlorophenol, carbamates, and organometallics can be released to the environment by leaching and dripping from treated parts, container leaks, product misuse, and outside storage of pesticide contaminated materials and equipment. Poor management of the vegetation and poor application of pesticides or fertilizers can cause appreciable stormwater contamination.

Pesticide and herbicide pollution can be minimized by developing and implementing an Integrated Pest Management (IPM) Plan. Appendix IV-F contains more information on developing an IPM Plan. If pesticides/herbicides are used they must be carefully applied in accordance with label instructions on U.S. Environmental Protection Agency (EPA) registered materials. Maintain appropriate vegetation, with proper fertilizer application where practicable, to control erosion and the discharge of stormwater pollutants. Where practicable grow plant species appropriate for the site, or adjust the soil properties of the subject site to grow desired plant species.

### **Recommended Source Control BMPs for Landscaping:**

- Conduct mulch-mowing whenever practicable
- Dispose of grass clippings, leaves, sticks, or other collected vegetation, by composting, if feasible.
- Use mulch or other erosion control measures when soils are exposed for more than one week during the dry season or two days during the rainy season.
- If feasible, till fertilizers into the soil rather than dumping or broadcasting onto the surface. Determine the proper fertilizer application for the types of soil and vegetation encountered.

## 4.10 BMPs for Landscaping and Lawn/Vegetation Management at Commercial Sites or Performed Commercially at Other Sites

- Consider tilling a topsoil mix or composted organic material into the soil to create a well-mixed transition layer that encourages deeper root systems and drought-resistant plants.
- Consider using manual and/or mechanical methods of vegetation removal rather than applying herbicides, where practical.

### **Recommended Source Control BMPs for the Use of Pesticides:**

- Consider developing and implementing an Integrated Pest Management (IPM) Plan (See section on IPM at end of BMP) and use pesticides only as a last resort.
- Implement a pesticide-use plan and include at a minimum: a list of selected pesticides and their specific uses; brands, formulations, application methods and quantities to be used; equipment use and maintenance procedures; safety, storage, and disposal methods; and monitoring, record keeping, and public notice procedures. All procedures shall conform to the requirements of Chapter 17.21 RCW and Chapter 16-228 WAC (Appendix IV-D R.7).
- Consider choosing the least toxic pesticide available that is capable of reducing the infestation to acceptable levels. Any method used should be site-specific and not used wholesale over a wide area.
- Consider alternatives to the use of pesticides such as covering or harvesting weeds, substitute vegetative growth, and manual weed control/moss removal.
- Consider the use of soil amendments, such as compost, that are known to control some common diseases in plants, such as Pythium root rot, ashly stem blight, and parasitic nematodes. The following are three possible mechanisms for disease control by compost addition (USEPA Publication 530-F-9-044):
  1. Successful competition for nutrients by antibiotic production;
  2. Successful predation against pathogens by beneficial microorganism; and
  3. Activation of disease-resistant genes in plants by composts.

*Installing an amended soil/landscape system can preserve both the plant system and the soil system more effectively. This type of approach provides a soil/landscape system with adequate depth, permeability, and organic matter to sustain itself and continue working as an effective stormwater infiltration system and a sustainable nutrient cycle.*

## 4.10 BMPs for Landscaping and Lawn/Vegetation Management at Commercial Sites or Performed Commercially at Other Sites

- Once a pesticide is applied, its effectiveness should be evaluated for possible improvement. Records should be kept showing the applicability and inapplicability of the pesticides considered.
- An annual evaluation procedure should be developed including a review of the effectiveness of pesticide applications, impact on buffers and sensitive areas (including potable wells), public concerns, and recent toxicological information on pesticides used/proposed for use. If individual or public potable wells are located in the proximity of commercial pesticide applications contact the regional Ecology hydrogeologist to determine if additional pesticide application control measures are necessary.

*For more information, contact the WSU Extension Home-Assist Program, (253) 445-4556, or Bio-Integral Resource Center (BIRC), P.O. Box 7414, Berkeley, CA.94707, or the Washington Department of Ecology to obtain "Hazardous Waste Pesticides" (Publication #89-41); and/or EPA to obtain a publication entitled "Suspended, Canceled and Restricted Pesticides" which lists all restricted pesticides and the specific uses that are allowed. Valuable information from these sources may also be available on the internet.*

### **Recommended Source Control BMPs for Vegetation Management:**

- Consider using at least an eight-inch "topsoil" layer with at least 8 percent organic matter to provide a sufficient vegetation-growing medium. Amending existing landscapes and turf systems by increasing the percent organic matter and depth of topsoil can substantially improve the permeability of the soil, the disease and drought resistance of the vegetation, and reduce fertilizer demand. This reduces the demand for fertilizers, herbicides, and pesticides. Organic matter is the least water-soluble form of nutrients that can be added to the soil. Composted organic matter generally releases only between 2 and 10 percent of its total nitrogen annually, and this release corresponds closely to the plant growth cycle. If natural plant debris and mulch are returned to the soil, this system can continue recycling nutrients indefinitely.
- Select the appropriate turfgrass mixture for your climate and soil type. Certain tall fescues and rye grasses resist insect attack because the symbiotic endophytic fungi found naturally in their tissues repel or kill common leaf and stem-eating lawn insects. They do not, however, repel root-feeding lawn pests such as Crane Fly larvae, and are toxic to ruminants such as cattle and sheep. The fungus causes no known adverse effects to the host plant or to humans. Endophytic grasses are

## 4.10 BMPs for Landscaping and Lawn/Vegetation Management at Commercial Sites or Performed Commercially at Other Sites

commercially available and can be used in areas such as parks or golf courses where grazing does not occur. The local Cooperative Extension office can offer advice on which types of grass are best suited to the area and soil type.

- Use the following seeding and planting BMPs, or equivalent BMPs to obtain information on grass mixtures, temporary and permanent seeding procedures, maintenance of a recently planted area, and fertilizer application rates: Temporary Seeding, Mulching and Matting, Clear Plastic Covering, Permanent Seeding and Planting, and Sodding as described in Volume II).
- Selection of desired plant species can be made by adjusting the soil properties of the subject site. For example, a constructed wetland can be designed to resist the invasion of reed canary grass by layering specific strata of organic matters (e.g., compost forest product residuals) and creating a mildly acidic pH and carbon-rich soil medium. Consult a soil restoration specialist for site-specific conditions.
- Aerate lawns regularly in areas of heavy use where the soil tends to become compacted. Aeration should be conducted while the grasses in the lawn are growing most vigorously. Remove layers of thatch greater than ¾-inch deep.
- Mowing is a stress-creating activity for turfgrass. When grass is mowed too short its productivity is decreased and there is less growth of roots and rhizomes. The turf becomes less tolerant of environmental stresses, more disease prone and more reliant on outside means such as pesticides, fertilizers and irrigation to remain healthy. Set the mowing height at the highest acceptable level and mow at times and intervals designed to minimize stress on the turf. Generally mowing only 1/3 of the grass blade height will prevent stressing the turf.

### ***Irrigation:***

- The depth from which a plant normally extracts water depends on the rooting depth of the plant. Appropriately irrigated lawn grasses normally root in the top 6 to 12 inches of soil; lawns irrigated on a daily basis often root only in the top 1 inch of soil. Improper irrigation can encourage pest problems, leach nutrients, and make a lawn completely dependent on artificial watering. The amount of water applied depends on the normal rooting depth of the turfgrass species used, the available water holding capacity of the soil, and the efficiency of the irrigation system. Consult with the local water utility, Snohomish Conservation District, or Cooperative Extension office to

## 4.10 BMPs for Landscaping and Lawn/Vegetation Management at Commercial Sites or Performed Commercially at Other Sites

help determine optimum irrigation practices.

- Minimize runoff from lawn and landscape irrigation by not overwatering, and by directing spray from sprinklers onto the landscaped area and away from paved areas.

### ***Fertilizer Management:***

- Turfgrass is most responsive to nitrogen fertilization, followed by potassium and phosphorus. Fertilization needs vary by site depending on plant, soil and climatic conditions. Evaluation of soil nutrient levels through regular testing ensures the best possible efficiency and economy of fertilization. For details on soils testing, contact the local Conservation District or Cooperative Extension Service.
- Fertilizers should be applied in amounts appropriate for the target vegetation and at the time of year that minimizes losses to surface and ground waters. Do not fertilize during a drought or when the soil is dry. Alternatively, do not apply fertilizers within three days prior to predicted rainfall. The longer the period between fertilizer application and either rainfall or irrigation, the less fertilizer runoff occurs.
- Use slow release fertilizers such as methylene urea, IDBU, or resin coated fertilizers when appropriate, generally in the spring. Use of slow release fertilizers is especially important in areas with sandy or gravelly soils.
- Time the fertilizer application to periods of maximum plant uptake. Generally fall and spring applications are recommended, although WSU turf specialists recommend four fertilizer applications per year.

### ***Integrated Pest Management***

An IPM program might consist of the following steps:

- Step 1: Correctly identify problem pests and understand their life cycle
- Step 2: Establish tolerance thresholds for pests.
- Step 3: Monitor to detect and prevent pest problems.
- Step 4: Modify the maintenance program to promote healthy plants and discourage pests.
- Step 5: Use cultural, physical, mechanical, or biological controls first if pests exceed the tolerance thresholds.
- Step 6: Evaluate and record the effectiveness of the control and modify maintenance practices to support lawn or landscape recovery and prevent recurrence.



#### **4.10 BMPs for Landscaping and Lawn/Vegetation Management at Commercial Sites or Performed Commercially at Other Sites**

For an elaboration of these steps refer to Appendix IV-F.

## 4.11 BMPs for Loading and Unloading Areas for Liquid or Solid Material

**Description of Pollutant Sources:** Loading/unloading of liquid and solid materials at industrial and commercial facilities are typically conducted at shipping and receiving, outside storage, fueling areas, etc. Materials transferred can include products, raw materials, intermediate products, waste materials, fuels, scrap metals, etc. Leaks and spills of fuels, oils, powders, organics, heavy metals, salts, acids, alkalis, etc. during transfer are potential causes of stormwater contamination. Spills from hydraulic line breaks are a common problem at loading docks.

### **Recommended Source Control BMPs:**

- All source control BMPs for this activity/land use are required and found in section 3.11.

## 4.12 BMPs for Log Sorting and Handling

**Description of Pollutant Sources:** Log yards are paved or unpaved areas where logs are transferred, sorted, debarked, cut, and stored to prepare them for shipment or for the production of dimensional lumber, plywood, chips, poles, or other products. Log yards are generally maintained at sawmills, shipping ports, and pulp mills. Typical pollutants include oil and grease, BOD, settleable solids, total suspended solids (including soil), high and low pH, heavy metals, pesticides, wood-based debris, and leachate.

**Recommended Source Control BMPs:**

- All source control BMPs for this activity/land use are required and found in section 3.12.

## 4.13 BMPs for Maintenance and Repair of Vehicles and Equipment

**Description of Pollutant Sources:** Pollutant sources include parts/vehicle cleaning, spills/leaks of fuel and other liquids, replacement of liquids, outdoor storage of batteries/liquids/parts, and vehicle parking.

### **Recommended Source Control BMPs:**

- Consider storing damaged vehicles inside a building or other covered containment, until all liquids are removed. Remove liquids from vehicles retired for scrap.
- Clean parts with aqueous detergent based solutions or non-chlorinated solvents such as kerosene or high flash mineral spirits, and/or use wire brushing or sand blasting whenever practicable. Avoid using toxic liquid cleaners such as methylene chloride, 1,1,1-trichloroethane, trichloroethylene or similar chlorinated solvents. Choose cleaning agents that can be recycled.
- Avoid hosing down work areas. Use dry methods for cleaning leaked fluids.
- Recycle greases, used oil, oil filters, antifreeze, cleaning solutions, automotive batteries, hydraulic fluids, transmission fluids, and engine oils (see Appendix IV-C).
- Do not mix dissimilar or incompatible waste liquids stored for recycling.
- For additional recommended source control BMPs refer to the following BMPs:
  - Fueling at Dedicated Stations
  - Washing and Steam Cleaning
  - Vehicle/Equipment/Building Structures
  - Loading and Unloading Areas for Liquid or Solid Material
  - Storage of Liquids in Permanent Above-Ground Tanks
  - Storage of Liquid, Food Waste, or Dangerous Waste Containers
  - Storage or Transfer (Outside) of Solid Raw Materials, By-Products, or Finished Products
  - Spills of Oil and Hazardous Substances
  - Illicit Connections to Storm Drains

## 4.14 BMPs for Maintenance of Public and Private Utility Corridors and Facilities

**Description of Pollutant Sources:** Passageways and equipment at petroleum product, natural gas, and water pipelines, and electrical power transmission corridors and rights-of-way can be sources of pollutants such as herbicides used for vegetation management, and eroded soil particles from unpaved access roads. At pump stations waste materials generated during maintenance activities may be temporarily stored outside. Additional potential pollutant sources include the leaching of preservatives from wood utility poles, PCBs in older transformers, water that is removed from underground transformer vaults, and leaks/spills from petroleum pipelines. The following are potential pollutants: oil and grease, TSS, BOD, organics, PCB, pesticides, and heavy metals.

### **Recommended Source control BMPs:**

- Within utility corridors, consider preparing maintenance procedures and an implementation schedule that provides for a vegetative, gravel, or equivalent cover that minimizes bare or thinly vegetated ground surfaces within the corridor, to prevent the erosion of soil.
- Provide maintenance practices to prevent stormwater from accumulating and draining across and/or onto roadways. Stormwater should be conveyed through roadside ditches and culverts. The road should be crowned, outsloped, water barred or otherwise left in a condition not conducive to erosion. Appropriately maintaining grassy roadside ditches discharging to surface waters is an effective way of removing some pollutants associated with sediments carried by stormwater.
- When selecting utility poles for a specific location, consideration should be given to the potential environmental effects of the pole or poles during storage, handling, and end-use, as well as its cost, safety, efficacy and expected life. If a wood product treated with chemical preservatives is used, it should be made in accordance with generally accepted industry standards such as the American Wood Preservers Association Standards. If the pole or poles will be placed in or near an environmentally sensitive area, such as a wetland or a drinking water well, alternative materials or technologies should be considered. These include poles constructed with material(s) other than wood such as fiberglass composites, metal, or concrete. Other technologies and materials, such as sleeves or caissons for wood poles, may also be considered when they are determined to be practicable and available.
- As soon as practicable remove all litter from wire cutting/replacing operations, etc.

## 4.15 BMPs for Maintenance of Roadside Ditches

**Description of Pollutant Sources:** Common road debris including eroded soil, oils, vegetative particles, and heavy metals can be sources of stormwater pollutants.

**Recommended Source Control BMPs:**

- Conduct ditch maintenance (seeding, fertilizer application, harvesting) in late spring and/or early fall, where possible. This allows vegetative cover to be re-established by the next wet season thereby minimizing erosion of the ditch as well as making the ditch effective as a biofilter.
- In the area between the edge of the pavement and the bottom of the ditch, commonly known as the “bare earth zone,” use grass vegetation, wherever possible. Vegetation should be established from the edge of the pavement if possible, or at least from the top of the slope of the ditch.
- Roadside ditch cleanings, not contaminated by spills or other releases and not associated with a stormwater treatment system such as a bioswale, may be screened to remove litter and separated into soil and vegetative matter (leaves, grass, needles, branches, etc.). The soil fraction may be handled as ‘clean soils’ and the vegetative matter can be composted or disposed of in a municipal waste landfill. For more information, please see “Recommendations for Management of Street Wastes,” in Appendix IV-G of this volume.

## 4.16 BMPs for Maintenance of Stormwater Drainage and Treatment Systems

**Description of Pollutant Sources:** Facilities include roadside catch basins on arterials and within residential areas, conveyance systems, detention facilities such as ponds and vaults, oil and water separators, biofilters, settling basins, infiltration systems, and all other types of stormwater treatment systems presented in Volume V. Roadside catch basins can remove from 5 to 15 percent of the pollutants present in stormwater. When catch basins are about 60 percent full of sediment, they cease removing sediments. Oil and grease, hydrocarbons, debris, heavy metals, sediments and contaminated water are found in catch basins, oil and water separators, settling basins, etc.

### **Recommended Source control BMPs:**

Maintain stormwater treatment facilities according to the O & M procedures presented in Section 4.6 of Volume V in addition to the following BMPs:

- Post warning signs; “Dump No Waste - Drains to Ground Water,” “Streams,” “Lakes,” or emboss on or adjacent to all storm drain inlets *where practical*.

Select additional BMPs from this chapter depending on the pollutant sources and activities conducted at the facility. Those BMPs include:

- BMPs for Soil Erosion and Sediment Control at Industrial Sites
- BMPs for Storage of Liquid, Food Waste, or Dangerous Waste Containers
- BMPs for Spills of Oil and Hazardous Substances
- BMPs for Illicit Connections to Storm Drains
- BMPs for Urban Streets.

## 4.17 BMPs for Manufacturing Activities - Outside

**Description of Pollutant Sources:** Manufacturing pollutant sources include outside process areas, stack emissions, and areas where manufacturing activity has taken place in the past and significant pollutant materials remain and are exposed to stormwater.

**Recommended Source control BMPs:**

- Berm or slope the floor as needed to prevent drainage of pollutants to outside areas.
- Isolate and segregate pollutants as feasible. Convey the segregated pollutants to a sanitary sewer, process treatment or a dead-end sump depending on available methods and applicable permit requirements.



## 4.18 BMPs for Mobile Fueling of Vehicles and Heavy Equipment

**Description of Pollutant Sources:** Mobile fueling, also known as fleet fueling, wet fueling, or wet hosing, is the practice of filling fuel tanks of vehicles by tank trucks that are driven to the yards or sites where the vehicles to be fueled are located. Mobile fueling is only conducted using diesel fuel, as mobile fueling of gasoline is prohibited. Diesel fuel is considered as a Class II Combustible Liquid, whereas gasoline is considered as a Flammable Liquid. Historically mobile fueling has been conducted for off-road vehicles that are operated for extended periods of time in remote areas. This includes construction sites, logging operations, and farms. Mobile fueling of onroad vehicles is also conducted commercially in the State of Washington. *Note that some local fire departments may have restrictions on mobile fueling practices.*

### **Recommended Source control BMPs:**

Organizations and individuals conducting mobile fueling operations must implement the following BMPs. The operating procedures for the driver/operator should be simple, clear, effective and their implementation verified by the organization that will potentially be liable for environmental and third party damage.

- Ensure the compliance with all 49 CFR 178 requirements for DOT 406 cargo tanker. Documentation from a Department of Transportation (DOT) Registered Inspector shall be proof of compliance.

#### **4.19 BMPs for Painting/Finishing/ Coating of Vehicles/Boats/ Buildings/ Equipment**

**Description of Pollutant Sources:** Surface preparation and the application of paints, finishes and/or coatings to vehicles, boats, buildings, and/or equipment outdoors can be sources of pollutants. Potential pollutants include organic compounds, oils and greases, heavy metals, and suspended solids.

**Recommended Source control BMPs:**

- Clean brushes and tools covered with non-water-based paints, finishes, or other materials in a manner that allows collection of used solvents (e.g., paint thinner, turpentine, xylol, etc.) for recycling or proper disposal.
- Recycle paint, paint thinner, solvents, pressure washwater, and any other recyclable materials.
- Use efficient spray equipment such as electrostatic, air-atomized, high volume/low pressure, or gravity feed spray equipment.
- Purchase recycled paints, paint thinner, solvents, and other products if feasible.
- Enclose and/or contain all work while using a spray gun or conducting sand blasting and in compliance with applicable air pollution control, OSHA, and WISHA requirements. Do not conduct outside spraying, grit blasting, or sanding activities during windy conditions which render containment ineffective.

## 4.20 BMPs for Parking and Storage of Vehicles and Equipment

**Description of Pollutant Sources:** Public and commercial parking lots such as retail store, fleet vehicle (including rent-a-car lots and car dealerships), equipment sale and rental parking lots, and parking lot driveways, can be sources of toxic hydrocarbons and other organic compounds, oils and greases, metals, and suspended solids caused by the parked vehicles.

**Recommended Source control BMPs:**

- All source control BMPs for this activity/land use are required and found in section 3.20.

## 4.21 BMPs for Railroad Yards

**Description of Pollutant Sources:** Pollutant sources can include drips/leaks of vehicle fluids onto the railroad bed, human waste disposal, litter, locomotive/railcar/equipment cleaning areas, fueling areas, outside material storage areas, the erosion and loss of soil particles from the railroad bed, maintenance and repair activities at railroad terminals, switching yards, and maintenance yards, and herbicides used for vegetation management. Waste materials can include waste oil, solvents, degreasers, antifreeze solutions, radiator flush, acids, brake fluids, soiled rags, oil filters, sulfuric acid and battery sludges, and machine chips with residual machining oil and toxic fluids/solids lost during transit. Potential pollutants include oil and grease, TSS, BOD, organics, pesticides, and metals.

**Recommended Source Control BMPs:**

- All source control BMPs for this activity/land use are required and found in section 3.21.

## 4.22 BMPs for Recyclers and Scrap Yards

**Description of Pollutant Sources:** Includes businesses that reclaim various materials for resale or for scrap, such as vehicles and vehicle/equipment parts, construction materials, metals, beverage containers, and papers. Potential sources of pollutants include paper, plastic, metal scrap debris, engines, transmissions, radiators, batteries, and other materials that contain fluids or are contaminated with fluids. Other pollutant sources include leachate from metal components, contaminated soil, and the erosion of soil. Activities that can generate pollutants include the transfer, dismantling, and crushing of vehicles and scrap metal; the transfer and removal of fluids; maintenance and cleaning of vehicles, parts, and equipment; and storage of fluids, parts for resale, solid wastes, scrap parts, and materials, equipment and vehicles that contain fluids; generally in uncovered areas. Potential pollutants typically found at vehicle recycle and scrap yards include oil and grease, ethylene and propylene glycol, total suspended solids, BOD, heavy metals, and acidic pH.

**Recommended Source control BMPs:**

For facilities subject to Ecology's Industrial Stormwater General Permit refer to BMP Guidance Document #94-146, "Best Management Practices to Prevent Stormwater Pollution at Vehicle Recycler Facilities," Washington Department of Ecology, September 1994 for selection of BMPs. The BMPs in that guidance document can also be applied to scrap material recycling facilities depending on the pollutant sources existing at those facilities and to non-permitted facilities. NOTE: At the time of publication, an updated guidance document for Vehicle Recycler Facilities was almost completed. When completed, it will be posted at the Dept. of Ecology's stormwater web page:  
<http://www.ecy.wa.gov/programs/wq/stormwater/index.html>

## 4.23 BMPs for Roof/ Building Drains at Manufacturing and Commercial Buildings

**Description of Pollutant Sources:** Stormwater runoff from roofs and sides of manufacturing and commercial buildings can be sources of pollutants caused by leaching of roofing materials, building vents, and other air emission sources. Vapors and entrained liquid and solid droplets/particles have been identified as potential pollutants in roof/building runoff. Metals, solvents, acidic/alkaline pH, BOD, and organics, are some of the pollutant constituents identified.

**Recommended Source control BMPs:**

- All source control BMPs for this activity/land use are required and found in section 3.23.

## 4.24 BMPs for Soil Erosion and Sediment Control at Industrial Sites

**Description of Pollutant Sources:** Industrial activities on soil areas; exposed and disturbed soils; steep grading; etc. can be sources of sediments that can contaminate stormwater runoff.

**Recommended Source control BMPs:**

- Implement BMPs from Volume II of this Manual to prevent erosion of exposed or disturbed soil.

## 4.25 BMPs for Spills of Oil and Hazardous Substances

**Description of Pollutant Sources:** Owners or operators of facilities engaged in drilling, producing, gathering, storing, processing, transferring, distributing, refining or consuming oil and/or oil products are required by Federal Law to have a Spill Prevention and Control Plan if the storage capacity of the facility, which is not buried, is 1,320 gallons or more of oil, or any single container with a capacity in excess of 660 gallons and which, due to their location, could reasonably be expected to discharge oil in harmful quantities, as defined in 40 CFR Part 110, into or upon the navigable waters of the United States or adjoining shorelines {40 CFR 112.1 (b)}. Onshore and offshore facilities, which, due to their location, could not reasonably be expected to discharge oil into or upon the navigable waters of the United States or adjoining shorelines are exempt from these regulations {40 CFR 112.1(1)(i)}. Owners of businesses that produce Dangerous Wastes are also required by State Law to have a spill control plan. These businesses should refer to Appendix IV-D R.6. The federal definition of oil is oil of any kind or any form, including, but not limited to petroleum, fuel oil, sludge, oil refuse, and oil mixed with wastes other than dredged spoil.

**Source control BMPs:** The businesses and public agencies identified in Appendix IV-A that are required to prepare and implement an Emergency Spill Cleanup Plan shall implement the following:

- Prepare an Emergency Spill Control Plan (SCP), which includes:
  - A description of the facility including the owner's name and address;
  - The nature of the activity at the facility;
  - The general types of chemicals used or stored at the facility;
  - A site plan showing the location of storage areas for chemicals, the locations of storm drains, the areas draining to them, and the location and description of any devices to stop spills from leaving the site such as positive control valves;
  - Cleanup procedures;
  - Notification procedures to be used in the event of a spill, such as notifying key personnel. Agencies such as Ecology, local fire department, Washington State Patrol, and the local Sewer Authority, shall be notified;
  - The name of the designated person with overall spill cleanup and notification responsibility;
- Train key personnel in the implementation of the Emergency SCP.



## 4.25 BMPs for Spills of Oil and Hazardous Substances

Prepare a summary of the plan and post it at appropriate points in the building, identifying the spill cleanup coordinators, location of cleanup kits, and phone numbers of regulatory agencies to be contacted in the event of a spill;

- Update the SCP regularly;
- Immediately notify Ecology and the local Sewer Authority if a spill may reach sanitary or storm sewers, ground water, or surface water, in accordance with federal and Ecology spill reporting requirements;
- Immediately clean up spills. Do not use emulsifiers for cleanup unless an appropriate disposal method for the resulting oily wastewater is implemented. Absorbent material shall not be washed down a floor drain or storm sewer; and,
- Locate emergency spill containment and cleanup kit(s) in high potential spill areas. The contents of the kit shall be appropriate for the type and quantities of chemical liquids stored at the facility.

Spill kits should include appropriately lined drums, absorbent pads, and granular or powdered materials for neutralizing acids or alkaline liquids where applicable. In fueling areas: absorbent should be packaged in small bags for easy use and small drums should be available for storage of absorbent and/or used absorbent. Spill kits should be deployed in a manner that allows rapid access and use by employees.

## 4.26 BMPs for Storage of Liquid Waste, Food Waste, or Dangerous Waste Containers

**Description of Pollutant Sources:** Steel and plastic drums with volumetric capacities of 55 gallons or less are typically used at industrial facilities for container storage of liquids and powders. The BMPs specified below apply to container(s) located outside a building used for temporary storage of accumulated food wastes, vegetable or animal grease, used oil, liquid feedstock or cleaning chemical, or Dangerous Wastes (liquid or solid) unless the business is permitted by Ecology to store the wastes (Appendix IV-D R.4). Leaks and spills of pollutant materials during handling and storage are the primary sources of pollutants. Oil and grease, acid/alkali pH, BOD, COD are potential pollutant constituents. See Figure 3.3 – Secondary Containment System (in Chapter 3).

### **Recommended Source control BMPs:**

- All source control BMPs for this activity/land use are required and found in section 3.26.

## 4.27 BMPs for Storage of Liquids in Permanent Above-ground Tanks

**Description of Pollutant Sources:** Above-ground tanks containing liquids (excluding uncontaminated water) may be equipped with a valved drain, vent, pump, and bottom hose connection. They may be heated with steam heat exchangers equipped with steam traps. Leaks and spills can occur at connections and during liquid transfer. Oil and grease, organics, acids, alkalis, and heavy metals in tank water and condensate drainage can also cause stormwater contamination at storage tanks.

**Recommended Source control BMPs:**

- All source control BMPs for this activity/land use are required and found in section 3.27.

## **4.28 BMPs for Storage or Transfer (Outside) of Solid Raw Materials, By-Products, or Finished Products**

**Description of Pollutant Sources:** Solid raw materials, by-products, or products such as gravel, sand, salts, topsoil, compost, logs, sawdust, wood chips, lumber and other building materials, concrete, and metal products sometimes are typically stored outside in large piles, stacks, etc. at commercial or industrial establishments. Contact of outside bulk materials with stormwater can cause leachate, and erosion of the stored materials. Contaminants include TSS, BOD, organics, and dissolved salts (sodium, calcium, and magnesium chloride, etc).

### **Recommended Source control BMPs:**

- If and when feasible, collect and recycle water-soluble materials (leachates) to the stockpile.

## 4.29 BMPs for Washing and Steam Cleaning Vehicles/ Equipment/ Building Structures

**Description of Pollutant Sources: Discharge of wash water or other wastewater to the storm sewer system is prohibited by federal law and Snohomish County code.** Vehicles, aircraft, vessels, and transportation, restaurant cooking, carpet cleaning, and industrial equipment, and large buildings may be commercially cleaned with low or high pressure water or steam. This includes frequent “charity” car washes at gas stations and commercial parking lots. The cleaning can include hand washing, scrubbing, sanding, etc. Washwater from cleaning activities can contain oil and grease, suspended solids, heavy metals, soluble organics, soaps, and detergents that can contaminate stormwater.

- **All source control BMPs for this landuse/activity are required. See Chapter 5 for source control BMPs required for new development or redevelopment of facilities that will conduct washing practices outside.**

## **Chapter 5 - Source Control BMPs Required For New Development and Redevelopment**

---

This chapter sets forth source control BMPs required by SCC Chapter 30.63A - Drainage, for new development or redevelopment involving specified land uses.

Chapter 5.1 lists BMPs required if the associated activities are anticipated at new development or redevelopment of the following types of facilities: airport, asphalt batch plant, auto repair shop, auto towing facility, auto wrecking yard, commercial boat launch, composting facility, construction contracting yard, distillation facility, manufacturing facility, rendering facility, fabrication shop, farm stand, farmers market, fish farm, forge or foundry, fueling station, fuel yard, greenhouse, plant nursery, waste storage or transfer facility, home improvement center, junkyard, laboratory, livestock auction yard, lumberyard, mortuary, motor vehicle or equipment sales facility, motor vehicle and equipment repair facility, petroleum product storage or refining facility, print shop or plant, race track, railroad yard, restaurant, mill, landfill, service station, stables, stockyard, slaughterhouse, livestock feed storage or retail sale facility, tannery, tavern, tire store, tool sales or rental shop, transit center, ultralight airpark, utility facility, veterinary clinic, warehouse, wood treatment facility, yacht or boat club, power generating facility, equestrian center, log scaling facility, metal working facility, resort, or home occupation.

In addition, new development or redevelopment for boatyards, fueling stations, vehicle recycling facilities, motor vehicle and equipment repair facilities, and wood treatment facilities must implement the BMPs set forth for each of these types of facilities in Chapter 5.2.

In all cases, appropriate sensitive area restrictions, spill response requirements, pollution prevention requirements, and source control standards will apply.

## 5.1 BMPs Required For Development Or Redevelopment At Commercial Or Industrial Facilities

### 5.1.1 BMPs for Loading and Unloading Areas for Liquid or Solid Material

**Description of Pollutant Sources:** Loading/unloading of liquid and solid materials at industrial and commercial facilities are typically conducted at shipping and receiving, outside storage, fueling areas, etc. Materials transferred can include products, raw materials, intermediate products, waste materials, fuels, scrap metals, etc. Leaks and spills of fuels, oils, powders, organics, heavy metals, salts, acids, alkalis, etc. during transfer are potential causes of stormwater contamination. Spills from hydraulic line breaks are a common problem at loading docks.

**Source control BMPs required for new development and redevelopment:**

*At All Loading/ Unloading Areas:*

- Consistent with Uniform Fire Code requirements (Appendix IV-D R.2) and to the extent practicable, conduct unloading or loading of solids and liquids in a manufacturing building, under a roof, or lean-to, or other appropriate cover.
- Berm, dike, and/or slope the loading/unloading area to prevent runoff of stormwater and to prevent the runoff or loss of any spilled material from the area.
- Place curbs along the edge of loading/unloading areas adjacent to surface water bodies, or slope the edge of the loading area such that the stormwater can flow to an internal storm drain system that leads to an approved treatment BMP.
- Pave and slope loading/unloading areas to prevent the pooling of water. The use of catch basins and drain lines within the interior of the paved area must be minimized as they will frequently be covered by material, or they should be placed in designated “alleyways” that are not covered by material, containers or equipment.
- For the transfer of pollutant liquids in areas that cannot contain a catastrophic spill, install an automatic shutoff system in case of unanticipated off-loading interruption (e.g. coupling break, hose rupture, overfill, etc.).
- Provide signage clearly designating loading and unloading areas.

## 5.1.1 BMPs for Loading and Unloading Areas for Liquid or Solid Material

### *At Loading and Unloading Docks:*

- Install/maintain overhangs, or door skirts that enclose the trailer end (see Figures 5.1 and 5.2) to prevent contact with rainwater.
- Design the loading/unloading area with berms, sloping, etc. to prevent the run-on of stormwater.

Figure 5.1 – Loading Dock with Door Skirt

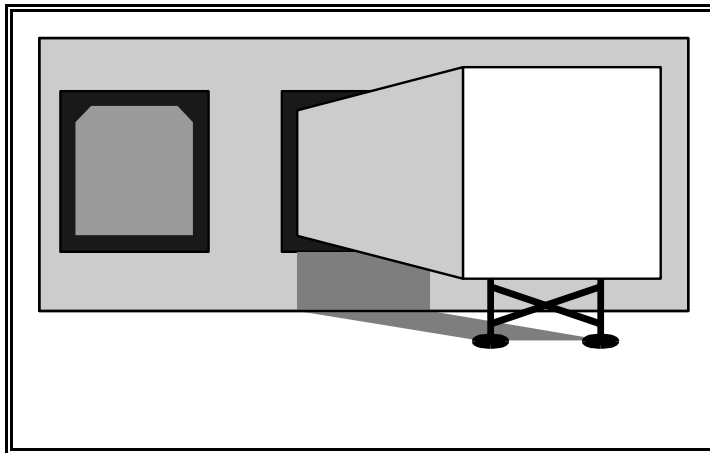
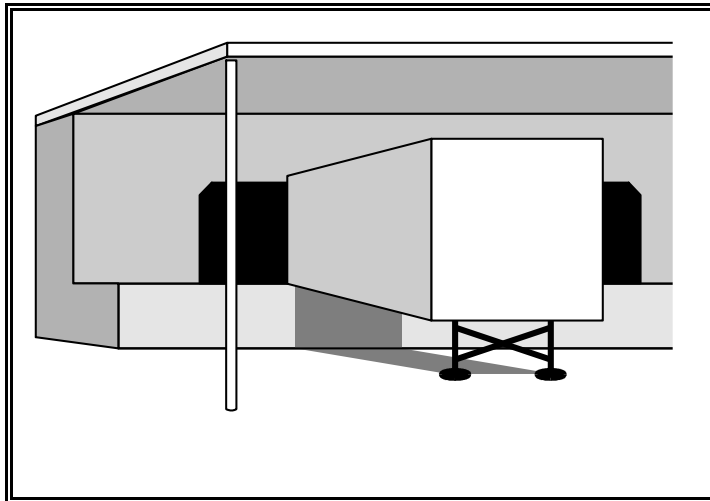


Figure 5.2 – Loading Dock with Overhang





## 5.1.1 BMPs for Loading and Unloading Areas for Liquid or Solid Material

### *At Tanker Truck Transfer Areas to Above/Below-Ground Storage Tanks:*

- Pave the area on which the transfer takes place. If any transferred liquid, such as gasoline, is reactive with asphalt pave the area with Portland cement concrete.
- Slope, berm, or dike the transfer area to a dead-end sump, spill containment sump, a spill control (SC) oil/water separator, or other spill control device. The volume of the spill containment sump should be a minimum of 50 gallons with an adequate grit sedimentation volume.

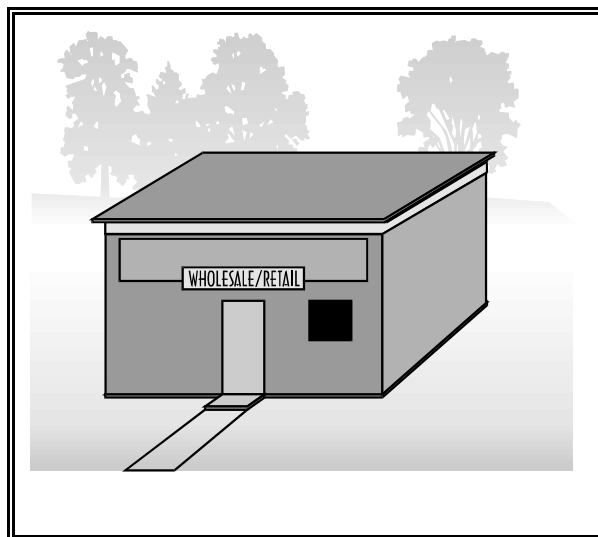
## 5.1.2 BMPs for Manufacturing Activities Conducted Outside

**Description of Pollutant Sources:** Manufacturing pollutant sources include outside process areas, stack emissions, and areas where manufacturing activity has taken place in the past and significant pollutant materials remain and are exposed to stormwater.

**Source Control BMPs required for new development and redevelopment:**

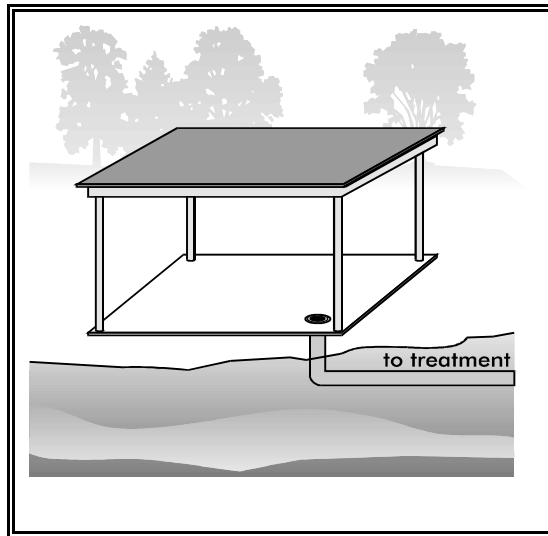
- Alter the activity by eliminating or minimizing the contamination of stormwater.
- Enclose the activity (see Figure 5.3): If possible, enclose the manufacturing activity in a building.
- Cover the activity and connect floor drains to a sanitary sewer or other treatment system approved by the Department of Ecology. Berm or slope the floor as needed to prevent drainage of pollutants to outside areas. (Figure 5.4)
- Isolate and segregate pollutants as feasible. Convey the segregated pollutants to a sanitary sewer, process treatment or a dead-end sump depending on available methods and applicable permit requirements.

Figure 5.3 – Enclose the Activity



## 5.1.2 BMPs for Manufacturing Activities Conducted Outside

Figure 5.4 – Cover the Activity



### 5.1.3 BMPs for Parking and Storage of Vehicles and Equipment

**Description of Pollutant Sources:** Public and commercial parking lots such as retail store, fleet vehicle (including rent-a-car lots and car dealerships), equipment sale and rental parking lots, and parking lot driveways, can be sources of toxic hydrocarbons and other organic compounds, oils and greases, metals, and suspended solids caused by the parked vehicles.

**Treatment BMPs required for new development and redevelopment:** An oil removal system such as an API or CP oil and water separator, catch basin filter, or equivalent BMP, approved by the local jurisdiction, is applicable for parking lots meeting the threshold vehicle traffic intensity level of a *high-use site*. Treatment systems must be selected and designed in accordance with Volume V of this Manual.

## 5.1.4 BMPs for Storing Containers of Liquids, Food Waste, or Dangerous Waste

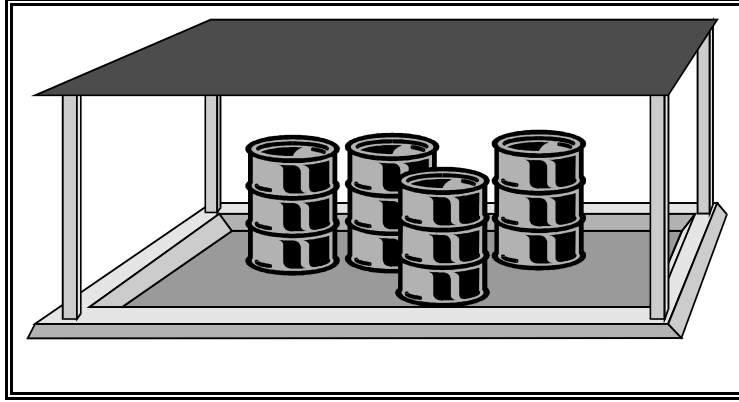
**Description of Pollutant Sources:** Steel and plastic drums with volumetric capacities of 55 gallons or less are typically used at industrial facilities for container storage of liquids and powders. The BMPs specified below apply to container(s) located outside a building used for temporary storage of accumulated food wastes, vegetable or animal grease, used oil, liquid feedstock or cleaning chemical, or Dangerous Wastes (liquid or solid) unless the business is permitted by Ecology to store the wastes (Appendix IV-D R.4). Leaks and spills of pollutant materials during handling and storage are the primary sources of pollutants. Oil and grease, acid/alkali pH, BOD, COD are potential pollutant constituents. Storage must comply with International Fire Code (IFC) requirements for Hazardous Materials Dispensing and Handling.

### **Source control BMPs required for new development and redevelopment:**

- Store containers in impervious containment under a roof or other appropriate cover, or in a building. For roll-containers (for example, dumpsters) that are picked up directly by the collection truck, a filet can be placed on both sides of the curb to facilitate moving the dumpster.
- Keep containers with Dangerous Waste, food waste, or other potential pollutant liquids inside a building unless this is impracticable due to site constraints or IFC requirements.
- Store containers in a designated area, which is covered, bermed or diked, paved and impervious in order to contain leaks and spills (see Figure 5.5). The secondary containment shall be sloped to drain into a dead-end sump for the collection of leaks and small spills.
- For liquid wastes, surround the containers with a dike as illustrated in Figure 3.3 – Secondary Containment System (in Chapter 3). The containment volume of the diked area shall be equal to 0.1 times the enclosed volume of all containers stored within the diked area, or 1.1 times the volume of the largest container stored within the diked area, or the volume required by IFC requirements, whichever is greater.
- Provide signage clearly designating storage area and listing the maximum container volume to be stored in the area (based on diked area containment volume).

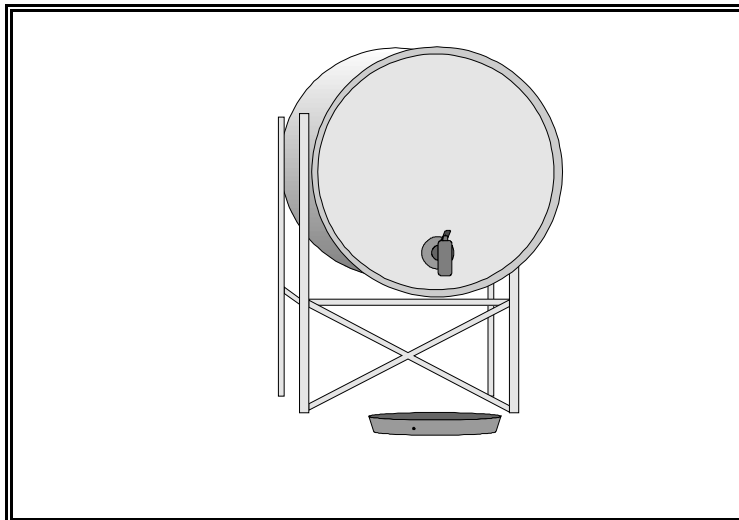
## 5.1.4 BMPs for Storing Containers of Liquids, Food Waste, or Dangerous Waste

Figure 5.5 – Covered and Bermed Containment Area



- Where material is temporarily stored in drums, a containment system can be used as illustrated, in lieu of the above system (see Figure 3.3, in Chapter 3).
- Place containers mounted for direct removal of a liquid chemical for use by employees inside a containment area as described above. Use a drip pan during liquid transfer (see Figure 5.6).

Figure 5.6 – Mounted Container - with drip pan



## 5.1.5 BMPs for Storing Liquids in Permanent Above-ground Tanks

**Description of Pollutant Sources:** Above-ground tanks containing liquids (excluding uncontaminated water) may be equipped with a valved drain, vent, pump, and bottom hose connection. They may be heated with steam heat exchangers equipped with steam traps. Leaks and spills can occur at connections and during liquid transfer. Oil and grease, organics, acids, alkalis, and heavy metals in tank water and condensate drainage can also cause stormwater contamination at storage tanks.

### **Source control BMPs required for new development and redevelopment:**

Install secondary containment or a doublewalled tank.

Slope any containment area to a drain with a sump.

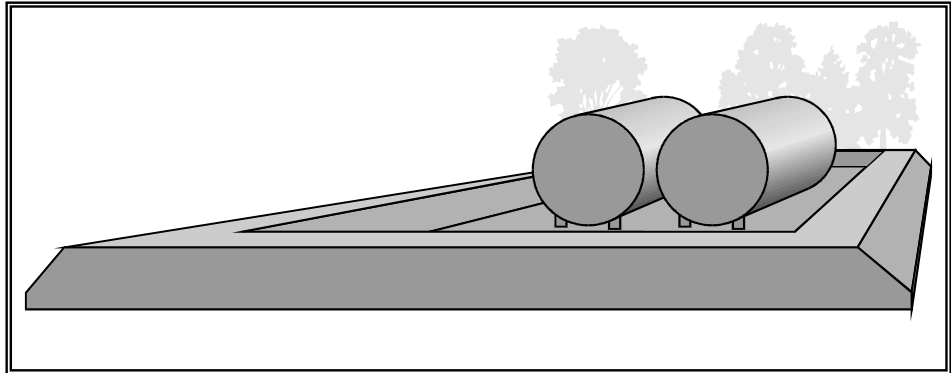
Stormwater collected in the containment area will need to be discharged to treatment such as an API or CP oil/water separator, or equivalent BMP.

Add safeguards against accidental releases including protective guards around tanks to protect against vehicle or forklift damage, and tagging valves to reduce human error. *Tank water and condensate discharges are process wastewater that may need an NPDES Permit.*

- Locate permanent tanks in impervious (Portland cement concrete or equivalent) secondary containment surrounded by dikes as illustrated in Figure 5.7, or UL Approved double-walled. The containment volume of the diked area shall be equal to 0.1 times the enclosed volume of all containers stored within the diked area, or 1.1 times the volume of the largest container stored within the diked area, or the volume required by IFC requirements, whichever is greater.
- Slope the secondary containment to drain to a dead-end sump (optional), or equivalent, for the collection of small spills.
- Include a tank overflow protection system to minimize the risk of spillage during loading.
- Provide signage clearly designating storage area and listing the maximum container volume to be stored in the area (based on diked area containment volume).

## 5.1.5 BMPs for Storing Liquids in Permanent Above-ground Tanks

Figure 5.7 – Above-ground Tank Storage





## 5.1.6 BMPs for Outside Storage or Transfer of Solid Raw Materials, Byproducts, or Finished Products

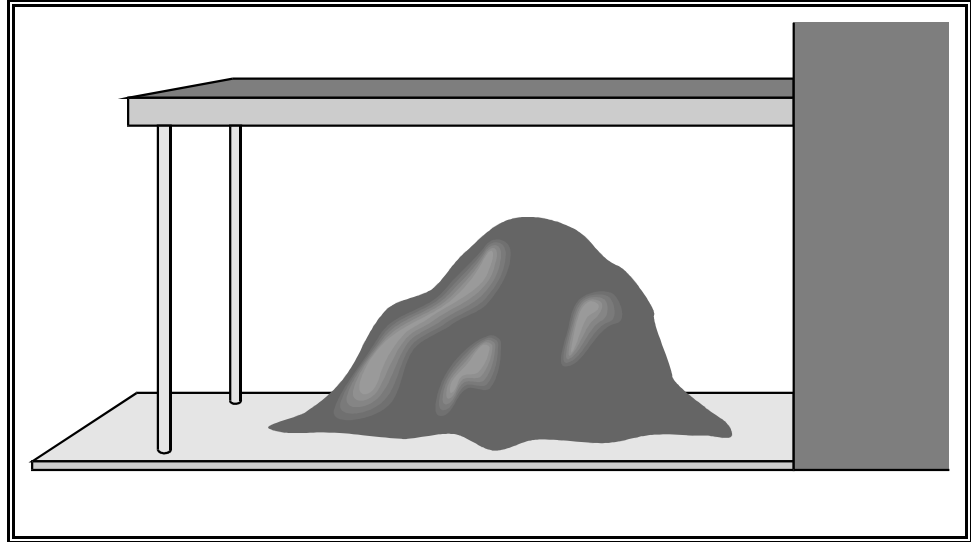
**Description of Pollutant Sources:** Solid raw materials, by-products, or products such as gravel, sand, salts, topsoil, compost, logs, sawdust, wood chips, lumber and other building materials, concrete, and metal products sometimes are typically stored outside in large piles, stacks, etc. at commercial or industrial establishments. Contact of outside bulk materials with stormwater can cause leachate, and erosion of the stored materials. Contaminants include TSS, BOD, organics, and dissolved salts (sodium, calcium, and magnesium chloride, etc).

**Source Control BMPs required for new development and redevelopment:** Choose one or more of the source control BMP options listed below for stockpiles greater than 5 cubic yards of erodible or water soluble materials such as soil, road deicing salts, compost, unwashed sand and gravel, sawdust, etc. Also included are outside storage areas for solid materials such as logs, bark, lumber, metal products, etc.

- Store in a building or paved and bermed covered area as shown in Figure 5.8, or;
- Pave the area and install a stormwater drainage system. Place curbs or berms along the perimeter of the area to prevent the run-on of uncontaminated stormwater and to collect and convey runoff to treatment. Slope the paved area in a manner that minimizes the contact between stormwater (e.g., pooling) and leachable materials in compost, logs, bark, wood chips, etc.
- For large stockpiles that cannot be covered, implement containment practices at the perimeter of the site and at any catch basins as needed to prevent erosion and discharge of the stockpiled material offsite or to a storm drain. Ensure that contaminated stormwater is not discharged directly to catch basins without conveying through a treatment BMP.
- Provide signage clearly designating storage area and listing the maximum container volume to be stored in the area (based on diked area containment volume).

## 5.1.6 BMPs for Outside Storage or Transfer of Solid Raw Materials, Byproducts, or Finished Products

Figure 5.8 – Covered Storage Area for Bulk Solids (include berm if needed)



## 5.1.7 BMPs for Washing and Steam Cleaning Vehicles, Equipment, and Building Structures

**Description of Pollutant Sources: Discharge of wash water or other wastewater to the storm sewer system is prohibited by federal law and Snohomish County code.** Vehicles, aircraft, vessels, and transportation, restaurant cooking, carpet cleaning, and industrial equipment, and large buildings may be commercially cleaned with low or high pressure water or steam. This includes frequent “charity” car washes at gas stations and commercial parking lots. The cleaning can include hand washing, scrubbing, sanding, etc. Washwater from cleaning activities can contain oil and grease, suspended solids, heavy metals, soluble organics, soaps, and detergents that can contaminate stormwater.

### **Source control BMPs required for new development and redevelopment:**

Conduct vehicle / equipment washing in one of the following locations:

- At a commercial washing facility in which the washing occurs in an enclosure and drains to the sanitary sewer, or
- In a building constructed specifically for washing of vehicles and equipment, which drains to a sanitary sewer.

Conduct outside washing operation in a designated wash area with the following features:

- In a paved area, constructed as a spill containment pad to prevent the run-on of stormwater from adjacent areas. Slope the spill containment area so that washwater is collected in a containment pad drain system with perimeter drains, trench drains or catchment drains. Size the containment pad to extend out a minimum of four feet on all sides of the vehicles and/or equipment being washed.
- Convey the washwater to a sump (like a grit separator) and then to a sanitary sewer (if allowed by the local Sewer Authority), or other appropriate wastewater treatment or recycle system. An NPDES permit may be required for any washwater discharge to a storm drain or receiving water after treatment. Contact the Ecology regional office for NPDES Permit requirements.
- The containment sump must have a positive control outlet valve for spill control with live containment volume, and oil/water separation. Size the minimum live storage volume to contain the maximum expected daily washwater flow plus the sludge storage volume below the outlet pipe.
- The inlet valve in the discharge pipe should be closed when washing is not occurring, thereby preventing the entry of uncontaminated stormwater into the pretreatment/ treatment system. The stormwater

## 5.1.7 BMPs for Washing and Steam Cleaning Vehicles, Equipment, and Building Structures

can then drain into the conveyance/discharge system outside of the wash pad (essentially bypasses the washwater treatment/conveyance system). Post signs to inform people of the operation and purpose of the valve. Clean the concrete pad thoroughly until there is no foam or visible sheen in the washwater prior to closing the inlet valve and allowing uncontaminated stormwater to overflow and drain off the pad. (See Figure 5.9)

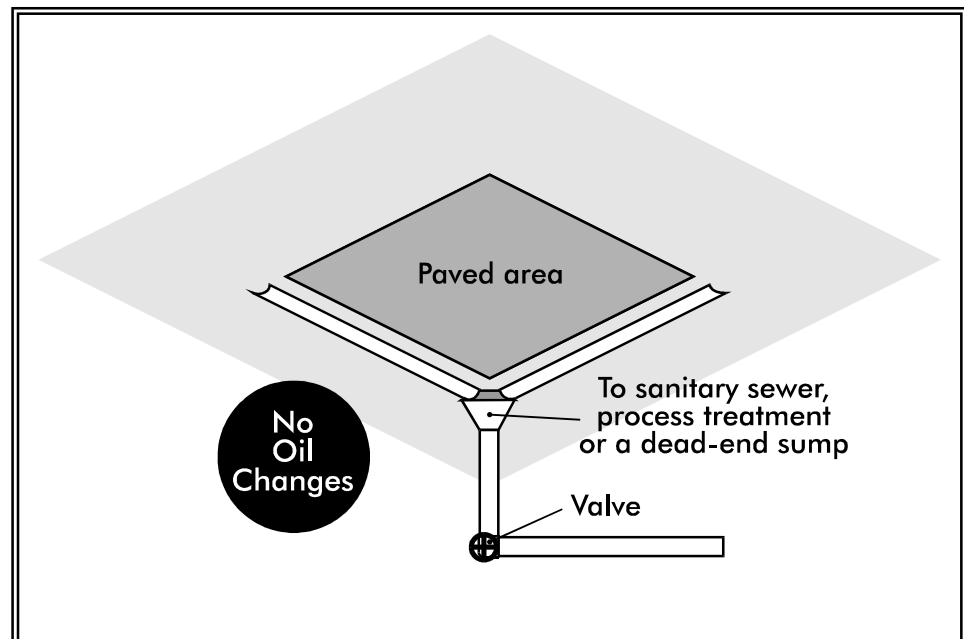
- The wash area should be well marked at gas stations, multi-family residences and any other business where non-employees wash vehicles. At gas stations, the wash area must be located away from pump pads.
- For uncovered wash pads, the positive control outlet valve may be manually operated, but a pneumatic or electric valve system is preferable. The valve may be on a timer circuit where it is opened upon completion of a wash cycle. The timer would then close the valve after the sump or separator is drained (Figure 5.9). Post signs with instructions for proper operation of the stormwater discharge valves.
- Collect the washwater from building structures and convey it to a sanitary sewer system or other wastewater treatment system approved by Ecology. If the washwater does not contain oils, soaps, or detergents then it could drain to soils that have sufficient natural attenuation capacity for dust and sediment.
- A washing practices operations manual shall be developed for the site and implemented as part of the source control code requirements for the site. At a minimum, the manual shall contain the following requirements:
  1. The positive control outlet valve for spill control will be shut during the washing cycle to collect the washwater in the sump. The valve should remain shut for at least two hours following the washing operation to allow the oil and solids to separate before discharge to a sanitary sewer. (See Ecology Publication WQ-95-056)
  2. The inlet valve in the discharge pipe should be closed when washing is not occurring, thereby preventing the entry of uncontaminated stormwater into the pretreatment/ treatment system. The stormwater can then drain into the conveyance/discharge system outside of the wash pad (essentially bypasses the washwater treatment/conveyance system). Post signs to inform people of the operation and purpose of the valve. Clean

## 5.1.7 BMPs for Washing and Steam Cleaning Vehicles, Equipment, and Building Structures

the concrete pad thoroughly until there is no foam or visible sheen in the washwater prior to closing the inlet valve and allowing uncontaminated stormwater to overflow and drain off the pad. (See Figure 5.9)

3. Use phosphate-free biodegradable detergents when practicable. Because soluble/emulsifiable detergents can be used in the wash medium, the selection of soaps and detergents and treatment BMPs should be considered carefully. Oil/water separators are ineffective in removing emulsified or water soluble detergents.

Figure 5.9 – Uncovered Wash Area



### Exceptions

- At gas stations (for charity car washes) or commercial parking lots, where it is not possible to discharge the washwater to a sanitary sewer, a temporary plug or a temporary sump pump can be used at the storm drain to collect the washwater for off-site disposal such as to a nearby sanitary sewer.

### **5.1.7 BMPs for Washing and Steam Cleaning Vehicles, Equipment, and Building Structures**

- New and used car dealerships may wash vehicles in the parking stalls as long as a temporary plug system is used to collect the washwater for disposal as stated above, or an approved treatment system for the washwater is in place.

At industrial sites contact the local Ecology Regional Office for NPDES Permit requirements even if soaps, detergents, and/or other chemical cleaners are not used in washing trucks.

## 5.2 BMPs for Specific Commercial or Industrial Facilities

### 5.2.1 BMPs for the Building, Repair, and Maintenance of Boats and Ships

**NOTE:** All boatyards in Washington State with haul out facilities are required to be covered under the NPDES General Permit for Boatyard Activities. All shipyards in Washington State with haul out facilities such as drydocks, graving docks, marine railways or synchrolifts are required to be covered under an individual NPDES Permit. Any facility conducting boatyard or shipyard activities strictly from dockside, with no vessel haul out, must be covered by the NPDES General Stormwater Permit for Industrial Activities. SCC Chapter 7.53 states that full implementation of all BMPs required by an NPDES industrial stormwater permit shall constitute compliance with that code chapter.

**Description of Pollutant Sources:** Sources of pollutants at boat and shipbuilding, repair, and maintenance at boatyards, shipyards, ports, and marinas include pressure washing, surface preparation, paint removal, sanding, painting, engine maintenance and repairs, and material handling and storage, if conducted outdoors. Potential pollutants include spent abrasive grits, solvents, oils, ethylene glycol, washwater, paint over-spray, cleaners/ detergents, anti-corrosive compounds, paint chips, scrap metal, welding rods, resins, glass fibers, dust, and miscellaneous trash. Pollutant constituents include TSS, oil and grease, organics, copper, lead, tin, and zinc.

**Source control BMPs required for new development and redevelopment:**

- All structural BMPs required by the NPDES General Permit for Boatyard Activities must be constructed.
- Construct fixed platforms with appropriate plastic or tarpaulin barriers as work surfaces and for containment when work is performed on a vessel in the water to prevent blast material or paint overspray from contacting stormwater or the receiving water.
- Construct enclosed areas for blasting and sanding activities.
- Construct a collection system for deck drainage.

## 5.2.2 BMPs for Commercial Composting

**Description of Pollutant Sources:** Commercial compost facilities, operating outside without cover, require large areas to decompose wastes and other feedstocks. These facilities should be designed to separate stormwater from leachate (i.e., industrial wastewater) to the greatest extent possible. When stormwater is allowed to contact any active composting areas, including waste receiving and processing areas, it becomes leachate. Pollutants in leachate include nutrients, biochemical oxygen demand (BOD), organics, coliform bacteria, acidic pH, color, and suspended solids. Stormwater at a compost facility consists of runoff from areas at the facility that are not associated with active processing and curing, such as product storage areas, vehicle maintenance areas, and access roads.

**NOTE: Leachate is a wastewater and is considered a prohibited discharge under SCC Chapter 7.53.** Discharge of leachate from a compost facility will require a State Waste Discharge Permit or NPDES permit from Ecology, depending on the disposal method chosen for managing leachate at the facility (See Chapter 2 in “Compost Facility Resource Handbook, Guidance for Washington State”, November 1998, Publication # 97-502.) An additional alternative, zero discharge, is possible by containing all leachate from the facility (in tanks or ponds) or preventing production of leachate (by composting under a roof or in an enclosed building). SCC Chapter 7.53 states that full implementation of all BMPs required by an NPDES industrial stormwater permit or State Waste Discharge Permit shall constitute compliance with that code chapter.

### **Source control BMPs required for new development and redevelopment:**

- Construct a cover or structure to prevent rainwater from falling on outdoor composting activities, or construct an impervious compost pad that is bermed or curbed to prevent stormwater run-on and leachate runoff.
- Slope compost pads and construct leachate drainage systems as needed to direct leachate to the required leachate collection device.



### 5.2.3 BMPs for Fueling Stations

**Description of Pollutant Sources:** A fueling station is a facility dedicated to the transfer of fuels from a stationary pumping station to mobile vehicles or equipment. It includes above or under-ground fuel storage facilities. In addition to general service gas stations, fueling may also occur at 24-hour convenience stores, construction sites, warehouses, car washes, manufacturing establishments, port facilities, and businesses with fleet vehicles. Typically, stormwater contamination at fueling stations is caused by leaks/spills of fuels, lube oils, radiator coolants, and vehicle washwater.

**Source control BMPs required for new development and redevelopment:**

- Design must comply with the current version of the International Fire Code (IFC).
- Design the fueling island to control spills (dead-end sump or spill control separator in compliance with the IFC), and to treat collected stormwater and/or wastewater to required levels. Include BMPs for spill control of oil and hazardous substances. Slope the concrete containment pad around the fueling island toward drains; either trench drains, catch basins and/or a dead-end sump. The slope of the drains shall not be less than 1 percent per IFC. Drains to treatment shall have a shutoff valve, which must be closed in the event of a spill. The spill control sump must be sized in compliance with the IFC, or the fueling island must be designed in compliance with Article 27 of the IFC.
- The fueling pad must be paved with Portland cement concrete.
- The fueling island must have a roof or canopy to prevent the direct entry of precipitation onto the spill containment pad (see Figure 5.10). The roof or canopy should, at a minimum, cover the spill containment pad (within the grade break or fuel dispensing area) and preferably extend several additional feet to reduce the introduction of windblown rain. Convey all roof drains to storm drains outside the fueling containment area.
- Stormwater collected on the fuel island containment pad must be conveyed to a sanitary sewer system, other wastewater treatment system approved by Ecology, or to a stormwater treatment system selected, designed, and constructed in accordance with the requirements of Volume V. Discharges from treatment systems to storm drains or surface water or to the ground must not display ongoing or recurring visible sheen and must not contain greater than a significant amount of oil and grease.
- Alternatively, stormwater collected on the fuel island containment pad

### 5.2.3 BMPs for Fueling Stations

may be collected and held for proper off site disposal.

- Conveyance of any fuel-contaminated stormwater to a sanitary sewer must be approved by the local sewer authority and must comply with pretreatment regulations (WAC 173-216-060).

These regulations prohibit discharges that could "cause fire or explosion. An explosive or flammable mixture is defined under state and federal pretreatment regulations, based on a flash point determination of the mixture. If contaminated stormwater is determined not to be explosive, then it could be conveyed to a sanitary sewer system.

- Transfer the fuel from the delivery tank trucks to the fuel storage tank in impervious contained areas and ensure that appropriate overflow protection is used. Alternatively, cover nearby storm drains during the filling process and use drip pans under all hose connections.

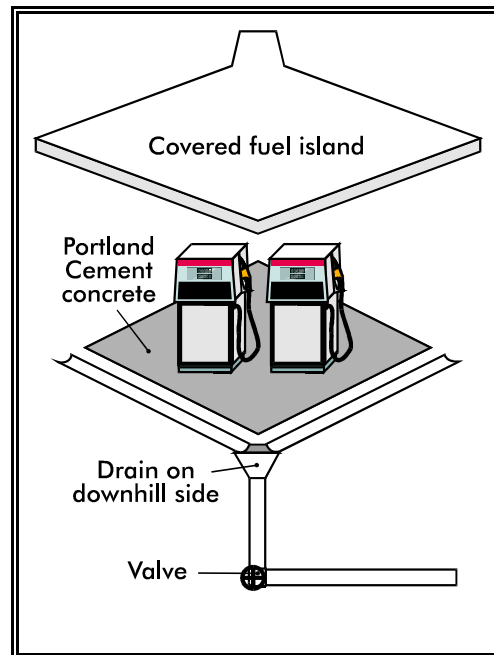


Figure 5.10 -- Additional BMP for Vehicles 10 feet in height or greater

- If a roof or canopy is impractical the concrete fueling pad must be equipped with emergency spill control, which includes a shutoff valve for the drainage from the fueling area. The valve must be closed in the event of a spill. An electronically actuated valve is preferred to minimize the time lapse between spill and containment. Spills must be cleaned up and disposed off-site in accordance with BMPs for

### 5.2.3 BMPs for Fueling Stations

Spills of Oil and Hazardous Substances.

- The valve may be opened to convey contaminated stormwater to a sanitary sewer or to a stormwater treatment system selected, designed, and constructed in accordance with the requirements of Volume V. Discharges from treatment systems to storm drains or surface water or to the ground must not display ongoing or recurring visible sheen, and must not exceed state or federal pretreatment regulations.

## 5.2.4 BMPs for Vehicle Recycling Facilities

**Description of Pollutant Sources:** Includes businesses that reclaim various materials for resale or for scrap, such as vehicles and vehicle/equipment parts, construction materials, metals, beverage containers, and papers. Potential sources of pollutants include paper, plastic, metal scrap debris, engines, transmissions, radiators, batteries, and other materials that contain fluids or are contaminated with fluids. Other pollutant sources include leachate from metal components, contaminated soil, and the erosion of soil. Activities that can generate pollutants include the transfer, dismantling, and crushing of vehicles and scrap metal; the transfer and removal of fluids; maintenance and cleaning of vehicles, parts, and equipment; and storage of fluids, parts for resale, solid wastes, scrap parts, and materials, equipment and vehicles that contain fluids; generally in uncovered areas. Potential pollutants typically found at vehicle recycle and scrap yards include oil and grease, ethylene and propylene glycol, total suspended solids, BOD, heavy metals, and acidic pH.

**Source control BMPs required for new development and redevelopment:**

- All facilities subject to Ecology's Industrial Stormwater General Permit shall include all structural source control BMPs applicable to the proposed facility that are set forth in Ecology Publication #94-146 *Vehicle Recyclers - A Guide for Implementing the Industrial Stormwater General National Pollutant Discharge Elimination System (NPDES) Permit Requirements Best Management Practices to Prevent Stormwater Pollution at Vehicle Recycler Facilities* (Washington State Department of Ecology, January 2006).

## 5.2.5 BMPs for Motor Vehicle and Equipment Repair Facilities

**Description of Pollutant Sources:** Pollutant sources include parts/vehicle cleaning, spills/leaks of fuel and other liquids, replacement of liquids, outdoor storage of batteries/liquids/parts, and vehicle parking.

**Source control BMPs required for new development and redevelopment:**

- Conduct all maintenance and repair of vehicles and equipment in a building, or other covered impervious containment area that is sloped to prevent run-on of uncontaminated stormwater and runoff of contaminated stormwater.
- The maintenance of refrigeration engines in refrigerated trailers may be conducted in the parking area with due caution to avoid the release of engine or refrigeration fluids to storm drains or surface water.
- Park large mobile equipment, such as log stackers, in a designated contained area.

## 5.2.6 BMPs for Wood Treatment Facilities

**NOTE:** A wood treatment facility is required to operate under an individual NPDES stormwater permit. SCC Chapter 7.53 states that full implementation of all BMPs required by an NPDES industrial stormwater permit shall constitute compliance with that code chapter.

**Description of Pollutant Sources:** Wood treatment includes both antistaining and wood preserving using pressure processes or by dipping or spraying. Wood preservatives include creosote, creosote/coal tar, pentachlorophenol, copper naphthenate, arsenic trioxide, malathion, or inorganic arsenicals such as chromated copper arsenate, acid copper chromate, chromate zinc chloride, and fluor-chrome-arsenate-phenol. Anti-staining chemical additives include iodo-prophenyl-butyl carbamate, dimethyl sulfoxide, didecyl dimethyl ammonium chloride, sodium azide, 8-quinolinol; copper (II) chelate, sodium ortho-phenylphenate, 2-(thiocyanomethylthio)-benzothiazole (TCMTB) and methylene bis-(thiocyanate), and zinc naphthenate. Pollutant sources include drips of condensate or preservative after pressurized treatment; product washwater (in the treatment or storage areas), spills and leaks from process equipment and preservative tanks, fugitive emissions from vapors in the process, blowouts and emergency pressure releases, and kick-back from lumber (phenomenon where preservative leaks as it returns to normal pressure). Potential pollutants typically include the wood treating chemicals, BOD, suspended solids, oil and grease, benzene, toluene, ethylbenzene, phenol, chlorophenols, nitrophenols, heavy metals, and PAH depending on the chemical additive used.

### **Source control BMPs required for new development and redevelopment.**

- All structural BMPs required by the individual NPDES Permit must be constructed.
- Cover and/or enclose, and contain with impervious surfaces, all wood treatment areas. Slope and drain areas around dip tanks, spray booths, retorts, and any other process equipment in a manner that allows return of treatment chemicals to the wood treatment process.
- Cover storage areas for freshly treated wood to prevent contact of treated wood products with stormwater. Segregate clean stormwater from process water. Ensure that all process water is conveyed to an approved treatment system.

(This page intentionally left blank)

## Volume IV References

---

- CH2M Hill, Comments on Washington State Department of Ecology Draft Publication 99-11 through 99-15, Soil Improvement Project Engineering Report for Snohomish County, February 2000.
- Daar, Olkowski & Olkowski, IPM Training Manual for Gardeners, 1992.
- Daar, Sheila, Least Toxic Pest Management for Lawns, Integral Resource Center, Berkeley, CA 94707; 1992.
- Field, Richard and Pitt, Robert, E., et. al., Urban Wet-weather Flows, Water Environment Research Literature Review, 1997.
- Gaus, J., High Use/Oil Control Decision Paper-Second Draft, King County Surface Water Management, 1994.
- King County Surface Water Management, Best Management Practices for Businesses, July 1995.
- Olkowski, William, Helga Olkowski and Sheila Daar, What is IPM? In Common Sense Pest Control, Volume 3, summer 1988.
- Perry, George et al, A Comprehensive IPM Program, King County Local Hazardous Waste Management Program, November 7, 2000.
- Pitt, Robert, Urban Stormwater Toxic Pollutants: Assessment, Sources, and Treatability, Water Environment Research, May/June 1995.
- Sartor, J.D. and B.G. Boyd, Water Pollution Aspects of Street Surface Contaminants, EPA-R2-72-081, November 1972, P.7.
- Schueler, Thomas, R., Comparative Pollutant Removal Capability of Urban BMPs: A Reanalysis, Watershed Protection Techniques, June 1997.
- Silverman, Gary S. and Michael K. Stenstrom, Source Control of Oil and Grease in an Urban Area, in Design of Urban Runoff Quality Controls, ASCE, 1988.
- Standard Industrial Classification Manual, Office of Management and Budget, 1987.
- Strecker, Eric, W., et. al., Analysis of Oregon Urban Runoff Water Quality Monitoring Data Collected from 1990 to 1996, The Oregon Association of Clean Water Agencies, February 1997 Draft.
- Sutherland, Roger, High Efficiency Sweeping as an Alternative to the Use of Wet Vaults for Stormwater Treatment, 1998.
- U.S. Environmental Protection Agency, Multi-sector Stormwater Permit and Fact Sheet, September 1995.
- U.S. Environmental Protection Agency, Results of the Nationwide Urban Runoff Program, December 1983.
- Washington State Department of Ecology, Implementation Guidance for the Ground Water Quality Standards, publication 96-02, 1996.



Washington Department of Ecology, NPDES and State Waste Discharge Baseline General Permit for Stormwater Discharge Associated with Industrial Activities, November 18, 1995.

Washington State Department of Ecology, Techniques for Dust Prevention and Suppression, publication #96-433, 1996.

# Appendix IV-A

## Urban Land Uses and Pollutant Generating Sources

---

Use this appendix to identify pollutant-generating sources at various land uses (manufacturing, transportation, communication, wholesale, retail, service - based on the 1987 Standard Industrial Classification codes (OMB, 1987), and public agencies). Applicable operational and structural source control, and treatment BMPs for each pollutant source can then be selected by referring to Chapter 2 of this Volume. Other land uses not included in this appendix should also consider implementing applicable BMPs for their pollutant sources.

### A.1 Manufacturing Businesses

#### *Cement*

*SIC: 3241*

**Description:** These businesses produce Portland cement, the binder used in concrete for paving, buildings, pipe and other structural products. The three basic steps in cement manufacturing are: 1) proportioning, grinding, and blending raw materials; 2) heating raw materials to produce a hard, stony substance known as clinker; and 3) combining the clinker with other materials and grinding the mixture into a fine powdery form. The raw materials include limestone, silica, alumina, iron, chalk, oyster shell marl, or shale. Waste materials from other industries are often used such as slag, fly ash and spent blasting sand. Raw materials are crushed, mixed and heated in a kiln to produce the correct chemical composition. Kilns typically are coal, gas, or oil fired. The output of the kiln is a clinker that is ground to produce the final product.

The basic process may be wet or dry. In the wet process water is mixed with the raw ingredients in the initial crushing operation and in some cases is used to wash the material prior to use. Water may also be used in the air pollution control scrubber. The most significant waste material from cement production is the kiln dust. Concrete products may also be produced at ready-mix concrete facilities. Refer to "Concrete Products" for a description of the BMPs appropriate to these activities.

**Potential Pollutant Generating Sources:** Stormwater may be contaminated during the crushing, grinding, storage, and handling of kiln dust, limestone, shale, clay, coal, clinker, gypsum, anhydrite, slag, sand, and product and at the vehicle and equipment maintenance, fueling, and cleaning areas. Total suspended solids, aluminum, iron and other heavy metals, pH, COD, potassium, sulfate, and oil and grease are some of the potential pollutants. The following mean concentrations in stormwater discharges have been reported Environmental Protection Agency (EPA's) multi-sector permit fact sheet (EPA, 1995): TSS=1067, COD=107.5, aluminum=72.6, iron=7.5, all in mg/L, and pH=2-12. These values may

be useful in characterizing stormwater contaminants at cement manufacturing facilities.

**Chemicals  
Manufacturing  
SIC: 2800, 3861**

**Description:** This group is engaged in the manufacture of chemicals, or products based on chemicals such as acids, alkalis, inks, chlorine, industrial gases, pigments, chemicals used in the production of synthetic resins, fibers and plastics, synthetic rubber, soaps and cleaners, pharmaceuticals, cosmetics, paints, varnishes, resins, photographic materials, chemicals, organic chemicals, agricultural chemicals, adhesives, sealants, and ink.

**Potential Pollutant Generating Sources:** Activities that can contaminate stormwater include bagging, blending, packaging, crushing, milling, shredding, granulation, grinding, storage, distribution, loading/unloading, and processing of materials; equipment storage; application of fertilizers; foundries; lime application; use of machinery; material handling and warehousing; cooling towers; fueling; boilers; hazardous waste treatment, storage and disposal; wastewater treatment; plant yard areas of past industrial activity; access roads and tracks; drum washing, and maintenance and repair.

Chemical businesses in the Seattle area surveyed for Dangerous Wastes have been found to produce waste caustic solutions, soaps, heavy metal solutions, inorganic and organic chemicals, solvents, acids, alkalis, paints, varnishes, pharmaceuticals, and inks. The potential pollutants include BOD, TSS, COD, oil and grease, pH, total phosphorus, nitrates, nitrites, total Kjeldahl nitrogen, ammonia, specific organics, and heavy metals. EPA stormwater multi-sector permit fact sheet data <sup>(7)</sup> includes the following mean values in mg/L except pH: BOD, 4.4-143.2; TSS, 35-493; COD, 42.36-245.3; Oil and Grease, 0.3-6.0; NO<sub>2</sub>+NO<sub>3</sub>, 0.3-35.9; TKN, 1.3-108.9; tot. P, 0.1-65.7; ammonia, 40.45-73.22; Al, 1.20-1.78; Cu, .12-19; Mn, .56-.71; Zn, 1.74-2.11; Fe, 2.24-3.52 and pH, 3.5-10.4. This data could be helpful in characterizing stormwater pollutants at the facility.

**Concrete Products  
SIC: 3270**

**Description:** Businesses that manufacture ready-mix concrete, gypsum products, concrete blocks and bricks, concrete sewer or drainage pipe, septic tanks, and prestressed concrete building components. Concrete is prepared on-site and poured into molds or forms to produce the desired product. The basic ingredients of concrete are sand, gravel, Portland cement, crushed stone, clay, and reinforcing steel for some products. Admixtures including fly ash, calcium chloride, triethanolamine, lignosulfonic acid, sulfonated hydrocarbon, fatty acid glyceride, or vinyl acetate, which may be added to obtain desired characteristics such as slower or more rapid curing times.

The first stage in the manufacturing process is proportioning cement, aggregate, admixtures and water, and then transporting the product to a

rotary drum, or pan mixer. The mixture is then fed into an automatic block-molding machine that rams, presses, or vibrates the mixture into its final form. The final product is then stacked on iron framework cars where it cures in four hours. After being mixed in a central mixer, concrete is molded in the same manner as concrete block. The concrete cures in the forms for a number of hours. Forms are washed for reuse, and the concrete products are stored until they can be shipped.

**Potential Pollutant Generating Sources:** Pollutant generating activities/sources include stockpiles; washing of waste concrete from trucks, forms, equipment, and the general work area; and water from the curing of concrete products. Besides the basic ingredients for making concrete products, chemicals used in the curing of concrete and the removal of forms may end up in stormwater. These chemicals can include latex sealants, bitumastic coatings and release agents. Trucks and equipment maintained on-site may generate waste oil and solvents, and other waste materials. Potential pollutants include TSS, COD, BOD, pH, lead, iron, zinc, and oil and grease.

***Electrical Products***  
***SIC: 3600, 3800***

**Description:** A variety of products are produced including electrical transformers and switchgear, motors, generators, relays, and industrial controls; communications equipment for radio and TV stations and systems; electronic components and accessories including semiconductors; printed board circuits; electromedical and electrotherapeutic apparatus; and electrical instrumentation. Manufacturing processes include electroplating, machining, fabricating, etching, sawing, grinding, welding, and parts cleaning. Materials used include metals, ceramics, quartz, silicon, inorganic oxides, acids, alkaline solutions, arsenides, phosphides, cyanides, oils, fuels, solvents, and other chemicals.

**Potential Pollutant Generating Sources:** Pollutant generating activities/sources include bulk storage of raw materials, by-products or finished products; loading and unloading of liquid materials from truck or rail; temporary storage of waste oil and solvents from cleaning manufacturing equipment; used equipment temporarily stored on site that could drip oil and residual process materials; maintenance and repair of vehicles and equipment; and temporary storage of Dangerous Wastes.

Waste liquids which are sometimes stored outside include spent acetone and solvents, ferric chloride solutions, soldering fluxes mixed with thinner or alcohol, spent acids, and oily waste. Several of these liquid wastes contain chlorinated hydrocarbons, ammonium salts, and metals such as chromium, copper, lead, silver, zinc, nickel, and tin. Waste solids include soiled rags and sanding materials.

Wastewater consists of solutions and rinses from electroplating operations, and the wastewaters from cleaning operations. Water may also be used to cool saws and grinding machines. Sludges are produced by the

wastewater treatment process. Potential pollutants include TSS, oil and grease, organics, pH, BOD, COD, Total Kjeldahl Nitrogen, Nitrate and Nitrite Nitrogen, copper, zinc, lead, and silver.

### ***Food Products***

***SIC: 2000***

**Description:** Businesses in this category include meat packing plants, poultry slaughtering and processing, sausage and prepared meats, dairy products, preserved fruits and vegetables, flour, bakery products, sugar and confectioneries, vegetable and animal oils, beverages, canned, frozen or fresh fish, pasta products, snack foods, and manufactured ice. Food processing typically occurs inside buildings. Exceptions are meat packing plants where live animals may be kept outside, and fruit and vegetable plants where the raw material may be temporarily stored outside. Meat production facilities include stockyards, slaughtering, cutting and deboning, meat processing, rendering, and materials recovery. Dairy production facilities include receiving stations, clarification, separation, and pasteurization followed by culturing, churning, pressing, curing, blending, condensing, sweetening, drying, milling, and packaging. Canned frozen and preserved fruits and vegetables are typically produced by washing, cutting, blanching, and cooking followed by drying, dehydrating, and freezing.

Grain mill products are processed during washing, milling, debranning, heat treatment, screening, shaping, and vitamin and mineral supplementing. Bakery products processing includes mixing, shaping, of dough, cooling, and decorating. Operations at an edible oil manufacturer include refining, bleaching, hydrogenation, fractionation, emulsification, deodorization, filtration, and blending. Beverage production includes brewing, distilling, fermentation, blending, and packaging. Wine processors often crush grapes outside the process building and/or store equipment outside when not in use. Some wine producers use juice from grapes crushed elsewhere. Some vegetable and fruit processing plants use caustic solutions.

**Potential Pollutant Generating Sources:** The following are potential stormwater pollutant causing activities/sources: loading/unloading of materials, equipment/vehicle maintenance, liquid storage in tanks and drums, air emissions (ovens, vents), solid wastes handling and storage, wastewater treatment, pest control, animal containment and transit, and vegetable storage. Materials exposed to stormwater include acids, ammonia, activated carbon, bleach, blood, bone meal, brewing residuals, caustic soda, chlorine, coke oven tar, detergents, eggs, feathers, feed, ferric chloride, fruits, vegetables, coffee beans, gel bone, grain, hides, lard, manure, milk, salts, skim powder, starch, sugar, tallow, ethyl alcohol, oils, fats, whey, yeast, and wastes. The following are the pollutants typically expected from this industry segment: BOD, TSS, Oil and Grease, pH, Kjeldahl Nitrogen, copper, manganese, fecal coliform, and pesticides.

***Glass Products***

***SIC: 3210, 3220,  
3230***

**Description:** The glass form produced may be flat or window glass, safety glass, or container glass, tubing, glass wool, or fibers. The raw materials are sand mixed with a variety of oxides such as aluminum, antimony, arsenic, lead, copper, cobalt oxide, and barium. The raw materials are mixed and heated in a furnace. Processes that vary with the intended product shape the resulting molten material. The cooled glass may be edged, ground, polished, annealed and/or heat-treated to produce the final product. Air emissions from the manufacturing buildings are scrubbed to remove particulates.

**Potential Pollutant Generating Sources:** Raw materials are generally stored in silos except for crushed recycled glass and materials washed off recycled glass. Contamination of stormwater and/or ground water can be caused by raw materials lost during unloading operations, errant flue dust, equipment/vehicle maintenance and engine fluids from mobile lifting equipment that is stored outside. The maintenance of the manufacturing equipment will produce waste lubricants and cleaning solvents. The flue dust is likely to contain heavy metals such as arsenic, cadmium, chromium, mercury, and lead. Potential pollutants include suspended solids, oil and grease, high/low pH, and heavy metals such as arsenic, cadmium, chromium, mercury, and lead.

***Industrial  
Machinery and  
Equipment, Trucks  
and Trailers,  
Aircraft,  
Aerospace, and  
Railroad***

***SIC: 3500,  
3713/14, 3720,  
3740, 3760, 3800***

**Description:** This category includes the manufacture of a variety of equipment including engines and turbines, farm and garden equipment, construction and mining machinery, metal working machinery, pumps, computers and office equipment, automatic vending machines, refrigeration and heating equipment, and equipment for the manufacturing industries. This group also includes many small machine shops, and the manufacturing of trucks, trailers and parts, airplanes and parts, missiles, spacecraft, and railroad equipment and instruments.

Manufacturing processes include various forms of metal working and finishing, such as electroplating, anodizing, chemical conversion coating, etching, chemical milling, cleaning, machining, grinding, polishing, sand blasting, laminating, hot dip coating, descaling, degreasing, paint stripping, painting, and the production of plastic and fiberglass parts. Raw materials include ferrous and non-ferrous metals, such as aluminum, copper, iron, steel, and their alloys, paints, solvents, acids, alkalis, fuels, lubricating and cutting oils, and plastics.

**Potential Pollutant Generating Sources:** Potential pollutant sources include fuel islands, maintenance shops, loading/unloading of materials, and outside storage of gasoline, diesel, cleaning fluids, equipment, solvents, paints, wastes, detergents, acids, other chemicals, oils, metals, and scrap materials. Air emissions from stacks and ventilation systems are potential areas for exposure of materials to rain water.

## ***Metal Products***

***SIC: 2514, 2522, 2542, 3312, 3314-17, 3320, 3350, 3360, 3400, 3590***

**Description:** This group includes mills that produce basic metals and primary products, as well as foundries, electroplaters, and fabricators of final metal products. Basic metal production includes steel, copper, and aluminum. Mills that transform metal billets, either ferrous or nonferrous such as aluminum, to primary metal products are included. Primary metal forms include sheets, flat bar, building components such as columns, beams and concrete reinforcing bar, and large pipe.

Steel mills in the Pacific Northwest use recycled metal and electric furnaces. The molten steel is cast into billets or ingots that may be reformed on site or taken to rolling mills that produce primary products. As iron and steel billets may sit outside before reforming, surface treatment to remove scale may occur prior to reforming. Foundries pour or inject molten metal into a mold to produce a shape that cannot be readily formed by other processes. The metal is first melted in a furnace. The mold is made of sand or metal die blocks that are locked together to make a complete cavity. The molten metal is ladled in and the mold is cooled. The rough product is finished by quenching, cleaning and chemical treatment. Quenching involves immersion in a plain water bath or water with an additive.

Businesses that fabricate metal products from metal stock provide a wide range of products. The raw stock is manipulated in a variety of ways including machining of various types, grinding, heating, shearing, deformation, cutting and welding, soldering, sand blasting, brazing, and laminating. Fabricators may first clean the metal by sand blasting, descaling, or solvent degreasing. Final finishing may involve electroplating, painting, or direct plating by fusing or vacuum metalizing. Raw materials, in particular recycled metal, are stored outside prior to use, as are billets before reforming. The descaling process may use salt baths, sodium hydroxide, or acid (pickling).

Primary products often receive a surface coating treatment. Prior to the coating the product surface may be prepared by acid pickling to remove scale or alkaline cleaning to remove oils and greases. The two major classes of metallic coating operations are hot and cold coating. Zinc, tin and aluminum coatings are applied in molten metal baths. Tin and chromium are usually applied electrolytically from plating solutions.

**Potential Pollutant Generating Sources:** Potential pollutant generating sources include outside storage of chemicals, metal feedstock, byproducts (fluxes), finished products, fuels, lubricants, waste oil, sludge, waste solvents, Dangerous Wastes, piles of coal, coke, dusts, fly ash, baghouse waste, slag, dross, sludges, sand refractory rubble, and machining waste; unloading of chemical feedstock and loading of waste liquids such as spent pickle liquor by truck or rail; material handling equipment such as cranes, conveyors, trucks, and forklifts; particulate emissions from

scrubbers, baghouses or electrostatic precipitators; fugitive emissions; maintenance shops; erosion of soil from plant yards; and floor, sink, and process wastewater drains.

Based on EPA's multi-sector industrial stormwater permit/fact sheet the following are ranges of mean composite/grab pollutant concentrations from this industrial group (values are in mg/L except pH): BOD at 34.1/32.2; COD at 109.8/221.3; NO<sub>2</sub>+NO<sub>3</sub> N at 1.38/1.17; TKN at 3.05/3.56; Oil and grease at 8.88 (grab); pH at 2.6-10.3 (range-grab); total phosphorus at .52/1.25; TSS at 162/368; copper at 2.28/3.53; lead at .19/.79; zinc at 6.60/8.90; aluminum at 2.6/4.8; iron at 32.30/45.97; cadmium at 0.015/0.074; chromium at 2.2/5.053; nickel at 0.75/0.7; manganese at .59/.68; ammonia at .55/.85; and pyrene at .01/.06.

***Paper and Pulp***

***SIC: 2610, 2620,  
2630***

**Description:** Large industrial complexes in which pulp and/or paper, and/or paperboard are produced. Products also include newsprint, bleached paper, glassine, tissue paper, vegetable parchment, and industrial papers. Raw materials include; wood logs, chips, wastepaper, jute, hemp, rags, cotton linters, bagasse, and esparto. The chips for pulping may be produced on-site from logs, and/or imported.

The following manufacturing processes are typically used: raw material preparation, pulping, bleaching, and papermaking. All of these operations use a wide variety of chemicals including caustic soda, sodium and ammonium sulfites, chlorine, titanium oxide, starches, solvents, adhesives, biocides, hydraulic oils, lubricants, dyes, and many chemical additives.

**Potential Pollutant Generating Sources:** The large process equipment used for pulping is not enclosed. Thus, precipitation falling over these areas may become contaminated. Maintenance of the process equipment produces waste products similar to that produced from vehicle and mobile equipment maintenance. Logs may be stored, debarked and chipped on site. Large quantities of chips are stored outside. Although this can be a source of pollution, the volume of stormwater flow is relatively small because the chip pile retains the majority of the precipitation. Mobile equipment such as forklifts, log stackers, and chip dozers are sources of leaks/spills of hydraulic fluids. Vehicles and equipment are fueled and maintained on-site.



***Paper Products***  
***SIC: 2650, 2670***

**Description:** Included are businesses that take paper stock and produce basic paper products such as cardboard boxes and other containers, and stationery products such as envelopes and bond paper. Wood chips, pulp, and paper can be used as feedstock.

**Potential Pollutant Generating Sources:** The following are potential pollutant sources:

1. Outside loading/unloading of solid and liquid materials.
2. Outside storage and handling of dangerous wastes, and other liquid and solid materials.
3. Maintenance and fueling activities.
4. Outside processing activities comparable to Pulp and Paper processing in preceding section.

***Petroleum Products***  
***SIC: 2911, 2950***

**Description:** The petroleum refining industry manufactures gasoline, kerosene, distillate and residual oils, lubricants and related products from crude petroleum, and asphalt paving and roofing materials. Although petroleum is the primary raw material, petroleum refineries also use other materials such as natural gas, benzene, toluene, chemical catalysts, caustic soda, and sulfuric acid. Wastes may include filter clays, spent catalysts, sludges, and oily water.

Asphalt paving products consist of sand, gravel and petroleum-based asphalt that serves as the binder. Raw materials include stockpiles of sand and gravel and asphalt emulsions stored in aboveground tanks.

**Potential Pollutant Generating Sources:**

- Outside processing such as distillation, fractionation, catalytic cracking, solvent extraction, coking, desulfuring, reforming, and desalting.
- Petrochemical and fuel storage and handling.
- Outside liquid chemical piping and tankage.
- Mobile liquid handling equipment such as tank trucks, forklifts, etc.
- Maintenance and parking of trucks and other equipment.
- Waste Piles, and handling and storage of asphalt emulsions, cleaning chemicals, and solvents.
- Waste treatment and conveyance systems.

The following are potential pollutants at oil refineries: oil and grease, BOD5, COD, TOC, phenolic compounds, PAH, ammonia nitrogen, TKN, sulfides, TSS, low and high pH, and chromium (total and hexavalent).

## **Printing**

**SIC: 2700**

**Description:** This industrial category includes the production of newspapers, periodicals, commercial printing materials and businesses that do their own printing and those that perform services for the printing industry, for example bookbinding. Processes include typesetting, engraving, photoengraving, and electrotyping.

**Potential Pollutant Generating Sources:** Various materials used in modifying the paper stock include inorganic and organic acids, resins, solvents, polyester film, developers, alcohol, vinyl lacquer, dyes, acetates, and polymers. Waste products may include waste inks and ink sludge, resins, photographic chemicals, solvents, acid and alkaline solutions, chlorides, chromium, zinc, lead, spent formaldehyde, silver, plasticizers, and used lubricating oils. As the printing operations occur indoors, the only likely points of potential contact with stormwater are the outside temporary storage of waste materials, offloading of chemicals at external unloading bays, and vehicle/equipment repair and maintenance. Pollutants of concern include TSS, pH, heavy metals, oil and grease, and COD.

## **Rubber and Plastic Products**

**SIC: 3000**

**Description:** Although different in basic feedstock and processes used, businesses that produce rubber, fiberglass and plastic products belong to the same SIC group. Products in this category include rubber tires, hoses, belts, gaskets, seals; and plastic sheet, film, tubes, pipes, bottles, cups, ice chests, packaging materials, and plumbing fixtures. The rubber and plastics industries use a variety of processes ranging from polymerization to extrusion using natural or synthetic raw materials. These industries use natural or synthetic rubber, plastics components, pigments, adhesives, resins, acids, caustic soda, zinc, paints, fillers, and curing agents.

**Potential Pollutant Generating Sources:** Pollutant generating sources/activities include storage of liquids, other raw materials or by-products, scrap materials, oils, solvents, inks and paints; unloading of liquid materials from trucks or rail cars; washing of equipment; waste oil and solvents produced by cleaning manufacturing equipment; used equipment that could drip oil and residual process materials; and maintenance shops.

Based on data in EPA's multi-sector permit fact sheet the following are mean pollutant concentrations in mg/L, except for pH (unitless) and 1,1,1 trichloroethane, methylene chloride, toluene, zinc, oil/grease which are min.-max. grab sample values: BOD at 11.21-13.92, COD at 72.08-100.0, NO<sub>3</sub> + NO<sub>2</sub> Nitrogen at 86-1.26, TKN at 1.55-2.34, total phosphorus at .34-.41, TSS at 119.32-188.55, pH range of 2.56-10.1, trichloroethane at 0.00-0.38, methylene chloride at 0.00-13.0, toluene at 0.00-3.8, zinc at .011-7.60 and oil and grease at 0.0-91.0. These data may be helpful in characterizing potential stormwater pollutants.

***Ship and Boat  
Building and  
Repair Yards***

***SIC: 3730***

**Description:** Businesses that build or repair ships and boats. Typical activities include hull scraping, sandblasting, finishing, metal fabrication, electrical repairs, engine overhaul, and welding, fiberglass repairs, hydroblasting and steam cleaning.

**Potential Pollutant Generating Sources:** Outside boatyard activities that can be sources of stormwater pollution include pressure washing, surface preparation, paint removal, sanding, painting, engine/vessel maintenance and repairs, and material handling and storage.

Secondary sources of stormwater contaminants are cooling water, pump testing, gray water, sanitary waste, washing down the work area, and engine bilge water. Engine room bilge water and oily wastes are typically collected and disposed of through a licensed contracted disposal company. Two prime sources of copper are leaching of copper from anti-fouling paint and wastes from hull maintenance. Wastes generated by boatyard activities include spent abrasive grits, spent solvent, spent oils, fuel, ethylene glycol, washwater, paint overspray, various cleaners/detergents and anti-corrosive compounds, paint chips, scrap metal, welding rods, wood, plastic, resins, glass fibers, dust, and miscellaneous trash such as paper and glass.

Ecology, local shipyards, and METRO have sampled pressure wash wastewater. The effluent quality has been variable and frequently exceeds water quality criteria for copper, lead, tin, and zinc. From monitoring results received to date, metal concentrations typically range from 5 to 10 mg/L, but have gone as high as 190 mg/L copper with an average 55 mg/L copper.

***Wood***

***SIC 2420, 2450,  
2434, 2490,  
2511/12, 2517,  
2519, 2521, 2541***

**Description:** This group includes sawmills, and all businesses that make wood products using cut wood, with the exception of wood treatment businesses. Wood treatment as well as log storage and sorting yards are covered in other sections of this chapter. Included in this group are planing mills, millworks, and businesses that make wooden containers and prefab building components, mobile homes, and glued-wood products like laminated beams, as well as office and home furniture, partitions, and cabinets. All businesses employ cutting equipment whose by-products are chips and sawdust. Finishing is conducted in many operations.

**Potential Pollutant Generating Sources:** Businesses may have operations that use paints, solvents, wax emulsions, melamine formaldehyde and other thermosetting resins, and produce waste paints and paint thinners, turpentine, shellac, varnishes and other waste liquids. Outside storage, trucking, and handling of these materials can also be pollutant sources.

Potential pollutants reported in EPA's draft multi-sector permit/fact sheet (U.S. EPA, 1995) include the following (all are grab/composite mean values, in mg/L, except for oil and grease and pH): BOD at 39.6/45.4, COD at 297.6/242.5, NO<sub>3</sub> + NO<sub>2</sub>-N at 0.95/0.75, TKN at 2.57/2.32, Tot. Phosphorus at 23.91/6.29; TSS at 1108/575, arsenic at .025/.028, copper at .047/.041, total phenols at .02/.007, oil and grease at 15.2, and pH at 3.6. These data may help in characterizing the potential stormwater pollutants at the facility.

**Wood Treatment**  
**SIC: 2491**

**Description:** This group includes both anti-staining and wood preserving. The wood stock must be brought to the proper moisture content prior to treatment, which is achieved by either air-drying or kiln drying. Some wood trimming may occur. After treatment, the lumber is typically stored outside. Forklifts are used to move both the raw and finished product. Wood treatment consists of a pressure process using the chemicals described below. Anti-staining treatment is conducted using dip tanks or by spraying. Wood preservatives include creosote, creosote/coal tar, pentachlorophenol, copper naphthenate or inorganic arsenicals such as chromated copper arsenate dissolved in water. The use of pentachlorophenol is declining in the Puget Sound region.

**Potential Pollutant Generating Sources:** Potential pollutant generating sources/activities include the retort area, handling of the treated wood, outside storage of treated materials/products, equipment/vehicle storage and maintenance, and the unloading, handling, and use of the preservative chemicals. Based on EPA's multi-sector permit/fact sheet (U.S. EPA, 1995) the following stormwater contaminants have been reported: COD, TSS, BOD, and the specific pesticide(s) used for the wood preservation.

**Other**  
**Manufacturing**  
**Businesses**

**SIC: 2200, 2300,**  
**2873/74, 3100,**  
**3200, 3250-69,**  
**3280, 3290**

**Description:** Includes manufacturing of textiles and apparel, agricultural fertilizers, leather products, clay products such as bricks, pottery, bathroom fixtures; and nonmetallic mineral products.

**Potential Pollutant Generating Sources:** Pollutant generating sources at facilities in these categories include fueling, loading & unloading, material storage and handling (especially fertilizers), and vehicle and equipment cleaning and maintenance. Potential pollutants include TSS, BOD, COD, Oil and Grease, heavy metals and fertilizer components including nitrates, nitrites, ammonia nitrogen, Kjeldahl Nitrogen, and phosphorous compounds.

## A.2 Transportation and Communication

### *Airfields and Aircraft*

**Description:** Industrial activities include vehicle and equipment fueling, maintenance and cleaning, and aircraft/runway deicing.

### *Maintenance SIC: 4513, 4515*

**Potential Pollutant Generating Sources:** Fueling is accomplished by tank trucks at the aircraft and is a source of spills. Dripping of fuel and engine fluids from the aircraft and at vehicle/equipment maintenance/cleaning areas application of deicing materials to the aircraft and the runways are potential sources of stormwater contamination. Aircraft maintenance and cleaning produces a wide variety of waste products, similar to those found with any vehicle or equipment maintenance, including: used oil and cleaning solvents, paints, oil filters, soiled rags, and soapy wastewater. Deicing materials used on aircraft and/or runways include ethylene and propylene glycol, and urea. Other chemicals currently considered for ice control are sodium and potassium acetates, isopropyl alcohol, and sodium fluoride. Pollutant constituents include oil and grease, TSS, BOD, COD, TKN, pH and specific deicing components such as glycol and urea.

### *Fleet Vehicle Yards SIC: 4100,*

**Description:** Includes all businesses which own, operate and maintain or repair large vehicle fleets, including cars, buses, trucks and taxis, as well as the renting or leasing of cars, trucks, and trailers.

### *4210, 4230, 7381/2, 7510*

#### **Potential Pollutant Generating Sources:**

1. Spills/leaks of fuels, used oils, oil filters, antifreeze, solvents, brake fluid, and batteries, sulfuric acid, battery acid sludge, and leaching from empty contaminated containers and soiled rags.
2. Leaking underground storage tanks that can cause ground water contamination and is a safety hazard.
3. Dirt, oils and greases from outside steam cleaning and vehicle washing.
4. Dripping of liquids from parked vehicles.
5. Solid and liquid wastes (noted above) that are not properly stored while awaiting disposal or recycling.
6. Loading and unloading area.

***Railroads***

***SIC: 4011/13***

**Description:** Railroad activities are spread over a large geographic area: along railroad lines, in switching yards, and in maintenance yards. Railroad activity occurs on both property owned or leased by the railroad and at the loading or unloading facilities of its customers. Employing BMPs at commercial or public loading and unloading areas is the responsibility of the particular property owner.

**Potential Pollutant Generating Sources:** The following are potential sources of pollutants: dripping of vehicle fluids onto the road bed, leaching of wood preservatives from the railroad ties, human waste disposal, litter, locomotive sanding areas, locomotive/railcar/equipment cleaning areas, fueling areas, outside material storage areas, the erosion and loss of soil particles from the bed, and herbicides used for vegetation management.

Maintenance activities include maintenance shops for vehicles and equipment, track maintenance, and ditch cleaning. In addition to the railroad stock, the maintenance shops service highway vehicles and other types of equipment. Waste materials can include waste oil, solvents, degreasers, antifreeze, radiator flush, acid solutions, brake fluids, soiled rags, oil filters, sulfuric acid and battery sludge, and machine chips with residual machining oil and any toxic fluids or solids lost during transit. The following are potential pollutants at railyards: Oil and grease, TSS, BOD, organics, pesticides, and heavy metals.

***Warehouses and  
Mini-Warehouses***

***SIC: 4220***

**Description:** Businesses that store goods in buildings and other structures.

**Potential Pollutant Generating Sources:** The following are potential pollutant sources from warehousing operations: Loading and unloading areas, outside storage of materials and equipment, fueling and maintenance areas. Potential pollutants include oil and grease and TSS.

***Other  
Transportation and  
Communication***

***SIC: 4700-4900***

**Description:** This group includes travel agencies, communication services such as TV and radio stations, cable companies, and electric and gas services. It does not include railroads, airplane transport services, airlines, pipeline companies, and airfields.

**Potential Pollutant Generating Sources:** Gas and electric services are likely to own vehicles that are washed, fueled and maintained on site. Communication service companies can generate used oils and Dangerous Wastes. The following are the potential pollutants: Oil and grease, TSS, BOD, and heavy metals.

### A.3 Retail and Wholesale Businesses

*Gas Stations*

Refer to BMP Fueling at Dedicated Stations in Chapter 2 of this Volume to select applicable BMPs.

*SIC: 5540*

*Recyclers and Scrap Yards*

Refer to BMP Recyclers and Scrap Yards

*SIC: 5093, 5015*

*Commercial Composting*

**Description:** This typically applies to businesses that have numerous compost piles that require large open areas to break down the wastes. Composting can contribute nutrients, organics, coliform bacteria, low pH, color, and suspended solids to stormwater runoff.

*SIC 2875*

*Restaurants/Fast Food*

**Description:** Businesses that provide food service to the general public, including drive through facilities.

*SIC: 5800*

**Potential Pollutant Generating Sources:** Potential pollutant sources include high-use customer parking lots and garbage dumpsters. The cleaning of roofs and other outside areas of restaurant and cooking vent filters in the parking lot can cause cooking grease to be discharged to the storm drains. The discharge of washwater or grease to storm drains or surface water is not allowed.

*Retail/General Merchandise*

**Description:** This group includes general merchandising stores such as department stores, shopping malls, variety stores, 24-hour convenience stores, and general retail stores that focus on a few product types such as clothing and shoes. It also includes furniture and appliance stores.

*SIC: 5300, 5600, 5700, 5900, and 5990*

**Potential Pollutant Generating Sources:** Of particular concern are the high-use parking lots of shopping malls and 24-hour convenience stores. Furniture and appliance stores may provide repair services in which Dangerous Wastes may be produced.

*Retail/Wholesale Vehicle and Equipment Dealers*

**Description:** This group includes all retail and wholesale businesses that sell, rent, or lease cars, trucks, boats, trailers, mobile homes, motorcycles and recreational vehicles. It includes both new and used vehicle dealers. It also includes sellers of heavy equipment for construction, farming, and industry. With the exception of motorcycle dealers, these businesses have large parking lots. Most retail dealers that sell new vehicles and large equipment also provide repair and maintenance services.

*SIC: 5010, 5080, and 5500, 751 excluding fueling stations (5540)*

**Potential Pollutant Generating Sources:** Oil and other materials that have dripped from parked vehicles can contaminate stormwater at high-use parking areas. Vehicles are washed regularly generating vehicle grime

and detergent pollutants. The storm or washwater runoff will contain oils and various organics, metals, and phosphorus. Repair and maintenance services generate a variety of waste liquids and solids including used oils and engine fluids, solvents, waste paint, soiled rags, and dirty used engine parts. Many of these materials are Dangerous Wastes.

***Retail/Wholesale  
Nurseries and  
Building Materials***

***SIC: 5030, 5198,  
5210, 5230, and  
5260***

**Description:** These businesses are placed in a separate group because they are likely to store much of their merchandise outside of the main building. They include nurseries, and businesses that sell building and construction materials and equipment, paint (5198, 5230) and hardware.

**Potential Pollutant Generating Sources:** Some businesses may have small fueling capabilities for forklifts and may also maintain and repair their vehicles and equipment. Some businesses may have unpaved areas, with the potential to contaminate stormwater by leaching of nutrients, pesticides, and herbicides. Businesses in this group surveyed in the Puget Sound area for Dangerous Wastes were found to produce waste solvents, paints and used oil. Storm runoff from exposed storage areas can contain suspended solids, and oil and grease from vehicles and forklifts and high-use customer parking lots, and other pollutants. Runoff from nurseries may contain nutrients, pesticides and/or herbicides.

***Retail/Wholesale  
Chemicals and  
Petroleum***

***SIC: 5160, 5170***

**Description:** These businesses sell plastic materials, chemicals and related products. This group also includes the bulk storage and selling of petroleum products such as diesel oil, automotive fuels, etc.

**Potential Pollutant Generating Sources:** The general areas of concern are the spillage of chemicals or petroleum during loading and unloading, and the washing and maintenance of tanker trucks and other vehicles. Also, the fire code requires that vegetation be controlled within a tank farm to avoid a fire hazard. Herbicides are typically used. The concentration of oil in untreated stormwater is known to exceed the water quality effluent guideline for oil and grease. Runoff is also likely to contain significant concentrations of benzene, phenol, chloroform, lead, and zinc.

***Retail/Wholesale  
Foods and  
Beverages***

***SIC 5140, 5180,  
541, 542, 543***

**Description:** Included are businesses that provide retail food stores including general groceries, fish and seafood, meats and meat products, dairy products, poultry, soft drinks, and alcoholic beverages.

**Potential Pollutant Generating Sources:** Vehicles may be fueled, washed and maintained at the business. Spillage of food and beverages may occur. Waste food and broken contaminated glass may be temporarily stored in containers located outside. High-use customer parking lots may be sources of oil and other contaminants.



**Other  
Retail/Wholesale  
Businesses**

**SIC: 5010 (not  
5012), 5040, 5060,  
5070, 5090, 515**

**Description:** Businesses in this group include sellers of vehicle parts, tires, furniture and home furnishings, photographic and office equipment, electrical goods, sporting goods and toys, paper products, drugs, and apparel.

**Potential Pollutant Generating Sources:** Pollutant sources include high-use parking lots, and delivery vehicles that may be fueled, washed, and maintained on premises.

## **A.4 Service Businesses**

**Animal Care  
Services**

**SIC: 0740, 0750**

**Description:** This group includes racetracks, kennels, fenced pens, veterinarians and businesses that provide boarding services for animals including horses, dogs, and cats.

**Potential Pollutant Generating Sources:** The primary sources of pollution include animal manure, washwaters, waste products from animal treatment, runoff from pastures where larger livestock are allowed to roam, and vehicle maintenance and repair shops. Pastures may border streams and direct access to the stream may occur. Both surface water and ground water may be contaminated. Potential stormwater contaminants include fecal coliform, oil and grease, suspended solids, BOD, and nutrients.

**Commercial Car  
and Truck  
Washes**

**SIC: 7542**

**Description:** Facilities include automatic systems found at individual businesses or at gas stations and 24-hour convenience stores, as well as self-service. There are three main types: tunnels, rollovers and hand-held wands. The tunnel wash, the largest, is housed in a long building through which the vehicle is pulled. At a rollover wash the vehicle remains stationary while the equipment passes over. Wands are used at self-serve car washes. Some car washing businesses also sell gasoline.

**Potential Pollutant Generating Sources:** Wash wastewater may contain detergents and waxes. Wastewater should be discharged to sanitary sewers. In self-service operations a drain is located inside each car bay. Although these businesses discharge the wastewater to the sanitary sewer, some washwater can find its way to the storm drain, particularly with the rollover and wand systems. Rollover systems often do not have air-drying. Consequently, as it leaves the enclosure the car sheds water to the pavement. With the self-service system, washwater with detergents can spray outside the building and drain to storm sewer. Users of self-serve operations may also clean engines and change oil, dumping the used oil into the storm drain. Potential pollutants include oil and grease, detergents, soaps, BOD, and TSS.

***Equipment  
Repair***  
***SIC: 7353, 7600***

**Description:** This group includes several businesses that specialize in repairing different equipment including communications equipment, radio, TV, household appliances, and refrigeration systems. Also included are businesses that rent or lease heavy construction equipment as miscellaneous repair and maintenance may occur on site.

**Potential Pollutant Generating Sources:** Potential pollutant sources include storage and handling of fuels, waste oils and solvents, and loading/unloading areas. Potential pollutants include oil and grease, low/high pH, and suspended solids.

***Laundries and  
Other Cleaning  
Services***  
***SIC: 7211  
through 7217***

**Description:** This category includes all types of cleaning services such as laundries, linen suppliers, diaper services, coin-operated laundries and dry cleaners, and carpet and upholstery services. Wet washing may involve the use of acids, bleaches and/or multiple organic solvents. Dry cleaners use an organic-based solvent, although small amounts of water and detergent are sometimes used. Solvents may be recovered and filtered for further use. Carpets and upholstery may be cleaned with dry materials, hot water extraction process, or in-plant processes using solvents followed by a detergent wash.

**Potential Pollutant Generating Sources:** Wash liquids are discharged to sanitary sewers. Stormwater pollutant sources include: loading and unloading of liquid materials, particularly at large commercial operations, disposal of spent solvents and solvent cans, high-use customer parking lots, and outside storage and handling of solvents and waste materials. Potential stormwater contaminants include oil and grease, chlorinated and other solvents, soaps and detergents, low/high pH, and suspended solids.

***Marinas and  
Boat Clubs***  
***SIC: 7999***

**Description:** Marinas and yacht clubs provide moorage for recreational boats. Marinas may also provide fueling and maintenance services. Other activities include cleaning and painting of boat surfaces, minor boat repair, and pumping of bilges and sanitary holding tanks. Not all marinas have a system to receive pumped bilge water.

**Potential Pollutant Generating Sources:** Both solid and liquid wastes are produced as well as stormwater runoff from high-use customer parking lots. Waste materials include sewage and bilge water. Maintenance by the tenants will produce used oils, oil filters, solvents, waste paints and varnishes, used batteries, and empty contaminated containers and soiled rags. Potential stormwater contaminants include oil and grease, suspended solids, heavy metals, and low/high pH.

***Golf and Country Clubs***

***SIC: 7992, 7997***

**Description:** Public and private golf courses and parks are included.

**Potential Pollutant Generating Sources:** Maintenance of grassed areas and landscaped vegetation has historically required the use of fertilizers and pesticides. Golf courses contain small lakes that are sometimes treated with algaecides and/or mosquito larvicides. The fertilizer and pesticide application process can lead to inadvertent contamination of nearby surface waters by overuse, misapplication, or the occurrence of storms shortly after application. Heavy watering of surface greens in golf courses may cause pesticides or fertilizers to migrate to surface and shallow ground water resources. The use of pesticides and fertilizers generates waste containers. Equipment must be cleaned and maintained.

***Miscellaneous Services***

***SIC: 4959, 7260, 7312, 7332, 7333, 7340, 7395, 7641, 7990, 8411***

**Description:** This group includes photographic studios, commercial photography, funeral services, amusement parks, furniture and upholstery repair and pest control services, and other professional offices. Pollutants from these activities can include pesticides, waste solvents, heavy metals, pH, and suspended solids, soaps and detergents, and oil and grease.

**Potential Pollutant Generating Sources:** Leaks and spills of materials from the following businesses can be sources of stormwater pollutants:

1. Building maintenance produces wash and rinse solutions, oils, and solvents.
2. Pest control produces rinsewater with residual pesticides from washing application equipment and empty containers.
3. Outdoor advertising produces photographic chemicals, inks, waste paints, organic paint sludges containing metals.
4. Funeral services produce formalin, formaldehyde, and ammonia.
5. Upholstery and furniture repair businesses produce oil, stripping compounds, wood preservatives and solvents.

***Professional Services***

***SIC: 6000, 7000 and 8000, 806, 807 not listed elsewhere***

**Description:** The remaining service businesses include theaters, hotels/motels, finance, banking, hospitals, medical/dental laboratories, medical services, nursing homes, schools/universities, and legal, financial and engineering services. Stormwater from parking lots will contain undesirable concentrations of oil and grease, suspended particulates, and metals such as lead, cadmium and zinc. Dangerous wastes might be generated at hospitals, nursing homes and other medical services.

**Potential Pollutant Generating Sources:** The primary concern is runoff from high use parking areas, maintenance shops, and storage and handling of dangerous wastes.

**Vehicle  
Maintenance and  
Repair**

**SIC: 4000, 7530,  
7600**

**Description:** This category includes businesses that paint, repair and maintain automobiles, motorcycles, trucks, and buses and battery, radiator, muffler, lube, tune-up and tire shops, excluding those businesses listed elsewhere in this manual.

**Potential Pollutant Generating Sources:** Pollutant sources include storage and handling of vehicles, solvents, cleaning chemicals, waste materials, vehicle liquids, batteries, and washing and steam cleaning of vehicles, parts, and equipment. Potential pollutants include waste oil, solvents, degreasers, antifreeze, radiator flush, acid solutions with chromium, zinc, copper, lead and cadmium, brake fluid, soiled rags, oil filters, sulfuric acid and battery sludge, and machine chips in residual machining oil.

**Multi-Family  
Residences**

**SIC: NA**

**Description:** Multifamily residential buildings such as apartments and condominiums. The activities of concern are vehicle parking, vehicle washing and oil changing, minor repairs, and temporary storage of garbage.

**Potential Pollutant Generating Sources:** Stormwater contamination can occur at vehicle parking lots and from washing of vehicles. Runoff from parking lots may contain undesirable concentrations of oil and grease, suspended particulates, and metals such as lead, cadmium, and zinc.

**Construction  
Businesses**

**SIC: 1500, 1600,  
1700**

**Description:** This category includes builders of homes, commercial and industrial buildings, and heavy equipment as well as plumbing, painting and paper hanging, carpentry, electrical, roofing and sheet metal, wrecking and demolition, stonework, drywall, and masonry contractors. It does not include construction sites.

**Potential Pollutant Generating Sources:** Potential pollutant sources include leaks/spills of used oils, solvents, paints, batteries, acids, strong acid/alkaline wastes, paint/varnish removers, tars, soaps, coatings, asbestos, lubricants, anti-freeze compounds, litter, and fuels at the headquarters, operation, staging, and maintenance/repair locations of the businesses.

Demolition contractors may store reclaimed material before resale. Roofing contractors generate residual tars and sealing compounds, spent solvents, kerosene, and soap cleaners, as well as non-hazardous waste roofing materials. Sheet metal contractors produce small quantities of acids and solvent cleaners such as kerosene, metal shavings, adhesive residues and enamel coatings, and asbestos residues that have been removed from buildings. Asphalt paving contractors are likely to store application equipment such as dump trucks, pavers, tack coat tankers and pavement rollers at their businesses. Stormwater passing through this equipment may be contaminated by the petroleum residuals. Potential

pollutants include oil and grease, suspended solids, BOD, heavy metals, pH, COD, organic compounds, etc.

## A.5 Public Agency Activities

### *Introduction*

Local, state, and federal governments conduct many of the pollutant generating activities conducted at business facilities. Local governments include cities and counties, and also single-purpose entities such as fire, sewer and water districts.

### *Public Facilities and Streets*

**Description:** Included in this group are public buildings. Also included are maintenance (deicing), and repair of streets and roads.

**Potential Pollutant Generating Sources:** Wastes generated include deicing and anti-icing compounds, solvents, paint, acid and alkaline wastes, paint and varnish removers, and debris. Large amounts of scrap materials are also produced throughout the course of construction and street repair. Potential pollutants include suspended solids, oil and grease, and low/high pH.

### *Maintenance of Open Public Space Areas*

**Description:** The maintenance of large open spaces that are covered by expanses of grass and landscaped vegetation. Examples are zoos and public cemeteries. Golf courses and parks are covered in Chapter 2.

**Potential Pollutant Generating Sources:** Maintenance of grassed areas and landscaped vegetation has historically required the use of fertilizers and pesticides. Golf courses contain small lakes that are sometimes treated with algaecides and/or mosquito larvicides. The application of pesticides can lead to inadvertent contamination of nearby surface waters by overuse, misapplication, or the occurrence of storms shortly after application. Heavy watering of surface greens in golf courses may cause pesticides or fertilizers to migrate to surface and shallow ground water resources. The application of pesticides and fertilizers generates waste containers. Equipment must be cleaned and maintained. Maintenance shops where the equipment is maintained must comply with the BMPs specified under BMP Maintenance and Repair of Vehicles and Equipment.

### *Maintenance of Public Stormwater Pollutant Control Facilities*

**Description:** Facilities include roadside catch basins on arterials and within residential areas, conveyance pipes, detention facilities such as ponds and vaults, oil and water separators, biofilters, settling basins, infiltration systems, and all other types of stormwater treatment systems presented in Volume III, Runoff Control.

**Potential Pollutant Generating Sources:** Research has shown that roadside catch basins can remove from 5 to 15 percent of the pollutants present in stormwater. However, to be effective they must be cleaned. Research has

indicated that once catch basins are about 60 percent full of sediment, they cease removing sediments. Generally in urban areas, catch basins become 60 percent full within 6 to 12 months.

Water and solids produced during the cleaning of stormwater treatment systems, including oil and water separators, can adversely affect both surface and ground water quality if disposed of improperly. Ecology has documented water quality violations and fish kills due to improper disposal of decant water (water that is removed) and catch basin sediments from maintenance activities. Disposal of decant water and solids shall be conducted in accordance with local, state, and federal requirements.

Historically, decant water from trucks has been placed back in the storm drain. Solids have been disposed of in permitted landfills and in unpermitted vacant land including wetlands. Research has shown that these residuals contain pollutants at concentrations that exceed water quality criteria. For example, limited sampling by King County and the Washington Department of Transportation of sediments removed from catch basins in residential and commercial areas has found the petroleum hydrocarbons to frequently exceed 200 mg/gram. Above this concentration, regulations require disposal at a lined landfill.

***Water and Sewer  
Districts and  
Departments***

**Description:** The maintenance of water and sewer systems can produce residual materials that, if not properly handled, can cause short-term environmental impacts in adjacent surface and/or ground waters. With the exception of a few simple processes, both water and sewage treatment produce residual sludge that must be disposed of properly. However, this activity is controlled by other Ecology regulatory programs and is not discussed in this manual. Larger water and sewer districts or departments may service their own vehicles.

**Potential Pollutant Generating Sources:** Maintenance operations of concern include the cleaning of sewer and water lines, and water reservoirs, general activities around treatment plants, disposal of sludge, and the temporary shutdown of pump stations for either normal maintenance or emergencies. During the maintenance of water transmission lines and reservoirs, water district/departments must dispose of wastewater, both when the line or reservoir is initially emptied, as well as when it is cleaned and then sanitized. Sanitation requires chlorine concentrations of 25 to 100 ppm, considerably above the normal concentration used to chlorinate drinking water. These waters are discharged to sanitary sewers where available.

However, transmission lines from remote water supply sources often pass through both rural and urban-fringe areas where sanitary sewers are not available. In these areas, chlorinated water may have to be discharged to a nearby stream or storm drain, particularly since the emptying of a pipe section occurs at low points that frequently exist at stream crossings. Although prior to disposal the water is dechlorinated using sodium

thiosulfate or a comparable chemical, malfunctioning of the dechlorination system can kill fish and other aquatic life. The drainage from reservoirs located in unsewered areas is conveyed to storm drains. The cleaning of sewer lines and manholes generates sediments. These sediments contain both inorganic and organic materials are odorous and contaminated with microorganisms and heavy metals. Activities around sewage treatment plants can be a source of non-point pollution. Besides the normal runoff of stormwater from paved surfaces, grit removed from the headworks of the plant is stored temporarily in dumpsters that may be exposed to the elements. Maintenance and repair shops may produce waste paints, used oil, cleaning solvents, and soiled rags.

### *Port Districts*

**Description:** The port districts considered here include the following business activities: recreational boat marinas and launch ramps, airfields, container trans-shipment, bulk material import/export including farm products, lumber, logs, alumina, and cement; and break-bulk (piece) material such as machinery, equipment, and scrap metals. Port districts frequently have tenants whose activities are not marine-dependent.

**Potential Pollutant Generating Sources:** Marine terminals require extensive use of mobile equipment that may drip liquids. Waste materials associated with containers/vehicle/equipment washing/steam cleaning, maintenance and repair may be generated at a marine terminal. Debris can accumulate in loading/unloading or open storage areas, providing a source of stormwater contamination. Wooden debris from the crating of piece cargo crushed by passing mobile loading equipment leaches soluble pollutants when in contact with pooled stormwater. Log sorting yards produce large quantities of bark that can be a source of suspended solids and leached pollutants. Potential pollutants include oil and grease, TSS, heavy metals, and organics.

## Appendix IV-B

# Stormwater Pollutants and Their Adverse Impact

---

The stormwater pollutants of most concern are total suspended solids (TSS), oil and grease, nutrients, pesticides, other organics, pathogens, biochemical oxygen demand (BOD), heavy metals, and salts (chlorides) (USEPA, 1995, Field and Pitt, 1997, Strecker, et.al., 1997)

<b>Total Suspended Solids</b>	This represents particulate solids such as eroded soil, heavy metal precipitates, and biological solids (all considered as conventional pollutants), which can cause sedimentation in streams and turbidity in receiving surface waters. These sediments can destroy the desired habitat for fish and can impact drinking water supplies. The sediment may be carried to streams, lakes, or Puget Sound where they may be toxic to aquatic life and make dredging necessary.
<b>Oil and Grease</b>	Oil and grease can be toxic to aquatic life. Concentrations in stormwater from commercial and industrial areas often exceed the Washington Department of Ecology (Ecology) guidelines of: 10 mg/l maximum daily average, 15 mg/L maximum at any time, and no ongoing or frequently recurring visible sheen.
<b>Nutrients</b>	Phosphorus and nitrogen compounds can cause excessive growth of aquatic vegetation in lakes and marine waters.
<b>BOD</b>	This represents organic, nitrogenous and other materials that are consumed by bacteria present in receiving waters. Oxygen may be depleted in the process, threatening higher organisms such as fish.
<b>Toxic Organics</b>	A study found 19 of the U.S. Environmental Protection Agency's 121 priority pollutants present in the runoff from Seattle streets. The most frequently detected pollutants were pesticides, phenols, phthalates, and polynuclear aromatic hydrocarbons (PAHs).
<b>Heavy Metals</b>	Stormwater can contain heavy metals such as lead, zinc, cadmium, and copper at concentrations that often exceed water quality criteria and that can be toxic to fish and other aquatic life. Research in Puget Sound has shown that metals and toxic organics concentrate in sediments and at the water surface (microlayer) where they interfere with the reproductive cycle of many biotic species as well as cause tumors and lesions in fish.
<b>pH</b>	A measure of the alkalinity or acidity which can be toxic to fish if it varies appreciably from neutral pH, which is 7.0.
<b>Bacteria and Viruses</b>	Stormwater can contain disease-causing bacteria and viruses, although not at concentrations found in sanitary sewage. Shellfish subjected to stormwater discharges near urban areas are usually unsafe for human consumption.



Research has shown that the concentrations of pollutants in stormwater from residential, commercial, and industrial areas can exceed Ecology's water quality standards and guidelines. See table below.

Pollutant	CONCENTRATIONS (µg/l or ppb)				ECOLOGY/USEPA CRITERIA (D)						
	Commercial		Industrial		Residential		Highway(C)	Freshwater Acute	Freshwater Chronic	Saltwater Acute	Saltwater Chronic
<b>Total Phosphorus</b>	<u>(A)</u> 210	<u>(B)</u> 260	<u>(A)</u> 380	<u>(B)</u> 680	<u>(A)</u> 150	<u>(B)</u> 260	113-790	--	--	--	--
<b>Tot. Copper</b>	22	31	32	49	10	31	12-152	9	7	2.9	--
<b>Tot. Lead</b>	26	37	21	121	10	37	19/36	34	1.3	220	8.5
<b>Tot. Zinc</b>	115	200	251	1,324	69	200	56-638	65	59	95	86
<b>TSS, mg/L</b>	55	66	93	134	43	66	63-798	--	--	--	--
<b>BOD, mg/L</b>	7.4	8	18	12	5.8	8	12.7/111	--	--	--	--
<b>Oil, mg/L</b>	--	--	--	--	--	--	8.9/27	--	--	--	--
<b>Fecal Coli</b>	980 orgs/ 100 mls(E)		--	--	--	--	--	50 colonies/ 100 mls(F)	--	--	--

- A. Eric Strecker, "Analysis of Oregon Urban Runoff Water Quality Data Collected from 1990 to 1996"- 2/1997 Report
- B. Santa Clara-1990: median data
- C. WSDOT Stormwater Management Plan, 3/25/97, WA. and Oregon data
- D. Dissolved metal criteria in freshwater at a hardness of 50 ppm (Chapter 173-201A WAC), saltwater criteria expressed as a function of water effect ratio (40 CFR Part 131)
- E. Ecology geometric mean criterion for class AA waters.

## Appendix IV-C Recycling/Disposal of Vehicle Fluids/Other Wastes\*

	RECOMMENDED MANAGEMENT
<b>Antifreeze</b>	Store separately for resale. Separate ethylene glycol from propylene glycol for off-site recycling. If not recyclable, send to Treatment, Storage, and Disposal Facility (TSD) for disposal.
<b>Batteries</b>	INTACT: Accumulate under cover prior to sale, deliver to recycler or, return to manufacturer. BROKEN: Accumulate acid from broken batteries in resistant containers with secondary containment. Send to TSD for disposal.
<b>Brake fluid</b>	Accumulate in separate, marked, closed container. Do not mix with waste oil. Recycle.
<b>Fuel</b>	Store gasoline, and diesel separately for use or resale. Mixtures of diesel, gasoline, oil, and other fluids may not be recyclable and may require expensive disposal.
<b>Fuel filters</b>	Drain fluids for use as product. With approval of local landfill operator, dispose to dumpster, if needed.
<b>Oil filters</b>	Puncture the filter dome and drain it for 24 hours. Put oil drained from filters into your "USED OIL ONLY" container. Keep drained filters in a separate container marked "USED OIL FILTERS ONLY." Locate a scrap metal dealer who will pick up and recycle your filters. With approval of local landfill operator, dispose of drained filters to dumpster.
<b>Paint</b>	Accumulate oil-based and water-based paints separately for use or resale. If not recyclable, send accumulations to TSD for disposal.
<b>Power steering fluid</b>	Same as for used oils
<b>Shop towels/oily rags</b>	Use cloth towels that can be laundered and reused. Accumulate used shop towels in a closed container. Sign up with an industrial laundry service that can recycle your towels.
<b>Solvents</b>	Consider using less hazardous solvents or switching to a spray cabinet that doesn't use solvent. Accumulate solvents separately. Consider purchasing your own solvent still and recycling solvent on site. Do not mix with used oil. Do not evaporate as a means of disposal.
<b>Transmission oil, differential and rear end fluids</b>	Accumulate in your "USED OIL ONLY" container. Arrange for pickup for off-site recycling.
<b>Used oils; including, crankcase oil, transmission oil, power steering fluid and differential/rear end oil</b>	Keep used oil in a separate container marked "USED OIL ONLY." Do not mix with brake fluid, or used antifreeze. Do not mix with any other waste if you plan to burn it in your shop for heating. Arrange for pickup for off-site recycling.
<b>Windshield washer fluid</b>	Accumulate separately for use or resale. Discharge to on-site sewage disposal, or, if acceptable by the local sewer authority, discharge to sanitary sewer.

\* This information was obtained from Ecology's Hazardous Waste Program.

For a copy of "Hazardous Waste Services Directory," Publication #91-12s, Revised December 1994, listing facilities which recycle/dispose of wastes, solvents, paints, photographic wastes, refrigerants, oils, oil filters, and silver; provide spill assistance and oil/water separator cleanout service, and drum disposal/recycling; TSD facilities; and waste brokers; call Ecology's Hazardous Waste and Toxic Reduction Program at (360) 407-6721.



## Appendix IV-D

### Regulatory Requirements That Impact Stormwater Programs

---

#### *R.1 Stormwater Discharges to Public Sanitary Sewers, Septic Systems, Dead-End Sumps, and Industrial Waste Treatment Systems*

**Stormwater Discharges to Sanitary Sewers.** Discharging stormwater to a public sanitary sewer is normally prohibited, as this tends to overload the sewage treatment plant during storm events when flows are already high. Direct discharge of relatively uncontaminated or treated stormwater from businesses typically poses less of a threat to the environment than pass through of solids due to “wash out” at the sewage treatment plant during storm events. Such discharges require the approval of the local Sewer Authority if the Department of Ecology (Ecology) has delegated the authority to set pretreatment requirements. If the Sewer Authority has not received such authority, the business or public agency that wishes to discharge stormwater to the sanitary sewer must also apply for a State Waste Discharge Permit.

In setting pretreatment requirements, the local Sewer Authority or Ecology must operate within state regulations (Chapter 173-216 WAC – State Waste Water Discharge Permit Program) which in turn must comply with federal regulations (40 CFR Part 403.5 – National Pretreatment). These regulations specifically prohibit discharge of any materials which:

Pass through the municipal treatment plant untreated or interfere with its operation;

Create a fire or explosion hazard, including, but not limited to, wastestreams with a closed cup flash point of less than 140 degrees Fahrenheit or 60 degrees Centigrade using the test methods specified in 40 CFR 261.21;

Will cause corrosive structural damage to the Publicly Owned Treatment Works (POTW), but in no case Discharges with pH lower than 5.0, or greater than 11, unless the works is specifically designed to accommodate such Discharges; and the discharge authorized by a permit issued under Chapter 173-216 WAC. (See WAC 173-216-060 (2) (iv));

Solid or viscous pollutants in amounts which will cause obstruction to the flow in the POTW resulting in interference;

Heat in amounts which will inhibit biological activity in the POTW resulting in interference, but in no case heat in such quantities that the temperature at the POTW Treatment Plant exceeds 40 degrees Centigrade (104 degrees Fahrenheit) unless the system is specifically designed to accommodate such discharge, and the discharge is authorized by a permit under Ch 173-216 WAC. (See WAC 173-216-060 (2) (v));

Petroleum oil, nonbiodegradable cutting oil or products of mineral oil origin in amounts that will cause interference or pass through the treatment plant;

Pollutants which result in the presence of toxic gases, vapors, or fumes within the POTW in a quantity that may cause acute worker health and safety problems;

Any trucked or hauled pollutants, except at discharge points designated by the POTW;

Any discharge which would violate the dangerous waste regulations, Chapter 173-303 WAC (see WAC 173-216-060(1));

Any of the following discharges, unless approved by the department under extraordinary circumstances, such as lack of direct discharge alternatives due to combined sewer service or need to augment sewage flows due to septic conditions: (WAC 173-216-060(2)(vii)):

- Noncontact cooling water in significant volumes
- Stormwater, and other direct inflow sources
- Wastewater significantly affecting system hydraulic loading, which do not require treatment or would not be afforded a significant degree of treatment by the system.

Discharges of stormwater authorized under Chapter 173-216 WAC, typically limit flows entering the sanitary sewer based on the available hydraulic capacity of the collection system or the treatment plant by the combined flow of sanitary sewage and stormwater. The allowable concentrations of particular materials such as metals and grease vary with the particular sewer system. Discharges must be in compliance with all local government limits. Please contact both the POTW and the regional water quality program to find out what discharge limits apply to a particular sewerage system.

**Stormwater Discharges to an Industrial Waste Treatment System:**

Process treatment may be used to dispose of polluted stormwater depending on the NPDES permit constraints of the particular business.

**Stormwater Discharges to Dead-end Sumps:** A substance that causes a violation of water quality standards must not be discharged to a septic system, surface water, or ground water. If a sanitary or industrial wastewater treatment system is not available, an alternative is the use of a dead-end sump. Sumps are tanks with drains that can be periodically pumped for appropriate disposal. Depending on the composition of the waste, it may or may not be considered Dangerous Waste.

*For more information on disposal requirements for sumps, see Step By Step: Fact Sheets for Hazardous Waste Generators, publication #91-12, available from Ecology's Regional Offices.*

**R.2 Uniform Fire Code Requirements**

Storage of flammable, ignitable and reactive chemicals and materials must comply with the stricter of local zoning codes, local fire codes, the Uniform Fire Code, Uniform Fire Code standards or the National Electric Code.

**R.3 Ecology Requirements for Generators of Dangerous Wastes**

The State's Dangerous Waste Regulations (Chapter 173-303 WAC) cover accumulation, storage, transportation, treatment and disposal of dangerous wastes. Of interest to this manual are those businesses or public agencies that accumulate the waste at their building until taken from the site by a contract hauler.

*For more information on applicable requirements for hazardous wastes, see Step By Step: Fact Sheets for Hazardous Waste Generators, publication #91-12, available from Ecology's Regional Offices.*

**R.4 Minimum Functional Standards For Containers**

The local health department or district establishes standards on the use and integrity of solid waste containers such as dumpsters. These local regulations must meet or exceed the State Minimum Functional Standards, WAC 173-304-200.

**R.5 Coast Guard Requirements For Marine Transfer of Petroleum Products**

Federal regulations 33 CFR Parts 153, 154 and 155 cover, respectively, general requirements on spill response, spill prevention at marine transfer facilities, and spill prevention for vessels. These regulations specify technical requirements for transfer hoses, loading arms, closure and monitoring devices. The regulations also cover small discharge containment: they require the use of "fixed catchments, curbing, and other fixed means" at each hose handling and loading arm area, and each hose connection manifold area. Portable containment means can be used in exceptional situations where fixed means are not feasible. The capacity of the containment area varies from the volume of 1 to 4 barrels depending on the size of the transfer hoses.

The regulations also require an operations plan and specify its general contents. The plan shall describe the responsibilities of personnel, nature of the facility, hours of operation, sizes and numbers of vessels using the facility, nature of the cargo, procedures if spills occur, and petroleum transfer procedures. The plan must also include a description and location of equipment for monitoring, containment, and fire fighting. *See also, NFPA 30A Automotive and Marine Service Station Code, American National Standard Institute and the National Fire Protection Association.*

***R.6 Washington  
State/Federal  
Emergency Spill  
Cleanup  
Requirements***

**Washington State Requirements**

The Oil and Hazardous Substance Spills Act of 1990 and the Oil Spill Prevention and Response Act of 1991 (Chapter 90.56 RCW) authorized Ecology to develop effective oil spill response regulations.

The Facility Contingency Plan and response Contractor Standards (Chapter 173-181 WAC)

This Ecology regulation applies to all oil handling facilities (including pipelines) that are on or near navigable waters and transfer bulk oil by tank, ship or pipeline. It contains the following elements:

- Standards for contingency plan content
- Procedures to determine the adequacy of contingency plans
- Requirements for periodic review
- Standards for cleanup and containment contractors

The Oil Handling Training and Certification Rule (Chapter 173-180 WAC) establishes oil spill training and certification requirements for key facility personnel including applicable contractors involved in oil handling, transfer, storage, and monitoring operations.

In accordance with WAC 173-303-350 of Ecology's Dangerous Waste Regulations generators of dangerous wastes must have a Contingency Plan that includes:

- Actions to be taken in the event of spill
- Descriptions of arrangements with local agencies
- The name of the owner's Emergency Coordinator
- A list of emergency equipment available
- An evaluation plan for business personnel

*For more information on disposal requirements for solid and hazardous wastes, see Step By Step: Fact Sheets for Hazardous Waste Generators, publication #91-12, available from Ecology's Regional Offices.*

**Federal Requirements:**

The Oil Pollution Act of 1990 is a comprehensive federal law which addresses marine oil spill issues including contingency plans, financial responsibility, marine safety regulations, etc.

**Spill Prevention Control and Countermeasure (SPCC) Plans**

Federal Regulations require that owners or operators of facilities engaged in drilling, producing, gathering, storing, processing, refining, transferring, or consuming oil and oil products are required to have a Spill Prevention and Control Plan (SPCC), provided that the facility is non-transportation related; and, that the above-ground storage of a single container is in excess of 660 gallons, or an aggregate capacity greater than 1,320 gallons,

or a total below-ground capacity in excess of 42,000 gallons. The Plan must:

- Be well thought out in accordance with good engineering;
- Achieve three objectives - prevent spills, contain a spill that occurs, and clean up the spill;
- Identify the name, location, owner, and type of facility;
- Include the date of initial operation and oil spill history;
- Name the designated person responsible;
- Show evidence of approval and certification by the person in authority; and
- Contain a facility analysis.

**R.7 WSDA  
Pesticide  
Regulations**

Washington State pesticide laws are administered by the Department of Agriculture (WSDA), under the Washington Pesticide Control Act (Chapter 15.58 RCW), Washington Pesticide Application Act (Chapter 17.21 RCW), and regulations under Chapter 16-228 WAC. The requirements relevant to water quality protection are:

Persons who apply pesticides are required to be licensed except:

- People who use general-use pesticides on their own or their employer's property;
- Grounds maintenance people using only general-use pesticides on an occasional basis not amounting to a regular occupation;
- Governmental employees who apply general-use pesticides without utilizing any kind of motorized or pressurized apparatus;
- Employees of a commercial applicator or a government agency who are under direct on-site supervision by a licensed applicator.

Licensed applicators must undergo 40 hours of continuing education to keep their license.

No person shall pollute streams, lakes, or other water supplies while loading, mixing or applying pesticides.

No person shall transport, handle, store, load, apply, or dispose of any pesticide, pesticide container, or apparatus in such a manner as to pollute water supplies or waterways, or cause damage or injury to land, including humans, desirable plants and animals.

*For more information on pesticide application and disposal requirements the following publications may be useful:*

*“Hazardous Waste Pesticides: A Guide for Growers, Applicators, Consultants and Dealers,” Ecology Publication #89-41, August 1989, available from Ecology’s Regional Offices.*

*“Suspended, Canceled and Restricted Pesticides,” EPA, available from the EPA Region 10 Office in Seattle.*



*“Best Management Practices for Agricultural Chemicals-A Guide for Pesticide Secondary Containment,” Ecology Publication #94-189.*

*“Site Evaluation-A Guide for Pesticide Secondary Containment,” Ecology Publication #94-188.*

*“Reducing and Managing Wastes From Catchbasins-A Guide for Pesticide Secondary Containment,” Ecology Publication #94-186.*

*“Spill Reporting and Cleanup in Washington State-A Guide for Pesticide Secondary Containment,” Ecology Publication #94-187.*

*“Pesticide Container Cleaning and Disposal,” Ecology Publication #96-431.*

*“Step By Step: Fact Sheets for Hazardous Waste Generators,” Ecology Publication #91-12.*

## **R.8 Air Quality Regulations**

Regulation of air pollutant emissions in Washington is controlled by seven local air pollution control agencies, three Ecology regional offices and two Ecology programs (Central Program’s Industrial Section, and Nuclear and Mixed Waste Program). All of the local air pollution agencies and the regional offices enforce local, state and federal air pollution regulations. The Industrial Section of Ecology’s Central Program enforces state and federal air pollution regulations at chemical pulp mills and aluminum reduction facilities. The Nuclear and Mixed Waste Program enforces state and federal air pollution regulation on the Hanford Nuclear Reservation.

Whether it is to control the generation of fugitive emissions or point source (smoke stack) emissions, new and existing sources of air pollutants must comply with the requirements contained in their air pollution permits, regulatory orders, and local, state, and federal air pollution regulations. This will minimize the effects of each facility’s emissions on stormwater.

**Fugitive Particulate Matter Emissions:** The local and state air pollution control agencies require that all reasonable precautions be taken to prevent fugitive particulate matter (wind blown dust) from becoming airborne when handling, loading, transporting, and storing particulate material. Particulate materials of concern can include grain and grain dust, saw dust, coal, gravel and crushed rock, cement, and boiler fly ash.

Some of the local authorities take the general requirement to control fugitive emissions further. For example, the Puget Sound and Benton County Air Pollution Control Agencies have defined what “reasonable precautions” means for various dust causing activities in their jurisdictions.

Some actions that have been defined as “reasonable precautions” to prevent fugitive particulate emissions include paving of parking and storage areas, minimizing the area of land that has been cleared for

housing development, various housekeeping activities such as sweeping paved areas, minimization of the accumulation of mud and dust and preventing mud and dust being tracked onto public roads, and stabilization of materials piles and open, cleared land areas with water sprays, chemical stabilizers or other means that minimize dust generation. All air authorities require sand blasting and spray painting activities be performed indoors with proper air pollution controls in use or, if that is not possible, out of doors but within acceptable, temporary enclosures.

**Gaseous Air Pollutant Emissions:** Gaseous air pollutants are controlled at the point of origin through add-on emission controls or pollution prevention measures. Each emission point at a plant generally has emission limits that must be complied with.

Sources of gaseous air pollutants can include petroleum storage tank breather and pressure release systems, combustion units (boilers and heaters), commercial printers, can manufacturers, steel mills, pulp and paper plants, auto body repair shops, etc. Examples of gaseous air pollutants that can be emitted include acetone, methylene chloride, styrene, nitrogen oxides, benzene, carbon monoxide, alcohol, organic sulfides and petroleum, and chlorinated solvents.

Some gaseous pollutants can be washed out of the air during rainstorms and enter stormwater. Others are photochemically degraded or converted in the air to other compounds that can be removed by rainfall or by settling on the ground. Gaseous air pollutants such as sulfur dioxide react in the air to generate acidic particulate matter. These particulates are usually removed from the atmosphere by settling out or being washed out of the air. In the case of sulfur oxides, this removal usually occurs at some distance (tens to hundreds of miles) from the facility that emitted the pollutant.

***R.9 Ecology Waste  
Reduction  
Program***

The 1990 Hazardous Waste Reduction Act, Chapter 70.95C RCW, established a goal to reduce hazardous waste generation by 50 percent. The primary means for achieving this goal is through implementation of a pollution prevention-planning program, also established in the Act. Facilities that generate in excess of 2,640 pounds of hazardous waste per year, or who are required to report under the Toxic Release Inventory (TRI) of Title III of the Superfund Amendments and Reauthorization Act (SARA), are subject to this law. Some 650 facilities in Washington currently participate in this planning program.

Pollution prevention planning is an activity that involves:

Inventorizing hazardous substances used and hazardous waste generated;

Identifying opportunities to prevent pollution;

Analyzing the feasibility of these prevention opportunities; and

Setting goals for hazardous substance use reduction and hazardous waste reduction, recycling and treatment.

Ecology promotes pollution prevention through initiatives other than planning. Several campaigns targeting specific industries have been conducted and more are being planned. These campaigns have a joint focus of pollution prevention and regulatory compliance, and help target future technical assistance. Ecology provides technical assistance through its regional offices, with emphasis on the reduction of hazardous substance use and hazardous waste generation. Site visits, phone consultations, and workshops are some of the ways assistance is provided to businesses and governmental entities.

Pollution prevention has emerged as a key strategy for protecting the environment. Business, industry and government alike recognize the benefits of prevention rather than end of pipe controls. Many factors, including regulatory compliance, cost savings, worker safety and reduced liabilities help validate pollution prevention as an approach to be incorporated into all business practices.

***R.10 Washington  
State Ground  
Water Quality  
Standards***

In December 1990, the state of Washington adopted ground water quality standards to prevent ground water pollution and protect both current and future beneficial uses of the resource. Beneficial uses of ground water include drinking water, irrigation, and support of wildlife habitat. These standards apply to any activity, including point and non-point, which has a potential to contaminate ground water. The standards protect all ground water within the saturated zone throughout the State of Washington and do not distinguish ground water that is isolated, seasonal, or artificial from that which is extensive and naturally occurring. The standards incorporate an existing part of state water quality law: the antidegradation policy, which is an integral part of both the ground and surface water quality standards.

The standards consist of both numeric criteria and narrative standards designed to protect both current and future beneficial uses of ground water. The numeric criteria for primary, secondary, and radionuclide contaminants have been adopted from the Federal Safe Drinking Water Act of 1971. Numeric criteria for carcinogenic compounds are based upon human health criteria. These criteria represent the maximum allowable contaminant concentration in ground water within the aquifer. However, the antidegradation policy requires that ground water quality be protected to the greatest extent possible prior to contaminant concentrations reaching those specified within the numeric criteria. To address this requirement, narrative standards were developed which are based upon background water quality and use of treatment technologies and are site specific in nature. Under these standards, specific early warning and enforcement limits are set at a point of compliance which must be met by

a facility or activity if enforcement action is to be avoided. All facilities or activities within the State of Washington must first attempt to meet these narrative standards. The determination of specific limits is outlined in *Implementation Guidance for the Ground Water Quality Standards*, Ecology publication #96-02 (Ecology, 1996).

In addition to using background ground water quality as a basis for determining specific early warning and enforcement limits, Washington law requires that all activities with the potential to contaminate water implement practices known as AKART – short for “all known available and reasonable methods of prevention, control and treatment.” AKART must be used regardless of the quality of the receiving waters. As technology and preventive controls are refined to better protect water quality, AKART is also redefined. In individual cases where AKART fails to protect water quality, the activity must apply additional controls.

State law requires the permitting of any industrial, commercial, or municipal operation, which discharges waste material into ground and/or surface waters. These permits, issued by Ecology, set limits and conditions for discharges. Underground injection activities, while exempt from the State Waste Discharge Program, Chapter 173-216 WAC, are required to meet the ground water quality standards and may be permitted under Chapter 173-218 WAC, Underground Injection Control Program. Guidance for permit development will describe how an industry or commercial or municipal operation must conduct its activities in order to protect ground water quality.

The ground water quality standards provide for several exemptions. One of these exceptions provides that the standards do not apply in the root zone of saturated soils where agricultural pesticides or nutrients have been applied at agronomic rates for agricultural purposes. The standards do apply below the crop's root zone. State approved BMPs may be considered one type of AKART for agriculture, and other point and non-point sources. Another exemption applies to any remedial or clean-up activity conducted under federal CERCLA or state Model Toxics Control Act.



# Appendix IV-E

## NPDES Stormwater Discharge Permits

---

### Summary:

The Environmental Protection Agency's (EPA) National Pollutant Discharge Elimination System Permit (NPDES) regulations for stormwater (40 CFR Parts 122, 123, and 124) became effective on November 16, 1990. Because Washington is an NPDES delegated state, it issues NPDES permits for designated industries, construction sites, and municipalities.

### *Industrial Stormwater Permits:*

USEPA regulations list certain industrial activities (Reference: 40 CFR 122.26(b)(14) which may need to have a stormwater discharge permit. The following categories (1 through 10) of facilities are considered to be engaging in "industrial activity." They are required by EPA to have a stormwater NPDES permit if they have a stormwater discharge to surface water.

1) Facilities subject to stormwater effluent limitations guidelines, new source performance standards, or toxic pollutant effluent standards under 40 CFR subchapter N (except facilities with toxic pollutant effluent standards under category 11 below).

2) Facilities classified by the Standard Industrial Classification (SIC) system as:

- 24 - Lumber and Wood Products except Furniture (except 2434-Wood Kitchen Cabinets)
- 26 - Paper and Allied Products (except 265-Paperboard Containers and Boxes, and except 267-Converted Paper and Paperboard Products except Containers and Boxes)
- 28 - Chemicals and Allied Products (except 283-Drugs; and 285-Paints, Varnishes, Lacquers, Enamels, and Allied Products)
- 29 - Petroleum Refining and Related Industries
- 311- Leather Tanning and Finishing
- 32 - Stone, Clay, Glass and Concrete Products (except 323-Glass Products, made of Purchased Glass)
- 33 - Primary Metal Industries
- 3441 - Fabricated Structural Metal Products
- 373- Ship and Boat Building and Repair

3) Facilities classified by the Standard Industrial Classification (SIC) system as:

- 10 - Metal Mining
- 12 - Coal Mining
- 13 - Oil and Gas Extraction
- 14 - Mining and Quarrying of Nonmetallic Minerals, except Fuels (Includes active or inactive mining operations (except for areas of coal mining operations no longer meeting the definition of a reclamation area under 40 CFR 434.11(1) or except for areas of non-coal mining operations which have been released from applicable state or federal reclamation requirements by December 17, 1990) and oil and gas exploration, production, processing or treatment operations, or transmission facilities that discharge storm water that has come into contact with any overburden, raw material, intermediate products, finished products, byproducts or waste products located on the site of such operation.

4) Hazardous waste treatment, storage, or disposal facilities, including those that are operated under interim status or a permit under subtitle C of RCRA.

5) Landfills, land application sites and open dumps that receive or have received any industrial wastes (waste that is received from any of the facilities described under this subsection) including those that are subject to regulation under subtitle D of RCRA.

6) Facilities involved in the recycling of materials including metal scrap yards, battery reclaimers, salvage yards and automobile junkyards, including but not limited to those classified as SIC 5015-Wholesale Trade Activities of Motor Vehicle Parts, Used; and SIC 5093-Scrap and Waste Materials.

7) Steam electric power generating facilities, including coal-handling sites.

8) Transportation facilities classified under the following SIC codes, which have vehicle maintenance shops, equipment-cleaning operations, and airport deicing operations. (Only those portions of the facility involved in the above activities, or which are otherwise identified in one of the other 10 categories.)

- 40 - Railroad Transportation
- 41 - Local and Suburban Transit and Interurban Highway Passenger Transportation

- 42 - Motor Freight Transportation and Warehousing (except 4221-Farm Product Warehousing and Storage, 4222-Refrigerated Warehousing and Storage, and 4225-General Warehousing and Storage)
- 43 - United States Postal Service
- 44 - Water Transportation
- 45 - Transportation by Air
- 5171- Petroleum Bulk Stations and Terminals

9) Treatment works treating domestic sewage or any other sewage sludge or wastewater treatment device or system, used in the storage treatment, recycling, and reclamation of municipal or domestic sewage, including land dedicated to the disposal of sewage sludge that are located within the confines of the facility, with a design flow of 1.0 MGD or more, or required to have an approved pretreatment program under 40 CFR part 403. Not included are farm lands, domestic gardens or lands used for sludge management where sludge is beneficially reused and which are not physically located in the confines of the facility, or areas that are in compliance with section 405 of the Clean Water Act.

10) Construction activity including clearing, grading and excavation activities except: operations that result in the disturbance of less than one acre of total land area which are not part of a larger common plan of development or sale. (See “Construction Stormwater Permits” below)

11) Facilities under the following SIC classifications need to apply for a stormwater NPDES permit only if they are engaged in an “industrial activity” which is exposed to stormwater and they have a point source stormwater discharge to surface water.

- 20 - Food and Kindred Products
- 21 - Tobacco Products
- 22 - Textile Mill Products
- 23 - Apparel and Other Finished Products made from Fabrics and Similar Materials Wood Kitchen Cabinets
- 25 - Furniture and Fixtures
- 265 - Paperboard Containers and Boxes
- 267 - Converted Paper and Paperboard Products, Except Containers and Boxes
- 27 - Printing, Publishing and Allied Industries
- 283 - Drugs
- 285 - Paints, Varnishes, Lacquers, Enamels, and Allied Products
- 30 - Rubber and Miscellaneous Plastic Products



- 31 - Leather and Leather Products (except 311, Leather Tanning and Finishing)
- 323 - Glass Products made of Purchased Glass
- 34 - Fabricated Metal Products, Except Machinery and Transportation Equipment (except 3441, Fabricated Structural Metal Products)
- 35 - Industrial and Commercial Machinery and Computer Equipment
- 36 - Electronic and Other Electrical Equipment and Components, Except Computer Equipment
- 37 - Transportation Equipment (except 373, Ship and Boat Building and Repair)
- 38 - Measuring, Analyzing, and Controlling Instruments, Photographic, Medical and Optical Goods, Watches and Clocks
- 39 - Miscellaneous Manufacturing Industries
- 4221 - Farm Product Warehousing and Storage
- 4222 - Refrigerated Warehousing and Storage
- 4225 - General Warehousing and Storage

For the industries identified in SIC categories (1) through (10), a permit is necessary if there is a point source stormwater discharge to a surface water, storm drain which discharges to surface water directly or indirectly, or a municipal storm sewer from any of the following areas of industrial activity: industrial plant yards; immediate access roads and rail lines used or traveled by carriers of raw materials, manufactured products, waste material, or by-products used or created by the facility; material handling sites; refuse sites; sites used for the application or disposal of process waste waters (as defined at 40 CFR part 401); sites used for the storage and maintenance of material handling equipment; sites used for residual treatment, storage, or disposal; shipping and receiving areas; manufacturing buildings; storage areas (including tank farms) for raw materials, and intermediate and finished products; and areas where industrial activity has taken place in the past and significant materials remain and are exposed to storm water.

Industries in Categories 1 through 9 can submit an application and qualify for a Conditional “No Exposure” Certificate

For the industries identified in SIC category (11), a permit is required for point source discharges from any of the areas that are listed above (except access roads and rail lines of SIC category 11 industries), only if material handling equipment or activities, raw materials, intermediate products, final products, waste materials, by-products, or industrial machinery are

exposed to stormwater. However, they must submit a “No Exposure” Certificate to be excused from the permit.

***How and When  
Do I Apply for A  
Permit?***

Three types of permits are possible. Each has a different application process.

**General Permit for Industrial Activities:** An application for coverage under the general stormwater permit, referred to as a Notice of Intent (NOI), should be submitted to Ecology.

**Individual Permit:** An industrial facility that is required to have a stormwater permit may volunteer or be required to apply for an individual permit. An individual permit is a permit that is written for and issued to a specific facility. EPA regulations require that industries not covered under a general (baseline) permit must apply for an individual stormwater permit. Individual permit applicants for discharges composed entirely of stormwater, must comply with 40 CFR 122.21, and complete EPA forms 1 and 2F. Ecology is prepared to issue individual permits for facilities not already under permit only for exceptional circumstances. All facilities are encouraged to participate in receiving coverage under the baseline general permit by submitting a Notice of Intent.

**Industry-Specific General Permits:** Ecology will consider development of industry-specific general permits, as needed. An industry-specific permit is a permit that can apply to all industries of a similar type. Examples of industry-specific general permits that include stormwater are Sand and Gravel, and Boatyards.

**What Does The  
Baseline General  
Permit Require  
Industries To Do?**

The development of a Stormwater Pollution Prevention Plan (SWPPP) by each industry is a key Permit requirement. The SWPPP requirements include:

- Identifying the potential sources of pollutants that may contaminate stormwater.
- A description and implementation of operational and structural source control BMPs to reduce the stormwater pollutants and comply with the stormwater general permit.

The permit also includes requirements for:

- Effluent limitations for certain types of industrial facilities;
- Monitoring: All facilities are required to conduct quarterly monitoring and sampling. There are additional monitoring requirements for certain, identified industry groups;
- Application of additional operational and structural source control BMPs to control pollutants further if certain “benchmark” levels of pollutants, as identified in the permit, are exceeded;

- Application of additional operational and structural source control BMPs if “action” levels of pollutants, as identified in the permit, are exceeded in two out of the previous four quarterly samples;
- Application of additional operational and structural source control BMPs and treatment BMPs if “action” levels of pollutants are exceeded in any four quarterly samples.
- Reporting and Recordkeeping;
- Operation and Maintenance

**Municipalities  
May Have To  
Apply for an  
Industrial  
Stormwater  
Permit**

Some municipalities own or operate an “industrial activity.” If that industrial activity has a stormwater discharge from one of the areas described above, the municipality should apply for a stormwater permit, UNLESS the site qualifies for a Conditional “No Exposure” Certificate. In the latter case, a “no exposure” application form should be submitted.

Industrial activities conducted by municipalities that are required to apply for a stormwater permit, if they have a discharge to a surface water, include: sand and gravel mining; crushed and broken stone operations; rip rap mining and quarrying; landfills, land application sites, and open dumps that receive or have received industrial waste; \*transportation services which have vehicle maintenance shops; equipment cleaning; airport de-icing operations; sewage treatment plants with a design flow above one million gallons per day; construction activities, including clearing, grading, or excavating sites, which disturb five acres or more of land area; and power plants.

***Construction Stormwater Permits***

Construction sites that will disturb five acres or more and will have a discharge of stormwater from the project site to surface water must apply for Ecology's construction stormwater permit. The permit requires application of stabilization and structural practices to reduce the potential for erosion and the discharge of sediments from the site. The stabilization and structural practices cited in the permit are similar to the minimum requirements for sedimentation and erosion control in Volume I of the SWMM.

The permit also requires construction sites within the Puget Sound basin to “select from BMPs described in Volume II of the most recent edition of Ecology’s Stormwater Management Manual (SWMM) that has been available at least 120 days prior to the BMP selection.” Sites outside the basin are required to select BMPs from the manual, from the Erosion and Sediment Control Handbook, by Goldman et al, or to select other appropriate BMPs. The permit also states that where Ecology has determined that the local government requirements for construction sites

are at least as stringent as Ecology's, Ecology will accept compliance with the local requirements.

The existing construction stormwater general permit expires in November 2005. However, that permit was appealed. The parties to the case have entered into a settlement agreement (stipulation and order for dismissal) that stipulates that the construction stormwater general permit must be revised and reissued according to specified dates. Ecology expects the permit will be available by September 2005.

This revised permit will incorporate identified changes and implement applicable USEPA Phase II regulations. According to those regulations, coverage under the Construction General Permit is required for any clearing, grading, or excavating that will disturb one or more acres of land area, and that will discharge stormwater from the site into surface water(s), or into storm drainage systems that discharge to a surface water.

In developing the revised permit, Ecology anticipates drawing upon Minimum Requirement #2 and the BMP's in this volume.

### ***Municipal Stormwater Permits***

#### **NPDES Permit Program for Municipal Stormwater Discharges**

***Phase I.*** Ecology has issued stormwater discharge general permits to the cities of Seattle and Tacoma; the counties of King, Pierce, Clark, and Snohomish; and the discharges from state highways managed by the Department of Transportation within those jurisdictions. These permits contain conditions for compliance with both federal and state requirements and are issued as combined NPDES and State Wastewater Discharge Permits. Ecology intends to combine these existing general permits into a single statewide general permit and reissue the permit in 2005.

***Phase II.*** The EPA adopted Phase II stormwater regulations in December 1999. Those rules identify additional municipalities as subject to NPDES municipal stormwater permitting requirements. Over 100 municipalities in Washington are subject to the requirements. Federal regulations required issuance of Phase II permits by December 2002, and required the Phase II communities to submit their stormwater programs to comply with permit requirements by March 2003. Ecology made a standard permit application format available to municipalities and encouraged all to apply by March 2003. Ecology anticipates issuing the Phase II permit for Western Washington in 2005.



## **Appendix IV-F**

# **Example of an Integrated Pest Management Program**

---

Integrated Pest Management (IPM) is a natural, long-term, ecologically based systems approach to controlling pest populations. This system uses techniques either to reduce pest populations or maintain them at levels below those causing economic injury, or to so manipulate the populations that they are prevented from causing injury. The goals of IPM are to encourage optimal selective pesticide use (away from prophylactic, broad spectrum use), and to maximize natural controls to minimize the environmental side effects.

A step-by-step comprehensive Integrated Pest Management (IPM) Program is provided below as a guide:

### **Introduction**

This section provides a sound cultural approach to managing lawns and landscapes and minimizing runoff. Many homeowners or property managers will be able to implement most or all of this approach, others will wish to hire these services out. For the do-it yourselfer, an array of resources are available to assist in the effort. Landscaping businesses, agricultural extensions, local agencies, master gardener programs, local nurseries and even the library can all provide assistance. Landscaping professionals (businesses) are particularly encouraged to practice IPM.

### **Definition**

“Integrated pest management, or IPM, is an approach to pest control that uses regular monitoring to determine if and when treatments are needed, and employs physical, mechanical, cultural, and biological tactics to keep pest numbers low enough to prevent intolerable damage or annoyance. Least-toxic chemical controls are used as a last resort.”

True IPM is a powerful approach that anticipates and prevents most problems through proper cultural practices and careful observation. Knowledge of the life cycles of the host plants and both beneficial and pest organisms is also important. The IPM section of this study guide is adapted from Least Toxic Pest Management for Lawns by Sheila Daar, Following the IPM process gives you the information you need to minimize damage by weeds, diseases and pests and to treat those problems with the least toxic approaches.

## **The Integrated Pest Management Process**

### **Step One: Correctly identify problem pests and understand their life cycle.**

Learn more about the pest. Observe it and pay attention to any damage that may be occurring. Learn about the life cycle. Many pests are only a problem during certain seasons, or can only be treated effectively in certain phases of the life cycle.

### **Step Two: Establish tolerance thresholds for pests.**

Every landscape has a population of some pest insects, weeds, and diseases. This is good because it supports a population of beneficial species that keep pest numbers in check. Beneficial organisms may compete with, eat, or parasitize disease or pest organisms. Decide on the level of infestation that must be exceeded before treatment needs to be considered. Pest populations under this threshold should be monitored but don't need treatment. For instance, European crane flies usually don't do serious damage to a lawn unless there are between 25 – 40 larvae per square foot feeding on the turf in February (in normal weather years). Also, most people consider a lawn healthy and well maintained even with up to 20% weed cover, so treatment, other than continuing good maintenance practices, is generally unnecessary.

### **Step Three: Monitor to detect and prevent pest problems.**

Regular monitoring is a key practice to anticipate and prevent major pest outbreaks. It begins with a visual evaluation of the lawn or landscape's condition. Take a few minutes before mowing to walk around and look for problems. Keep a notebook, record when and where a problem occurs, then monitor for it at about the same time in future years. Specific monitoring techniques can be used in the appropriate season for some potential problem pests, such as European crane fly.

### **Step Four: Modify the maintenance program to promote healthy plants and discourage pests.**

A healthy landscape is resistant to most pest problems. Lawn aeration and overseeding along with proper mowing height, fertilization, and irrigation will help the grass out-compete weeds. Correcting drainage problems and letting soil dry out between waterings in the summer may reduce the number of crane-fly larvae that survive.

## **Step Five: If pests exceed the tolerance thresholds**

Use cultural, physical, mechanical or biological controls first. If those prove insufficient, use the chemical controls described below that have the least non-target impact. When a pest outbreak strikes (or monitoring shows one is imminent), implement IPM then consider control options that are the least toxic, or have the least non-target impact. Here are two examples of an IPM approach:

- 1. Red thread disease** is most likely under low nitrogen fertility conditions and most severe during slow growth conditions. Mow and bag the clippings to remove diseased blades. Fertilize lightly to help the grass recover, then begin grasscycling and change to fall fertilization with a slow-release or natural-organic fertilizer to provide an even supply of nutrients. Chemical fungicides are not recommended because red thread cannot kill the lawn.
- 2. Crane fly damage** is most prevalent on lawns that stay wet in the winter and are irrigated in the summer. Correct the winter drainage and/or allow the soil to dry between irrigation cycles; larvae are susceptible to drying out so these changes can reduce their numbers. It may also be possible to reduce crane fly larvae numbers by using a power de-thatcher on a cool, cloudy day when feeding is occurring close to the surface. Studies are being conducted using beneficial nematodes that parasitize the crane fly larvae; this type of treatment may eventually be a reasonable alternative.

Only after trying suitable non-chemical control methods, or determining that the pest outbreak is causing too much serious damage, should chemical controls be considered. Study to determine what products are available and choose a product that is the least toxic and has the least non-target impact. Refer to the Operational BMPs for the use of Pesticides below for guidelines on choosing, storing and using lawn and garden chemicals.

## **Step Six: Evaluate and record the effectiveness of the control, and modify maintenance practices to support lawn or landscape recovery and prevent recurrence.**

Keep records! Note when, where, and what symptoms occurred, or when monitoring revealed a potential pest problem. Note what controls were applied and when, and the effectiveness of the control. Monitor next year for the same problems. Review your landscape maintenance and cultural practices to see if they can be modified to prevent or reduce the problem.



A comprehensive IPM Program should also include the proper use of pesticides as a last resort, and vegetation/fertilizer management to eliminate or minimize the contamination of stormwater:

# Appendix IV-G

## Recommendations for Management of Street Wastes

---

### Introduction

This appendix is a summary, taken from the June 1999 draft Ecology publication titled Recommendations for Management of Street Waste (Publication WQ 99-09). The guidance document addresses waste generated from stormwater maintenance activities such as street sweeping and the cleaning of catch basins, and to a limited extent, other stormwater conveyance and treatment facilities. Limited information is available on the characteristics of wastes from detention/retention ponds, bioswales, and similar stormwater treatment facilities. The recommendations provided here may be generally applicable to these facilities, with extra diligence given to waste characterization.

These recommendations do not constitute rules or regulations, but are suggestions for street waste handling, reuse, and disposal using current regulations and the present state of knowledge of street waste constituents. The recommendations are intended to address the liquid and solid wastes collected during routine maintenance of stormwater catch basins, detention/retention ponds and ditches and similar storm water treatment and conveyance structures, and street and parking lot sweeping. In addition to these recommendations, end users and other authorities may have their own requirements for street waste reuse and handling.

**"Street Wastes"** include liquid and solid wastes collected during maintenance of stormwater catch basins, detention/retention ponds and ditches and similar storm water treatment and conveyance structures, and solid wastes collected during street and parking lot sweeping.

**"Street Wastes," as defined here, does not include** solids and liquids from street washing using detergents, cleaning of electrical vaults, vehicle wash sediment traps, restaurant grease traps, industrial process waste, sanitary sewage, mixed process, or combined sewage/stormwater wastes. Wastes from oil/water separators at sites that load fuel are not included as street waste. Street waste also does not include flood debris, land slide debris, and chip seal gravel.

**Street waste does not ordinarily classify as dangerous waste.** The owner of the storm water facility and/or collector of street waste is considered the waste generator and is responsible for determining whether or not the waste designates as dangerous waste. Sampling to date has shown that material from routine maintenance of streets and stormwater facilities does not classify as dangerous waste (See Table G.6 below). However, it is possible that street waste from spill sites could classify as dangerous waste. Street waste from areas with exceptionally high average daily traffic counts may contain contaminants - such as heavy metals, total

petroleum hydrocarbons (TPH), and carcinogenic polycyclic aromatic hydrocarbons (c-PAH) - at levels that limit reuse options.

## Street Waste Solids

**Street waste is solid waste.** While street waste from normal street and highway maintenance is not dangerous waste, it is solid waste, as defined under The Solid Waste Management Act (Chapter 70.95 RCW) and under Minimum Functional Standards for Solid Waste Handling (Chapter 173-304 WAC). Under the Solid Waste Management Act, local health departments have primary jurisdiction over solid waste management. Street waste solids may contain contaminants at levels too high to allow unrestricted reuse. At the time this document is being prepared, the Minimum Functional Standards are being revised. Chapter 173-304 WAC will be replaced with Chapter 173-350 WAC. There are currently no specific references in the Minimum Functional Standards to facilities managing street waste solids. These facilities will typically fit under the section dealing with Piles Used for Storage and Treatment (Section 320 of the proposed revisions). There are no specific references for reuse and disposal options for street wastes in the Minimum Functional Standards, although the Minimum Functional Standards do not apply to clean soils. In the proposed rule, clean soils are defined as ‘soils that do not contain contaminants at concentrations which could degrade the quality of air, waters of the state, soils, or sediments; or pose a threat to the health of humans or other living organisms’ (WAC 173-350-100). Whether or not a soil is a clean soil depends primarily upon the level of contaminants and, to a lesser degree, on the background level of contaminants at a particular location and the exposure potential to humans or other living organisms. Therefore, both the soil and potential land application sites must be evaluated to determine if a soil is a clean soil. Local health departments should be contacted to determine if a street waste meets the definition of “clean soil” when it will be reused as a soil.

There is no simple regulatory mechanism available to classify street waste solids as "clean" for uncontrolled reuse or disposal. Local health districts have historically used the Model Toxics Control Act Cleanup Regulation (MTCA) Method A residential soil cleanup levels to approximate "clean" and to make decisions on land application proposals. These regulations were amended in February 2001. The MTCA regulation is not intended to be directly applied to setting contaminant concentration levels for land application proposals. However, they may provide human health and environmental threat information and a useful framework for such decisions, when used in conjunction with other health and environmental considerations. The local health department should be contacted to determine local requirements for making this determination.

Using the old MTCA regulations, many local health departments have set a criteria of 200 mg/Kg Total Petroleum Hydrocarbons (TPH) for diesel and

heavy fuel oils as a threshold level for clean soil. Using the new MTCA terrestrial ecological evaluation procedures, allowable TPH levels for land application could range from 200 – 460, depending on site characteristics and intended land use. Street waste sampling has historically yielded TPH values higher than 200 mg/kg for hydrocarbons in the diesel and heavy oil range. These values typically reflect interference from natural organic material and, to a lesser extent, relatively immobile petroleum hydrocarbons. The mobile hydrocarbons that are of concern for ground water protection are generally not retained with street waste solids. Ecology's Manchester Lab has developed an analytical method to reduce the problem of natural organic material being included in the TPH analysis for diesel and heavier range hydrocarbons. This new method, called NWTPH-Dx, reduces the background interference associated with vegetative matter by as much as 85% to 95%. However, even with the new methodology, TPH test results for street waste may still be biased by the presence of natural vegetative material and may still exceed 200 mg/kg. . Where the laboratory results report no 'fingerprint' or chromatographic match to known petroleum hydrocarbons, the soils should not be considered to be petroleum contaminated soils.

**Table G.1 - Typical TPH Levels in Street Sweeping and Catch Basin Solids**

<b>Reference:</b>	<b>Street Sweeping (mg/kg)</b>	<b>Catch Basin Solid (mg/kg)</b>
Snohomish County (1) (Landau 1995)	390 – 4300	
King County (1) (Herrera 1995)		123 – 11049 (Median 1036)
Snohomish County & Selected Cities (1) (W & H Pacific, 1993)	163 - 1500 (Median 760)	163 – 1562 (Median 760)
City of Portland (2) (Bresch)		MDL – 1830 (Median – 208)
Oregon (1) (Collins; ODOT 1998)	1600 – 2380	
Oregon (3) (Collins; ODOT 1998)	98 - 125	

- (1) Method WTPH 418.1; does not incorporate new methods to reduce background interference due to vegetative material
- (2) Method NWTPH-Dx
- (3) Method WTPH – HCID

Street waste solids frequently contain levels of carcinogenic PAHs (c-PAH) that make unrestricted use inappropriate. This is complicated further by analytical interference caused by organic matter that raises practical quantitation or reporting limits. To greatly reduce the level of interference, the use of US EPA Test Method 8270, incorporating the silica gel cleanup step, is recommended. The calculated c-PAH value can vary greatly depending upon how non-detect values are handled. The new

MTCA Method A criterion for c-PAH is 0.1 mg/kg (the sum of all seven c-PAH parameters multiplied by the appropriate toxicity equivalency factor)) for unrestricted land uses. The MTCA criteria for soil cleanup levels for industrial properties is 2.0 mg/kg. Following this guidance, most sites where street wastes could be reused as soil will be commercial or industrial sites, or sites where public exposure will be limited or prevented.

**Table G.2 - Typical c-PAH Values in Street Waste Solids and Related Materials**

Sample Source Analyte	City of Everett					WSDOT	
	Street Sweepings	Soil	3-Way Topsoil	Vactor Solids	Leaf & Sand	Sweepings – Fresh	Sweepings Weathered
Benzo(a)anthracene	0.1U	0.076U	0.074U	0.21	0.45	0.56	0.40
Chrysene	0.14	0.09	0.074U	0.32	0.53	0.35	0.35
Benzo(b)fluoranthene	0.11	0.076U	0.074U	0.27	0.52	0.43	0.51
Benzo(k)fluoranthene	0.13	0.076U	0.074U	0.25	0.38	0.39	0.40
Benzo(a)pyrene	0.13	0.076U	0.074U	0.26	0.5	0.41	0.33U
Indeno(1,2,3-cd)pyrene	0.1U	0.076U	0.074U	0.19	0.39	NR	NR
Dibenzo(a,h)anthracene	0.1U	0.076U	0.074U	0.081	0.12	0.39	0.33U
Revised MTCA Benzo(a)pyrene [ND=PQL]	0.215	0.134	0.134	0.388	0.727	0.708	0.597
Benzo(a)pyrene [ND=1/2 PQL]	0.185	0.069	0.067	0.388	0.727	0.708	0.366
Benzo(a)pyrene [See * below]	0.185	0.069	0	0.388	0.727	0.708	0.366
Benzo(a)pyrene [ND=0]	0.155	0.001	0	0.388	0.727	0.708	0.135

\*If the analyte was not detected for any PAH, then ND=0; If analyte was detected in at least 1 PAH, then ND=1/2PQL; If the average concentration (using ND=1/2 PQL) is greater than the maximum detected value, then ND=Maximum value.

The new Method A soil cleanup level for unrestricted land use is 0.1 mg/Kg for BAP. (WAC 173-340-900, Table 740-1)

The new Method A soil cleanup level for industrial properties is 2 mg/Kg for BAP. (WAC 173-340-900, Table 745-1)

**Table G.3 - Typical Metals Concentrations in Catch Basin Sediments**

PARAMETER	Ecology 1993	Thurston 1993	King County 1995	King County 1995
METALS; TOTAL (mg/kg)	(Min – Max)	(Min – Max)	(Min - Max)	Mean
As	<3 -- 24	.39 -- 5.4	4 – 56	0.250
Cd	0.5 -- 2.0	< 0.22 -- 4.9	0.2 – 5.0	0.5
Cr	19 -- 241	5.9 -- 71	13 - 100	25.8
Cu	18 -- 560	25 -- 110	12 - 730	29
Pb	24 -- 194	42 -- 640	4 – 850	80
Ni	33 -- 86	23 -- 51	14 – 41	23
Zn	90 -- 558	97 -- 580	50 – 2000	130
Hg	.04 -- .16	.024 -- .193		

**Permitting of street waste treatment and storage facilities as solid waste handling facilities by the local health department is required.**

Under the Solid Waste Management Act, local health departments have primary jurisdiction over solid waste management

Street waste handling facilities are subject to the requirements of the Minimal Functional Standards for Solid Waste Handling. The specific requirements will depend upon the manner in which the waste is managed. Most facilities will probably be permitted under the section dealing with Piles Used for Storage and Treatment (Section 320 of the proposed revisions)

For most facilities, permit requirements include a plan of operation, sampling, record keeping and reporting, inspections, and compliance with other state and local requirements. The plan of operation should include a procedure for characterization of the waste and appropriate reuse and disposal options, consistent with the recommendations in this document and applicable federal, state and local requirements.

**A street waste site evaluation (see sample at end of this appendix) is suggested for all street waste as a method to identify spill sites or locations that are more polluted than normal.** The disposal and reuse options listed below are based on characteristics of routine street waste and are not appropriate for more polluted wastes. The collector of street waste should evaluate it both for its potential to be classified as dangerous waste and to not meet end users requirements.

**Street waste that is suspected to be dangerous waste should not be collected with other street waste.** Material in catch basins with obvious contamination (unusual color, staining, corrosion, unusual odors, fumes, and oily sheen) should be left in place or segregated until tested. Testing should be based on probable contaminants. Street waste that is suspected to be dangerous waste should be collected and handled by someone experienced in handling dangerous waste. If potential dangerous waste must be collected because of emergency conditions, or if the waste becomes suspect after it is collected, it should be handled and stored separately until a determination as to proper disposal is made. Street waste treatment and storage facilities should have separate "hot load" storage areas for such waste. **Dangerous Waste** includes street waste known and suspected to be dangerous waste. This waste must be handled following the Dangerous Waste Regulations (Chapter 173-303 WAC) unless testing determines it is not dangerous waste.

**Spills should be handled by trained specialists.** Public works maintenance crews and private operators conducting street sweeping or cleaning catch basins should have written policies and procedures for dealing with spills or suspected spill materials. Emergency Spill Response telephone numbers should be immediately available as part of these operating policies and procedures.

**The end recipient of street waste must be informed of its source and may have additional requirements for its use or testing that are not listed here.** This document is based primarily on average street waste's chemical constituents and their potential affect on human health and the environment. There are physical constituents (for example, broken glass or hypodermic needles) or characteristics (for example, fine grain size) that could also limit reuse options. Additional treatment such as drying, sorting, or screening may also be required, depending on the needs and requirements of the end user.

**Street waste treatment and storage facilities owned or operated by governmental agencies should be made available to private waste collectors and other governmental agencies on a cost recovery basis.** Proper street waste collection and disposal reduces the amount of waste released to the environment. The operators of street waste facilities should restrict the use of their facilities to certified and/or licensed waste collectors who meet their training and liability requirements.

**The use of street waste solids under this guidance should not lead to designation as a hazardous waste site, requiring cleanup under MTCA.** Exceeding MTCA Method A unrestricted land use cleanup levels in street waste and products made from street waste, does not automatically make the site where street waste is reused a cleanup site. A site is reportable only if "-a release poses a threat to human health or the environment-" (Model Toxic Control Act). The reuse options proposed below are designed to meet the condition of not posing a threat to human health or the environment.

**Testing of street waste solids will generally be required as part of a plan of operation that includes procedures for characterization of the waste.** Testing frequency, numbers of samples, parameters to be analyzed, and contaminant limit criteria should all be provided as part of an approved plan of operation. Tables G.4 and G.5 below provide some recommended parameters and sampling frequencies for piles of street waste solids from routine street maintenance. These are provided as guidance only, and are intended to assist the utility and the local health department in determining appropriate requirements. Sampling requirements may be modified, over time, based on accumulated data. When the material is from a street waste facility or an area that has never been characterized by testing, the test should be conducted on a representative sample before co-mingling with other material. Testing in these instances would be to demonstrate that the waste does not designate as dangerous waste and to characterize the waste for reuse. At a minimum, the parameters in Table G.4 are recommended for these cases. Note that it will generally not be necessary to conduct TCLP analyses when the observed values do not exceed the recommended values in Table G.4. Table G.6 illustrates some observed relationships between total metals and TCLP metals values.

For further information on testing methods and sampling plans, refer to:

- SW 846 (US EPA, Office of Solid Waste, Test Methods for Evaluating Solid Wastes, 3rd Ed.) and
- Standard Methods for the Examination of Water and Wastewater (American Public Health Association, et al., 18th Edition 1992)

**Table G.4 - Recommended Parameters and Suggested Values for Determining Reuse & Disposal Options**

Parameter	Suggested Maximum Value
Arsenic, Total	20.0 mg/kg (a)
Cadmium, Total	2.0 mg/kg (b)
Chromium, Total	42 mg/kg (c)
Lead, total	250 mg/kg (d)
Nickel	100 mg/kg (e)
Zinc	270 mg/kg (e)
Mercury (Inorganic)	2.0 mg/kg (f)
PAHs (Carcinogenic)	0.1 – 2.0 mg/kg (see Note at (g) below)
TPH (Heavy Fuel Oil)	200 - 460 mg/kg (see Note at (h) below)
TPH (Diesel)	200 – 460 mg/kg (see Note at (h) below)
TPH (Gasoline)	100 mg/kg (i)
Benzene	0.03 mg/kg (i)
Ethylbenzene	6 mg/kg (i)
Toluene	7 mg/kg (i)
Xylenes (Total)	9 mg/kg (i)

(a) Arsenic: from MTCA Method A - Table 740-1: Soil cleanup levels for unrestricted land uses

(b) Cadmium: from MTCA Method A – Table 740-1: Soil cleanup levels for unrestricted land uses s.

(c) Chromium; from MTCA Method A - Table 740-1: Soil cleanup levels for unrestricted land uses

(d) Lead; from MTCA Method A – Table 740-1: Soil cleanup levels for unrestricted land uses

(e) Nickel and Zinc; from MTCA Table 749-2: Protection of Terrestrial Plants and Animals

(f) Mercury; from MTCA Method A – Table 740-1: Soil cleanup levels for unrestricted land uses

(g) PAH-Carcinogenic; from MTCA Method A – Table 740-1: Soil cleanup levels for unrestricted land uses and Table 745-1, industrial properties, based on cancer risk via direct contact with contaminated soil (ingestion of soil) in residential land use situations and commercial/industrial land uses. Note: The local health department may permit higher levels as part of a Plan of Operation, where they determine that the proposed end use poses little risk of direct human contact or ingestion of soil.

(h) TPH: from MTCA Tables 749-2 & 749-3: Protection of Terrestrial Plants and Animals. Values up to 460 mg/kg may be acceptable where the soils are capped or covered to reduce or prevent exposure to terrestrial plants and animals. Where the laboratory results report no ‘fingerprint’ or chromatographic match to known petroleum hydrocarbons, the soils will not be considered to be petroleum contaminated soils.

(i) BETX; from MTCA Method A - Table 740-1: Soil cleanup levels for unrestricted land uses.



**Table G.5 - Recommended Sampling Frequency for Street Waste Solids**

Cubic Yards of Solids	Minimum Number of Samples
0 – 100	3
101 – 500	5
501 – 1000	7
1001 – 2000	10
>2000	10 + 1 for each additional 500 cubic yards

*Modified from Ecology's Interim Compost Guidelines*

**Table G.6 - Pollutants in Catch Basin Solids – Comparison to Dangerous Waste Criteria**

PARAMETER	Range of Values in Catch Basin Waste	Range of Values in Catch Basin Waste	Dangerous Waste Criteria
METALS	Total Metals (mg/kg)	TCLP Metals (mg/kg)	TCLP values (mg/l)
As	<3 - 56	< .02 - 0 .5	5.0
Cd	<.22 - 5	.0002 - .03	1.0
Cr	5.9 - 241	.0025 - .1	5.0
Cu	12 - 730	.002 -- .88	none
Pb	4 - 850	.015 -- 3.8	5.0
Ni	23 - 86	< .01 -- .36	none
Zn	50 - 2000	.04 -- 6.7	none
Hg	.02 - .19	.0001 -- .0002	0.2

*Data from Thurston County (Thurston County 1993), King County (Herrera 1995) and Ecology (Serdar; Ecology 1993).*

**For street waste not exceeding the suggested maximum values in Table G.4, the following street waste solids reuse and disposal options are recommended:**

- Street sweepings that consist primarily of leaves, pine needles and branches, and grass cuttings from mowing grassy swales can be composted. Litter and other foreign material must be removed prior to composting or the composting facility must provide for such removal as part of the process. The screened trash is solid waste and must be disposed of at an appropriate solid waste handling facility.
- Coarse sand screened from street sweeping after recent road sanding, may be reused for street sanding, providing there is no obvious contamination from spills. The screened trash is solid waste and must be disposed of at an appropriate solid waste handling facility.
- Roadside ditch cleanings, not contaminated by a spill or other release and not associated with a stormwater treatment system such as a bioswale, may be screened to remove litter and separated into soil and vegetative matter (leaves, grass, needles, branches, etc.). The soils

from these activities are not generally regulated as solid waste. Ditching material that may be contaminated must be stored, tested and handled in the same manner as other street waste solids. It is the generator's responsibility to visually inspect and otherwise determine whether the materials may be contaminated.

- Construction street wastes - solids collected from sweeping or in storm water treatment systems at active construction sites - may be placed back onto the site that generated it, or managed by one on the methods listed below, provided that it has not been contaminated as a result of a spill. For concrete handling at construction site, refer to BMP C151 in Volume II, Construction Stormwater Pollution Prevention.
- Screened street waste soils may be used as feedstock materials for topsoil operations. This option should be reserved for street waste soils with very low levels of contaminants. Diluting street waste soils with clean soils or composted material must not be used as a substitute for treatment or disposal. There may be physical contaminants (for example, glass, metal, nails, etc.) in street waste that cannot be entirely screened from the waste. Where present, these contaminants in street waste could preclude its use as feedstock material for topsoil operations.
- Fill in parks, play fields, golf courses and other recreational settings, where direct exposure by the public is limited or prevented. One way to accomplish is to cover the fill with sod, grass or other capping material to reduce the risk of soil being ingested. The level of contaminants in the street waste must be evaluated to ensure that the soils meet the definition of clean soils when used in this manner.
- Fill in commercial and industrial areas, including soil or top dressing for use at industrial sites, roadway medians, airport infields and similar sites, where there is limited direct human contact with the soil, and the soils will be stabilized with vegetation or other means. The level of contaminants in the street waste must be evaluated to ensure that the soils meet the definition of clean soils when used in this manner.
- Top dressing on roadway slopes, road or parking lot construction material and road subgrade, parking lot subgrade, or other road fill. The level of contaminants in the street waste must be evaluated to ensure that the soils meet the definition of clean soils when used in this manner.
- Daily cover or fill in a permitted municipal solid waste landfill, provided the street waste solids have been dewatered. Street waste solids may be acceptable as final cover during a landfill closure. The local health department and landfill operator should be consulted to determine conditions of acceptance.
- Treatment at a permitted contaminated soil treatment facility.

- Recycling through incorporation into a manufactured product, such as Portland cement, prefab concrete, or asphalt. The facility operator should be consulted to determine conditions of acceptance.
- Other end-use as approved by the local health department
- Disposal at an appropriate solid waste handling facility.

**For street waste that exceed the suggested maximum values in Table G.4, the following street waste solids reuse and disposal options are recommended:**

- Treatment at a permitted contaminated soil treatment facility.
- Recycling through incorporation into a manufactured product, such as Portland cement, prefab concrete, or asphalt. The facility operator should be consulted to determine conditions of acceptance.
- Other end-use as approved by the local health department
- Disposal at an appropriate solid waste handling facility.

## **Street Waste Liquids**

**Street waste collection should emphasize solids in preference to liquids.** Street waste solids are the principal objective in street waste collection and are substantially easier to store and treat than liquids.

**Street waste liquids require treatment and/or must follow location limitations before their discharge.** Street waste liquids usually contain high amounts of suspended and total solids and adsorbed metals. Treatment requirements depend on the discharge location.

**Discharges to sanitary sewer and storm sewer systems must be approved by the entity responsible for operation and maintenance of the system.** Ecology will not generally require waste discharge permits for discharge of stormwater decant to sanitary sewers or to stormwater treatment BMPs constructed and maintained in accordance with Ecology's Stormwater Management Manual for Western Washington. (See Volume 5 for further detail).

**The following disposal options are recommended, in order of preference, for catch basin decant liquid and for water removed from stormwater treatment facilities.**

Under the Municipal General Permit, municipalities are required to use this guidance in determining appropriate means of dealing with street wastes from stormwater maintenance activities. Your regional Department of Ecology water quality staff can help you with treatment standards and permit requirements for your particular situation.

**Discharge of catch basin decant liquids to a municipal sanitary sewer connected to a Public Owned Treatment Works (POTW) is the preferred disposal option.** Discharge to a municipal sanitary sewer requires the approval of the sewer authority. Street waste liquids discharged to a POTW may be treated at a combined street waste liquid and solid facility (decant facility) or at separate liquids only facilities. These liquid only facilities may consist of modified type 2 catch basins (with a flow restrictor or oil/water separator) or water quality vaults, strategically located through the sanitary collection system. These should provide 24-hour detention for the expected volumes and should be constructed and operated to ensure that the decant discharge does not resuspend sediments. Sewer authorities should require periodic sampling and decant facility operators should test their waste effluent on a regular basis, but street waste decant liquid should meet the most restrictive local limits with 24 hours of undisturbed gravity settling. Overnight settling is more practical and will likely meet most local pretreatment requirements. (See Table G.9 *Catch Basin Decant Values Following Settling* for typical catch basin decant values from King County's decant facility at Renton).

State and local regulations generally prohibit discharge of stormwater runoff into sanitary sewers, to avoid hydraulic overloads and treatment performance problems. The volume of storm water discharged from catch basins and small stormwater treatment facilities is generally not sufficient to be a problem, provided the discharge point is properly selected and designed.

**Stormwater removed from catch basins and stormwater treatment wetvaults may be discharged into a Basic or Enhanced Stormwater Treatment BMP.**

Decant liquid collected from cleaning catch basins and stormwater treatment wetvaults may be discharged back into the storm sewer system under the following conditions:

- The preferred disposal option of discharge to sanitary sewer is not reasonably available, **and**
- The discharge is to a Basic or Enhanced Stormwater Treatment Facility (See Volume V, Chapters 3 and 4), **and**
- The storm sewer system owner/operator has granted approval and has determined that the treatment facility will accommodate the increased loading.

Pretreatment may be required to protect the treatment BMP.

Reasonably available will be determined by the stormwater utility and by the circumstances, including such factors as distance, time of travel, load restrictions, and capacity of the stormwater treatment facility. Some jurisdictions may choose not to allow discharge back to the storm sewer

system. Currently King County does not allow such discharges, under King County Code 9.12 – Water Quality.

**Discharge back into the storm sewer is an acceptable option, under certain conditions:**

- Other practical means are not reasonably available, **and**
  - Pretreatment is provided by discharging to a modified type 2 catch basin (with a flow restrictor or oil/water separator) or water quality vault, **and**
  - The discharge is upstream of a basic or enhanced stormwater treatment BMP, **and**
  - The storm sewer system owner/operator has granted approval.
- Other practical means includes the use of decanting facilities and field decant sites that discharge to sanitary sewers or discharge to an approved stormwater treatment BMP.

Limited field testing of flocculent aids has been conducted. While the use of flocculent aids is promising, sufficient testing has not been conducted to allow approval of any specific product or process. In general, the following conditions must be met for flocculent use to be approved:

- The flocculent must be non-toxic under circumstances of use and approved for use by the Department of Ecology
- The decant must be discharged to an approved basic or enhanced stormwater treatment BMP, with sufficient capacity and appropriate design to handle the anticipated volume and pollutant loading
- The discharge must be approved by the storm sewer system owner/operator.

**Water removed from stormwater ponds, vaults and oversized catch basins may be returned to storm sewer system.** Stormwater ponds, vaults and oversized catch basins contain substantial amounts of liquid, which hampers the collection of solids and pose problems if the removed waste must be hauled away from the site. Water removed from these facilities may be discharged back into the pond, vault or catch basin provided:

- Clear water removed from a stormwater treatment structure may be discharged directly to a downgradient cell of a treatment pond or into the storm sewer system.
- Turbid water may be discharged back into the structure it was removed from if
  - the removed water has been stored in a clean container (eductor truck, Baker tank or other appropriate container used specifically for handling stormwater or clean water) and

- there will be no discharge from the treatment structure for at least 24 hours.
- The discharge must be approved by the storm sewer system owner/operator.

Vegetation management and structural integrity concerns sometimes require that the ponds be refilled as soon after solids removal as possible. For ponds and other systems relying on biological processes for waste treatment, it is often preferable to reuse at least some portion of the removed water.

**Table G.7 - Typical Catch Basin Decant Values Compared to Surface Water Quality Criteria**

PARAMETER	State Surface Water Quality Criteria		Range of Values Reported	Range of Values Reported
	Freshwater Acute (ug/l – dissolved metals)	Freshwater Chronic (ug/l – dissolved metals)	Total Metals (ug/l)	Dissolved Metals (ug/l)
Arsenic	360	190	100 – 43000	60 - 100
Cadmium*	2.73	0.84	64 - 2400	2 - 5
Chromium (total)			13 -- 90000	3 - 6
Chromium (III)*	435	141		
Chromium (VI)	0.5	10		
Copper*	13.04	8.92	81 -- 200000	3 - 66
Lead*	47.3	1.85	255 -- 230000	1 - 50
Nickel*	1114	124	40 -- 330	20 - 80
Zinc*	90.1	82.3	401 -- 440000	1900 - 61000
Mercury	2.10	.012	0.5 -- 21.9	

\*Hardness dependent; hardness assumed to be 75 mg/l

**Table G.8 - Typical Values for Conventional Pollutants in Catch Basin Decant**

PARAMETER	Ecology 1993	(Min - Max)	King County 1995	(Min - Max)
Values as mg/l; except where stated	Mean		Mean	
pH	6.94	6.18 - 7.98	8	6.18 - 11.25
Conductivity (umhos/cm)	364	184 - 1110	480	129 - 10,100
Hardness (mg/l CaCO3)	234	73 - 762		
Fecal Coliform (MPN/100 ml)	3000			
BOD	151	28 - 1250		
COD	900	120 - 26,900		
Oil & Grease	11	7.0 - 40	471	15 - 6242
TOC	136	49 - 7880	3670	203 - 30,185
Total Solids	1930	586 - 70,400		
Total Dissolved Solids	212	95 - 550		
Total Suspended Solids	2960	265 - 111,000		
Settleable Solids (ml/l/hr)	27	2 - 234	57	1 - 740
Turbidity (ntu)	1000	55 - 52,000	4673	43 - 78,000

**Table G.9 - Catch Basin Decant Values Following Settling<sup>1</sup>**

Parameter; Total Metals in mg/l	Portland – Inverness Site Min - Max	King County - Renton Min - Max	METRO Pretreatment Discharge Limits
Arsenic	.0027 .015	< MDL – 0.12	4
Cadmium	.0009 - .0150	< MDL – 0.11	0.6
Chromium	.0046 - .0980	.017 – .189	5
Copper	.015 - .8600	.0501 – .408	8
Lead	.050 – 6.60	.152 – 2.83	4
Nickel	.0052 - .10	.056 - .187	5
Silver	.0003 - .010	< MDL	3
Zinc	.130 – 1.90	.152 – 3.10	10
Settleable Solids; ml/L	No Data	.02 - 2	7
Nonpolar FOG	5.7 - 25	5 - 22	100
Ph (std)	6.1 – 7.2	6.74 – 8.26	5.0 - 12.0
TSS	2.8 - 1310		
Recorded Total Monthly Flow; Gallons	Data not available	31,850 - 111,050	
Recorded Max. Daily Flow; Gallons	Data not available	4,500 - 18,600	25,000 GPD
Calculated Average Daily Flow; GPD	Data not available	1517 - 5428	

1) Data from King County’s Renton Facility (data from 1998 – 199) and the City of Portland’s Inverness Site (data from 1999 – 2001); detention times not provided

## Site Evaluation

**A site evaluation is suggested as method to identify spill sites or locations that are more polluted than normal.**

The site evaluation will aid in determining if waste should be handled as dangerous waste and in determining what to test for if dangerous waste is suspected. The site evaluation will also help to determine if the waste does not meet the requirements of the end users.

There are three steps to a site evaluation:

1. An **historical review** of the site for spills, previous contamination and nearby toxic cleanup sites and dangerous waste and materials.

The historical review will be easier if done on an area wide basis prior to scheduling any waste collection. The historical review should be more thorough for operators who never collected waste at a site before. At a minimum, the historical review should include operator knowledge of the area's collection history or records kept from previous waste collections.

Private operators should ask the owner of the site for records of previous contamination and the timing of the most recent cleaning. Ecology's Hazardous Substance Information Office maintains a Toxic Release Inventory and a "Facility Site" webpage, tracking more than 15,000 sites. This information is available through the Internet at <http://www.wa.gov/ecology/iss/fsweb/fshome.html> or by calling a toll-free telephone number (800-633-7585). The webpage allows anyone with web-access to search for facility information by address, facility name, town, zip code, and SIC code, etc. It lists why the Department of Ecology is tracking each one (NPDES, TSCA, RCRA, Clean Air Act, etc.), as well as who to call within Ecology to find out more about the given facility.

2. An **area visual inspection** for potential contaminant sources such as a past fire, leaking tanks and electrical transformers, and surface stains.

The area around the site should be evaluated for contaminant sources prior to collection of the waste. The area visual inspection may be done either as part of multiple or as single site inspections. If a potential contaminant source is found, the waste collection should be delayed until the potential contaminant is assessed.

A second portion of the area visual inspection is a subjective good housekeeping evaluation of the area. Locations with poor housekeeping commonly cut corners in less obvious places and should be inspected in greater detail for illegal dumping and other contamination spreading practices.



3. **A waste and container inspection** before and during collection.

The inspection of the waste and catch basin or vault is the last and perhaps most critical step in the site evaluation.

For example, if the stormwater facility has an unusual color in or around it, then there is a strong possibility that something could have been dumped into it. Some colors to be particularly wary of are yellow-green from antifreeze dumping and black and/rainbow sheen from oil and/or grease dumping. In addition, if any staining or corrosion is observed, then a solvent may have been dumped.

Fumes are also good indicators of potential dangerous or dangerous waste. Deliberate smelling of catch basins should be avoided for worker safety, but suspicious odors may be encountered from catch basins thought to be safe. Some suspicious odors are rotten eggs (hydrogen sulfide is present), gasoline or diesel fumes, or solvent odors. If unusual odors are noted, contact a dangerous waste inspector before cleaning the basin.

*Finally, operator experience is the best guide to avoid collection of contaminated waste.*

## **Resource Materials – Management of Street Wastes**

- Austin, City of, Removal Efficiencies of Stormwater Control Structures. Environmental and Conservation Services Department, 1990.
- City of Portland Vactor Waste Decant Data, Personal Communication with Katie Bretsch, April 2000
- Campbell, Robert, Street Waste Characterization Testing Program, VTP-1, Snohomish County Public Works Maintenance & Operations Division, March 1994.
- Collins, Jay, Oregon Department of Transportation, Street Waste Issues and Options FHWA-OR-RD-99-05, July 1998
- Ecology, Interim TPH Policy, Publication N. ECY 97-600, 1997.
- Ecology, Analytical Methods for Petroleum Hydrocarbons, Publication No. ECY 97-602, June 1997.
- Ecology, Dangerous Waste Regulations, Chapter 173-303 WAC.
- Ecology, Discussion Draft - Recommendations for Management of Street Waste, June 1999
- Ecology, Draft Minimum Functional Standards for Solid Waste Handling, Chapter 173-350 WAC, December 1999.
- Ecology, Guidance for Remediation of Petroleum Contaminated Soils, pub 91-30, 1994.
- Ecology, Minimum Functional Standards for Solid Waste Handling, Chapter 173-304 WAC.
- Ecology, Model Toxics Control Act (MTCA) Cleanup Regulations, Chapter 173-340 WAC
- Ecology, Water Quality Standards For Surface Waters of the State of Washington, Chapter 173-201A.
- Hazardous Waste Management Act of 1976, Chapter 70.105 RCW
- Herrera Environmental Consultants, Inc., King County Maintenance Waste Disposal Characterization Study, prepared for King County Surface Water Management Division, January Draft, 1995.
- Herrera Environmental Consultants, Inc., Street Truck Operations and Disposal Practices, 1991.
- Holz, Thomas, Street Waste Disposal, Thurston County, Washington: Final Engineering Report and One Year Certification, Grant No. Tzx 91-129, May, 1994.
- Jacobson, Michael, Data Summary of Catch Basin and Vactor Waste Contamination in Washington State, Final Report, Center for Urban Water Resources, University of Washington, 1993.
- King County, Vactor Waste Disposal Plan, King County Surface Water Management Division, Water Quality Unit, 1994.
- King County's Renton Facility Decant Data, Personal Correspondence with Jerry Creek, and Susan Turner, June 1999
- Landau Associates, Inc. Snohomish County Street Waste Characterization, Final Report, December 1995

- Pitt, R. and P. Bissonette, Bellevue Urban Runoff Program; Summary Report, Prepared for City of Bellevue Storm and Surface Water Utility, 1984.
- Pitt, R., 1985, Characterizing and Controlling Urban Runoff through Street and Sewer Cleaning, EPA/600/2-85/038
- Pond, Rodney, South Base Pond Report - The Response of Wetland Plants to Stormwater Runoff From a Transit Base, Municipality of Metropolitan Seattle Publication 775, 1993.
- Schueler, Thomas, R., Pollutant Dynamics of Pond Muck, Wat. Prot. Techniques, 1 (2). Summer 1994
- Serdar, Dave, Ecology, Contaminants in Vector Truck Wastes, April 1993
- Thurston County Environmental Health Division, (Environmental Health Division-Unpublished data), 1993
- Thurston County Environmental Health Division, Report on Street Facility Monitoring Grant Tax No. 91-129, April 1993
- TYMCO, Inc. Best Management Practices - Street Sweeping, Waco, Texas, 1993.
- US Environmental Protection Agency, "Methods for Evaluating Solid Waste, Physical/ Chemical
- US Environmental Protection Agency, Test Methods for Evaluating Solid Wastes, (SW-846), 3<sup>rd</sup> Edition, 1986.
- W&H Pacific, Inc., Street and Street Sweeping Waste Characteristics Snohomish County, Washington, February 1994.