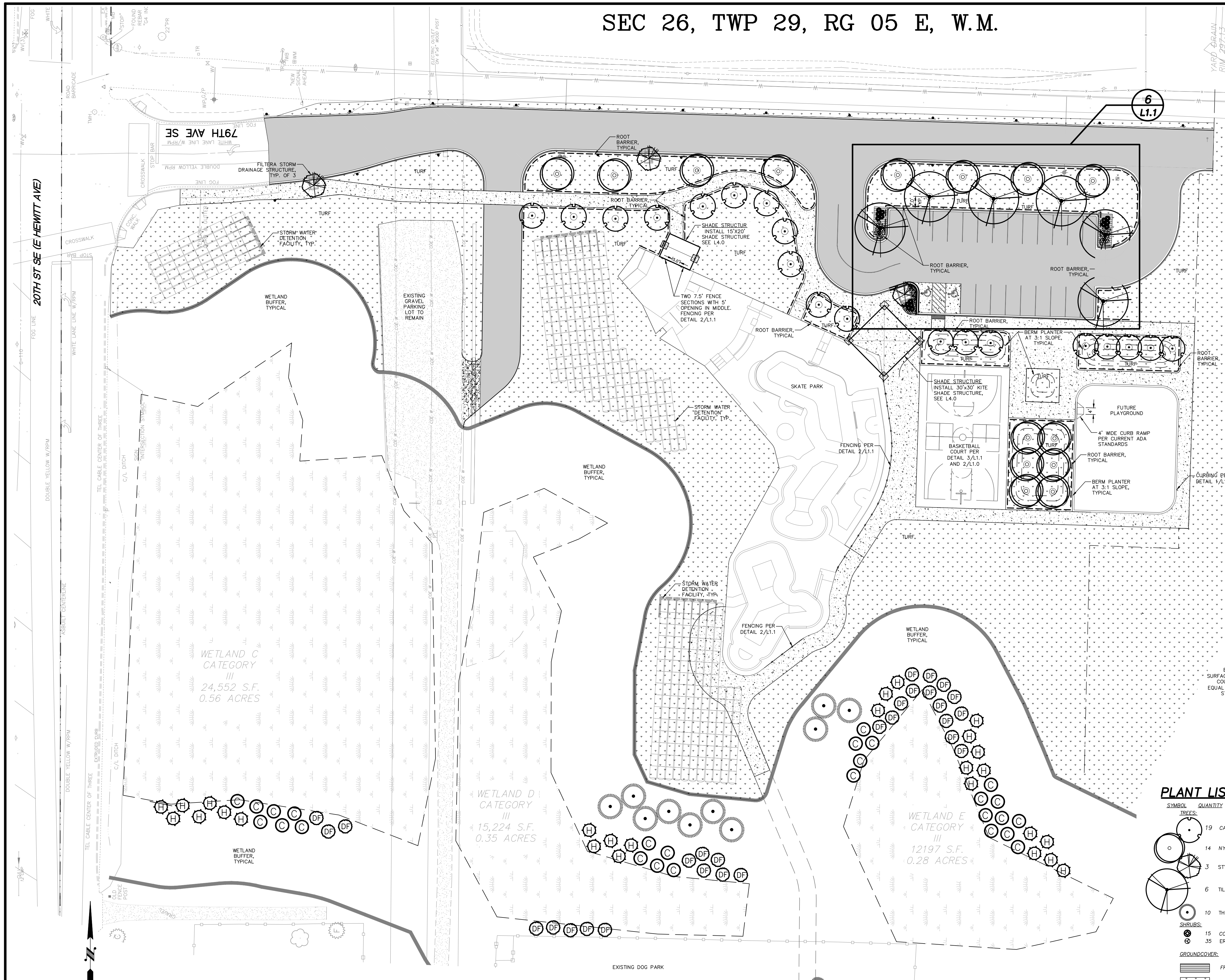


SEC 26, TWP 29, RG 05 E, W.M.



LANDSCAPE NOTES:

- ALL TREES ARE TO BE STAKED AS SHOWN ON DETAIL 5/L1.1.
- PLANTING AREAS TO RECEIVE 4" MIN. DEPTH OF AMENDED THREE WAY TOPSOIL. SUB-GRADES SHALL BE SCARIFIED, CLEARED OF ALL WEEDS, ROCKS, AND DEBRIS, AND ROUGH GRADED. TOPSOIL SHALL BE ROTOTILLED INTO SUB-GRADE TO A MIN DEPTH OF 8".
- ALL NEW OR DISTURBED TURF AREAS SHALL BE AUGMENTED WITH A 4" INCHES LAYER OF FULLY COMPOSTED ORGANIC SOIL MATERIAL CULTIVATED A MINIMUM OF 8" DEEP INTO EXISTING SOIL. LIGHTLY COMPACTED AND FINE GRADED PER INDUSTRY STANDARDS PRIOR TO HYDROSEEDING OR SOD APPLICATION.
- ALL PLANTING BEDS TO RECEIVE A MINIMUM OF 2" DEPTH OF MULCH TOP-DRESSING (STEERCO, FERTILE MULCH, CEDAR GROVE COMPOST OR LIKE PRODUCT).
- PLANTS SHALL BE TRUE TO SPECIES, HEALTHY, WELL FORMED AND IN EXCELLENT CONDITION.
- ALL STREET AND PARKING LOT DECIDUOUS TREES SHALL BE BRANCHED APPROXIMATELY 5' OFF THE GROUND.
- ALL TREES PLANTED IN GRASS AREAS, EITHER NEW OR RETAINED, SHALL HAVE A 4' DIAMETER CIRCLE CUT OUT OF GRASS AND COVERED WITH 2" DEPTH OF MULCH. CUT OUT OF ABOVE FOR MULCH.
- USE NO PRE-EMERGENT HERBICIDES ON THIS PROJECT SITE DURING CONSTRUCTION THROUGH THE FIRST YEAR WARRANTY PERIOD.
- CONTRACTOR TO VERIFY INSTALLATION CONDITIONS AND PLANT LAYOUT WITH OWNERS REPRESENTATIVE PRIOR TO INSTALLATION OF PLANT MATERIAL.
- FERTILIZE ALL NEW TREES AND SHRUBS WITH 6-4-3 TRANSPILANT FERTILIZER PER MANUFACTURERS SPECIFICATIONS.
- CONTRACTOR IS RESPONSIBLE FOR ALL LANDSCAPE AND IRRIGATION RELATED PERMITS AND FEES.
- CONTRACTOR SHALL ENSURE PROPER DRAINAGE FOR ALL LANDSCAPE AND TURF AREAS. IN NO SITUATION SHALL THERE BE STANDING WATER IN TURF OR PLANTING BEDS.
- TREE STAKES SHALL BE INSTALLED IN A CONSISTENT DIRECTION, PARALLEL WITH 179TH AVE SE.
- FINISHED GRADES FOR ALL LANDSCAPE AREAS ADJACENT TO CURBS OR PAVING SHALL BE AT THE ELEVATION OF THE TOP OF THE CURBS OR PAVING.
- ALL PROPOSED PLANTS SHALL CONFORM TO AMERICAN ASSOCIATION OF NURSERYMEN (AAN) GRADES AND STANDARDS AS PUBLISHED IN THE "AMERICAN STANDARD FOR NURSERY STOCK" CURRENT MANUAL AND CURRENT ANSI Z60 STANDARDS.
- BERMED PLANTING AREAS SHALL BE BERMED WITH SCREENED ON SITE TOPSOIL, APPROVED BY OWNERS REPRESENTATIVE, OR AN IMPORTED TOPSOIL APPROVED BY OWNERS REPRESENTATIVE.

SHADE STRUCTURES NOTES:

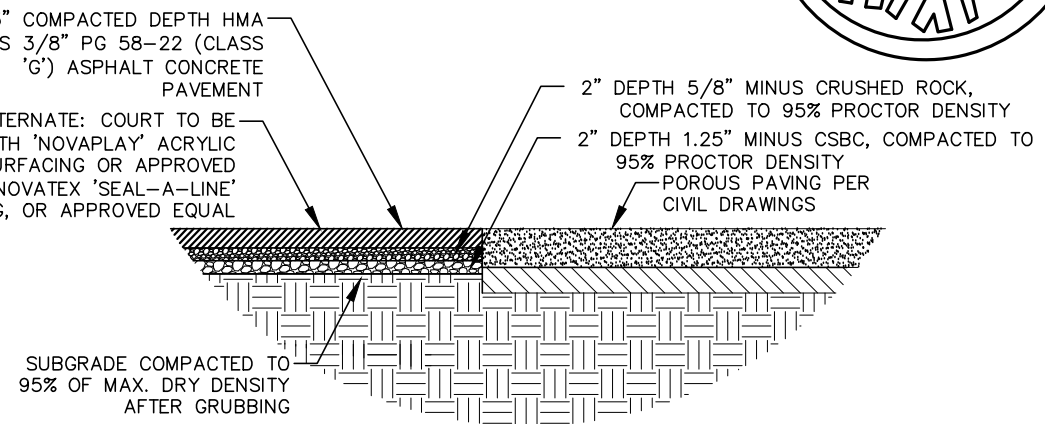
INSTALL OWNER PROVIDED SHADE STRUCTURES PER MANUFACTURES SPECIFICATIONS. NORTH STRUCTURE IS A TWO POST, "T-CANTILEVER" 15'x20' UNIT AND SOUTH STRUCTURE IS A 4 POST SAIL STRUCTURE, SEE SHEET L4.0

BID ALT. 1 COURT SURFACE:

SURFACE AND STRIPE BASKETBALL COURT WITH 'NOVAPLAY' ACRYLIC COURT SURFACING OR APPROVED EQUAL AND NOVATEX 'SEAL-A-LINE' STRIPING, OR APPROVED EQUAL. APPLY TWO COLORS AND WHITE LINE STRIPING. COLORS TO BE DETERMINED BY COUNTY REPRESENTATIVE.

LEGEND

- HYDROSEED TURF FOR ALL DISTURBED AREAS
- ROOT BARRIER, SEE DETAIL 2/L3.0



2 L1.0 BASKETBALL COURT SECTION
SCALE: NTS

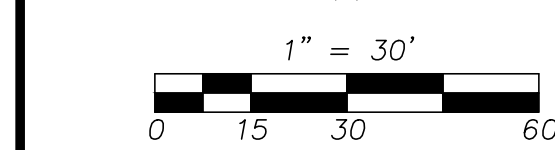
PLANT LIST:

SYMBOL	QUANTITY	SCIENTIFIC NAME	COMMON NAME	PLANTING SIZE	COMMENTS
TREES:					
(19)	19	CARPINUS CAROLINIANA 'NATIVE FLAME'	NATIVE FLAME AMERICAN HORNBEAM	2" CAL.	B. AND B., MATCHED
(14)	14	NYSSA SYLVATICA 'HAYMANRED'	RED RAGE TUPELO	2" CAL.	B. AND B., MATCHED
(3)	3	STYRAX JAPONICUM 'SNOW CHARM'	JAPANESE SNOWBELL 'SNOW CHARM'	1.5" CAL.	B. AND B., MATCHED BRANCHED NO LOWER THAN 3.5'
(6)	6	TILIA CORDATA 'GREENSPIRE'	GREENSPIRE LINDEN	2" CAL.	B. AND B., MATCHED
(10)	10	THUJA PLICATA	WESTERN RED CEDAR	6" - 8" HT.	B. AND B.
SHRUBS:					
(15)	15	CORNUS STOLONIFERA 'KELSEY'	DWARF RED-TWIG DOGWOOD	1-GAL	CONTAINER
(35)	35	ERICA CARNEA 'RUBY GLOW'	RUBY GLOW HEATH	1-GAL	CONTAINER
NOTES: ALL GROUNDCOVER IN 4" POTS SHALL BE PLANTED 15" O.C. AND TRIANGULARLY SPACED					
(FRAGARIA CHILOENSIS)		FRAGARIA CHILOENSIS	BEACH STRAWBERRY	4" POTS	CONTAINER
(HYDROSEED)		HYDROSEED	ALL DISTURBED AREAS		
REPLACEMENT TREES:					
(DF)	28	PSEUDOTSUGA MENZIESII	DOUGLAS FIR	1-GAL	CONTAINER
(C)	26	THUJA PLICATA	WESTERN RED CEDAR	1-GAL	CONTAINER
(H)	26	TSUGA HETEROPHYLLA	WESTERN HEMLOCK	1-GAL	CONTAINER

REPLACEMENT TREE PLANTING NOTE: ALL #1-GAL SIZED TREES TO BE PLANTED APPROXIMATELY 10' ON CENTER UNPUBLISHED WORK COPYRIGHT © 2018 BY KEVIN J. TEAGUE, P.L.A., A.S.A.

1 L1.0 LANDSCAPE PLAN
SCALE: 1" = 30'

CALL DIAL-A-DIG
AT 1-800-424-5555
A MINIMUM OF 48 HOURS
BEFORE CONSTRUCTION BEGINS



06-22-18 PERMIT SET
09-12-18 REV. PER CITY
12-06-18 REV. PER CITY OF EVY.
WATER DIST. COMMENTS
12-18-18 APPROVED FOR CONST.
04-09-19 ADDENDUM 1

REVISIONS

DWN. BY: RJT
CHK. BY: JY
DATE: 06-22-18
JOB #:
F/B #/ N/A
SCALE: AS SHOWN

Snohomish County
WASHINGTON
Parks, Recreation & Tourism Department
6705 Puget Park Drive Snohomish, WA 98296

STATE OF WASHINGTON
REGISTERED
LANDSCAPE ARCHITECT
KEVIN J. TEAGUE
CERTIFICATE NO. 724
04-09-19

CAVALERO HILL PARK
7708 20TH STREET SE
LAKE STEVENS, WA 98205
PHASE 1 - SKATEPARK
LANDSCAPE PLAN

DRAWING:
L1.0
SHEET: OF